

# Squirt A Gator



Be Sure  
to Read this  
Manual  
Before Use

(For 4" capsule)

## Operation Manual



[www.universal-space.com](http://www.universal-space.com)



Thank you for purchasing **Squirt A Gator**. We hope you enjoy the product.

This manual contains valuable information about how to operate and maintain your game machine properly and safely. It is intended for the owner and/or personnel in charge of product operation. Carefully read and understand the instructions.

If you need any help during installation and setup please utilize this manual and troubleshooting guide. If the product fails to function properly, *non-technical personnel should under no circumstance attempt to service the machine*. Contact your distributor or manufacturer for help.

Before use, please read **IMPORTANT SAFETY INSTRUCTIONS**.

## IMPORTANT SAFETY INSTRUCTIONS

**To ensure the safe usage of this product, carefully read and understand these instructions before operating your game.**

**Save these instructions for future reference.**

Use this product only as described in this manual. Other uses not recommended may cause fire, electric shock or personal injury. Unplug the game from the outlet when not in use, when moving from one location to another, and before cleaning/servicing.

Explanations which require special attention are indicated by signs of warning. Depending on the potential hazardous degree, the terms: **NOTE**, **NOTICE**, and **WARNING** are used.

**NOTE:** A NOTE indicates useful hints or information about product usage.

**NOTICE:** A NOTICE indicates potential damage to product and how to avoid the problem.

**WARNING:** A WARNING indicates a potential for product damage or serious personal injury.

It is important to understand the meaning of the following HAZARD SIGNS before continuing:

### High Voltage and Shock Hazard:

High voltage can cause electric shock.  
Turn off/unplug power before servicing.



### High Temperature Hazard:

This part may cause scalding.  
Do not touch. Surface may be hot.



### No Touching Hazard:

This part may be hot or can cause electric shock.  
Do not touch.



Use the following safety guidelines to help ensure your own personal safety and to help protect your equipment and surrounding environment from potential damage.

 **This product is an indoor game machine. Do not install outdoors.**

Avoid installing in the following places to prevent fire, electric shock, injury and/or machine malfunctioning:

- Places subject to rain/moisture, or places subject to high humidity.
- Places subject to direct sunlight, or places subject to extremely hot or cold temperatures to ensure that it is used within the specified operating range.
- Places where inflammable gas may be present or in the vicinity of highly inflammable/volatile chemicals or items that can easily catch fire
- On unstable or sloped surfaces. The machine may topple or cause unforeseen accidents.
- Vicinity of fire exits, fire extinguishers etc that may block/prevent safety measures

**IMPORTANT NOTE:**

**ALL REPAIRS MUST BE DONE TO ORIGINAL MANUFACTURER SPECIFICATIONS. FAILURE TO DO SO VOID ALL WARRANTIES AND OPERATOR ASSUMES ALL RISKS.**

Note: The contents of this manual may be updated without notice.

---

# CONTENT

IMPORTANT SAFETY INSTRUCTIONS .....	1
1. SPECIFICATIONS .....	4
2. PACKAGE CONTENTS .....	5
3. PART NAME .....	6
4. SET UP & INSTALLATION .....	7
5. HOW TO PLAY.....	10
6. PARAMETER SETTINGS .....	11
7. ERROR MESSAGE AND RECOVERY .....	16
8. MAINTENANCE & INSPECTION .....	17
9. OVERALL CONSTRUCTION.....	21
10. DECAL .....	43

**Non-technical personnel who do not have technical knowledge and Expertise should refrain from performing such work that this manual require or perform tasks which are not explained in this manual. Failing to comply can cause severe accidents such as electric shock or other serious injuries. All repairs must be performed to original manufacturer specifications.**

**WARNING: To reduce the risk of fire, electric shock or personal injury, unplug or disconnect the machine from the power supply before servicing.**

# 1. SPECIFICATIONS

Rated power supply: AC110V 50/60Hz

Min. Power consumption: 40W

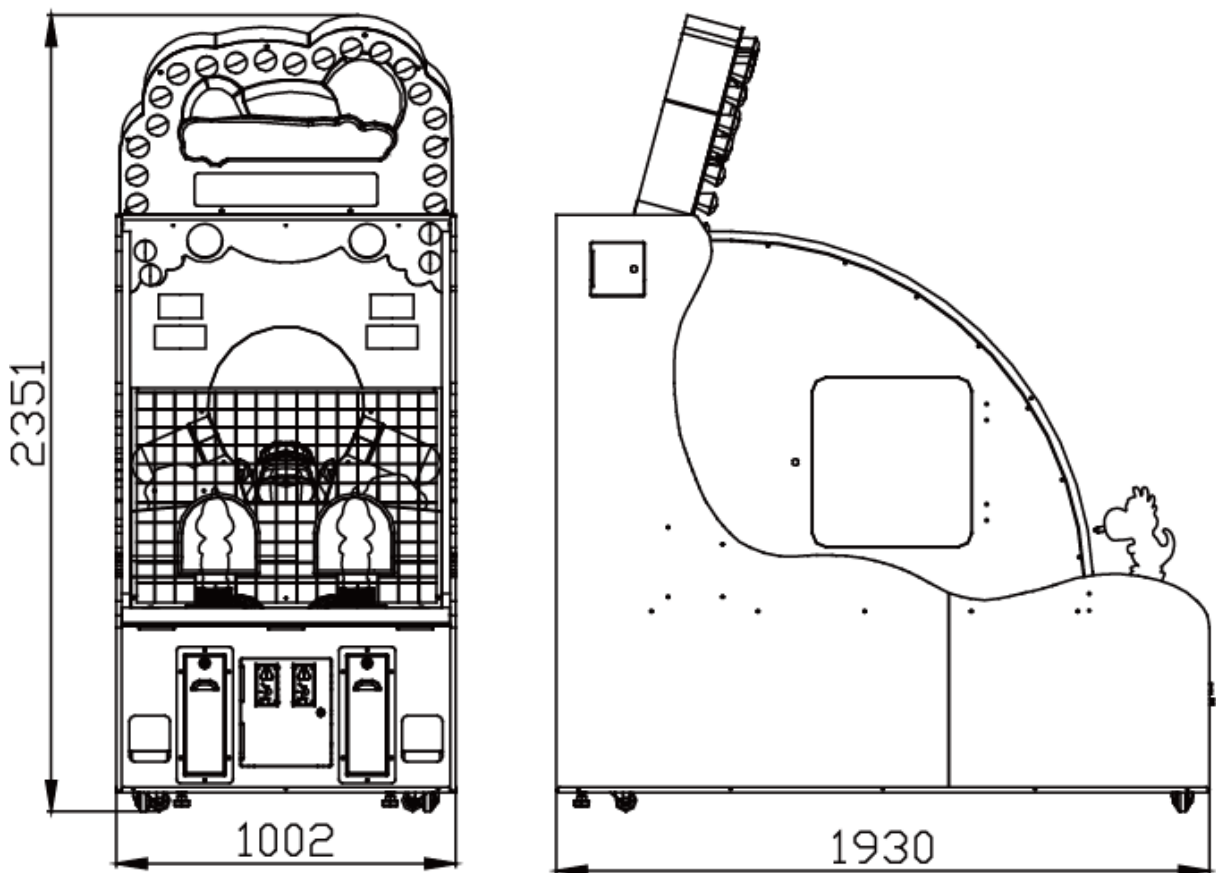
Max. Power consumption: 980W

Dimensions: W1000×D1930×H2090 (mm)

Weight: Approximately 225kg



**NOTICE:** After turning off the game, please wait at least 1 minute before restarting again.



**Note:** Game parameters are subject to change without notice.





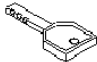


**NOTICE:** After turning off the game, please wait at least 1 minute before restarting again.

## 2. PACKAGE CONTENTS

Open the package and make sure all the items are included:

- 1 x Body Assembly
- Following accessories

No.	Part No.	Code	Name	Spec.	Qty	Picture
1	S117-460-000	23301000001	Power cord	15A/250V 1.8M	1	
2	S117-433-000	21901000014	Fuse	Φ6×30mm T10A 250VAC (220V)	1	
3	S117-432-000	21901000013		Φ6×30 T15A 250VAC (110V)		
4	S117-748-000	41460837091	Manual	ENGLISH	1	
5	S117-468-000	25300171002	Key	171A	2	
6	S117-470-000	25300172002		171B	1	

**NOTE:** Part models are subject to change without notice.

## 3. PART NAME



## 4. SET UP & INSTALLATION

**This product is an indoor game machine. Do not install outdoors.**

- Refer to IMPORTANT SAFETY INSTRUCTIONS (Pg. 2) for places to avoid
- Place the unit on a dry level surface
- Ventilation openings in the back of the unit must not be obstructed by objects or by wall.

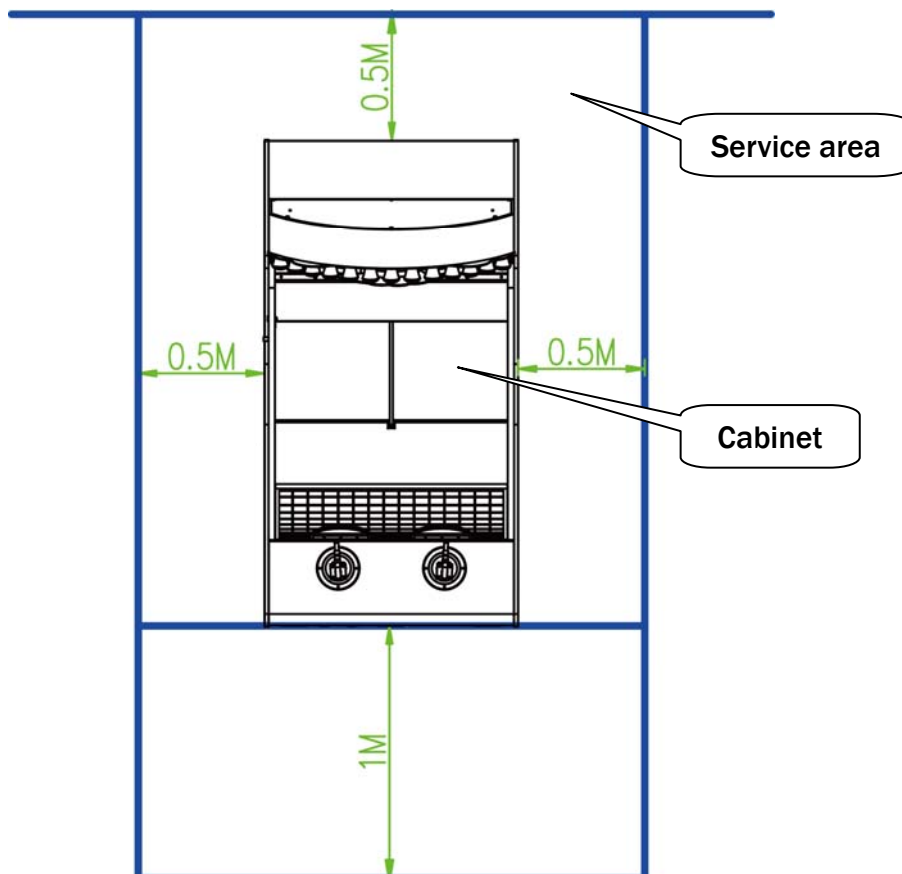
### 4.2 Play Zone

This machine requires space for playing and for maintenance as shown below.

Leave space around the game upon installation:

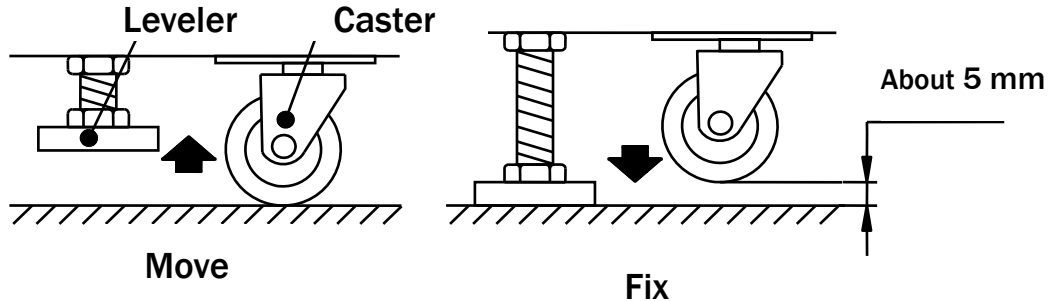
Service area: 500mm

Play area: 500mm



### 4.3 Level Adjustment

Install this machine on a flat surface. Adjust levers to lift casters off the ground to level the game. If the game is installed on an unsuitable floor, it could cause game malfunction. To secure the game, adjust the Leveler down until it touches the floor, lifting the casters off the ground by 5mm. Repeat the same for all levelers.

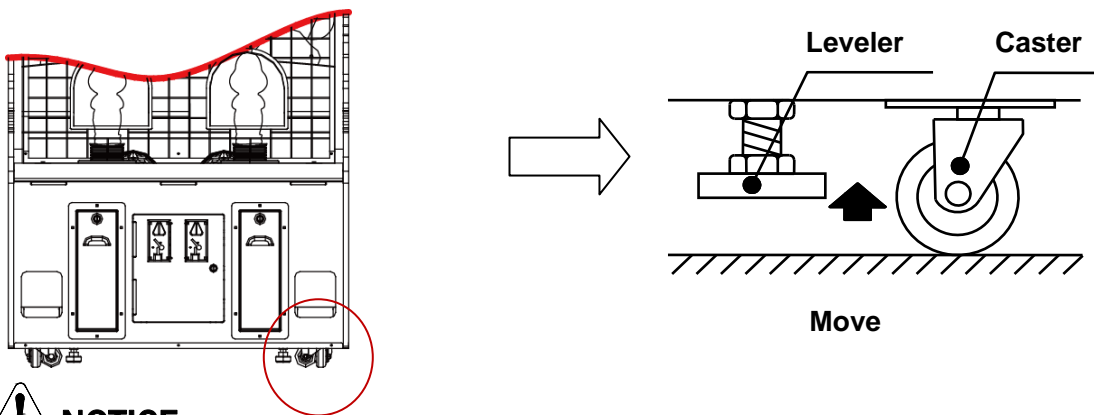


**! NOTICE**

Make sure the machine is level with the ground and all the adjustable legs should stick to the floor closely.

### 4.4 Transporting the Game

If you need to move the game, adjust the levelers back to an “up” position so the casters touch the ground.



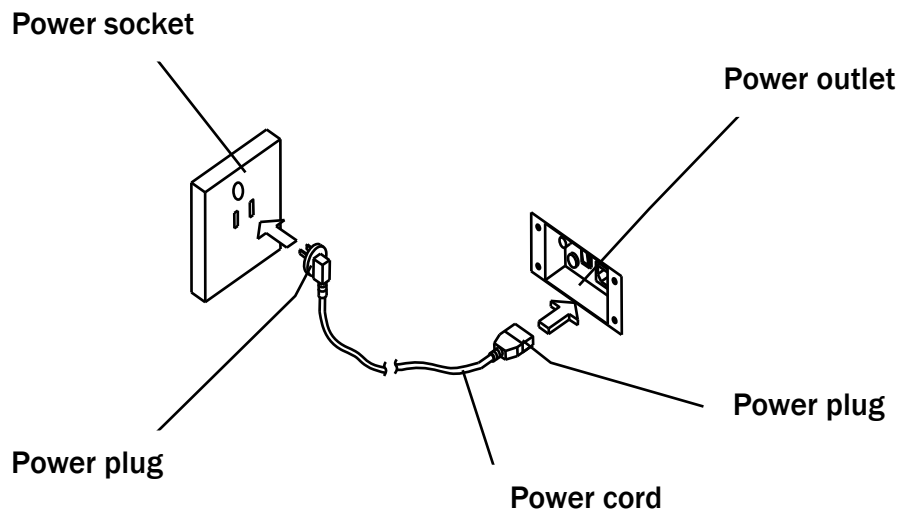
**! NOTICE**

- Be careful not to damage the machine during transport.
- The machine should be handled with care when bringing it down from a higher level.
- Always unplug the game before moving.
- Keep the machine in upright position during transport.
- For longer distance transport, package the game properly to prevent damages.

## 4.5 Connecting Power

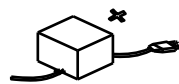
**! WARNING:** Check the voltage rating before you connect the equipment to an electrical outlet to ensure that the required voltage and frequency match the available power source. Please refer the label of the machine.

- Do not plug the equipment power cables into an electrical outlet if the power cable is damaged.
- Avoid putting many loads on one electrical outlet as it could generate heat and fire resulting from overload.
- Connect the grounding conductor to the earth terminal (GND):

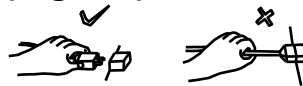


**! WARNING**

Ensure no heavy objects rest on the power cord. Check to make sure the game cabinet does not sit on the power cord as this could damage the cord and become hazardous.



To disconnect the game, grip the plug and pull it from the wall outlet. Never pull by the cord.



To prevent electric shock, do not touch the power plug when hand is wet.



Ensure that nothing rests on the power cord and that it is not located where it can be stepped on or tripped over.



## 4.6 First Time SET-UP

### Step 1:

After properly setting up the machine on a flat surface, slowly add water into the playfield directly until the water reaches the indicated waterline (See section 8.5 “Adding Water”)

### Step 2:

Take out 12 rubber ducks from the package included and place 6 ducks on each side of the playfield.

### Step 3:

Switch on the game and test run both sides to make sure everything works perfectly.



### Notice

Always take out the rubber ducks prior to servicing/maintaining the playfield in order to facilitate service work and to prevent unnecessary damages to the ducks.

## 5. HOW TO PLAY

### 5.1 How To Play

1. Insert coin(s) to start the game.
2. Squirt the gators back into the caves to win lots tickets.
3. When a gator goes back into the cave. The prize light will fill up.
4. When the prize light is full you win a prize.

### 5.2 Play Mode

A: Win one capsule every time.

B: No ticket payout. Pay out one capsule when score is more than 450.

C: Pay out ticket when score is less than 451. Pay out one capsule when score is more than 450.

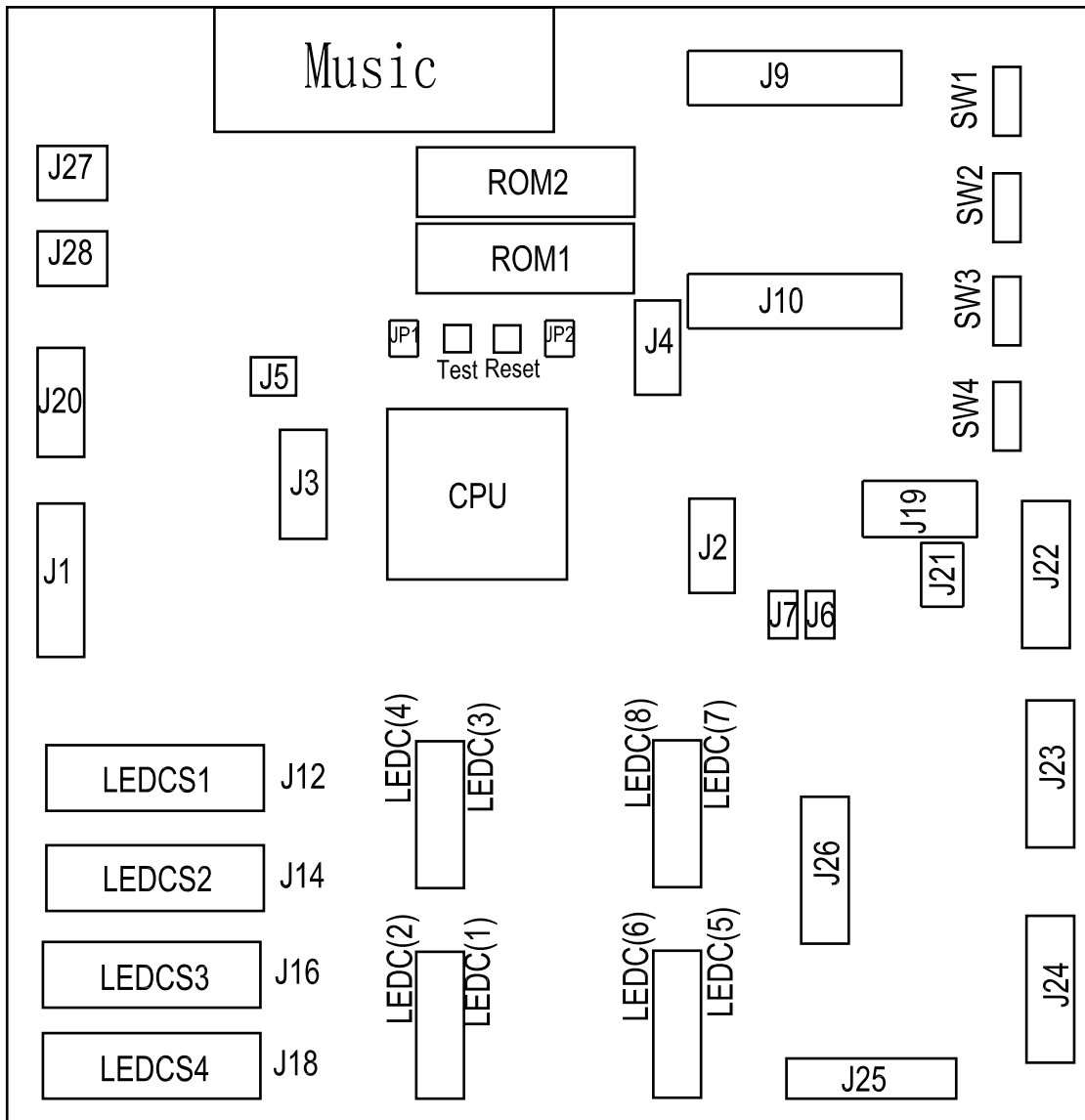
D: Pay out ticket as per score. No capsule payout.

## 6. PARAMETER SETTINGS

**6.1** Please refer to the I/O chart and schematics included with the game.

**6.2** To adjust DIP settings, please refer to the *I/O chart*. The initial settings are in CAPITAL LETTERS.

### 6.3 Main Board



### 6.4 Test Display

L score LED<1>3-1    R score LED<2>3-1

L ticket LED<1>7-5    L time LED<1>7-5    R ticket LED<2>7-5    R time LED<2>7-5

### 6.5 Enter the Test Mode

Press and start button in the main board to enter.



## 6.6 Test Mode

LED displays 8.7.6.5.4.3.2.1 and 87654321, test LED display is functioning well or not;

Press TEST button again and LED displays 1, LED<1>1-2 shows DIP state.

Press TEST button again and LED displays 2, it shows the number of on-off SW.

Press TEST button again and LED displays 3. Hold IN1-40 and it test the corresponding music segment.

Press TEST button and LED displays 4. Hold IN1-40 and it shows OUT1-40 corresponding output.

Press TEST button again and LED displays 5. It shows light move slowly.

## 6.7 Error Code

E01 L service button error      E04 L capsule sensor error      E07 R score sensor error

E02 R service button error      E05 R capsule sensor error      E83 L coin signal error

E03 Tik. Reset button error      E06 L score sensor error      E84 R coin signal error

E10 Water out or water out sensor error

## 6.8 Parameter Setting

SW1\_DIP adjust:

Item	Content	1	2	3	4	5	6	7	8
Coin per game	1	ON	ON						
	2	off	on						
	3	on	off						
	4	off	off						
Game time (s)	30			on	on	on			
	35			off	on	on			
	40			on	off	on			
	45			OFF	OFF	ON			
	50			on	on	off			
	60			off	on	off			
	75			on	off	off			
90			off	off	off				
Score per gator	1						on	on	on
	2						off	on	on
	5						on	off	on
	10						off	off	on
	15						ON	ON	OFF
	20						off	on	off
	25						on	off	off
	30						off	off	off

**SW2\_DIP adjust**

Item	Content	1	2	3	4	5	6	7	8
Score group *	1#	on	on	on	on				
	2#	<b>OFF</b>	<b>ON</b>	<b>ON</b>	<b>ON</b>				
	3#	on	off	on	on				
	4#	off	off	on	on				
	5#	on	on	off	on				
	6#	off	on	off	on				
	7#	on	off	off	on				
	8#	off	off	off	on				
	9#	on	on	on	off				
	10#	off	on	on	off				
	11#	on	off	on	off				
	12#	off	off	on	off				
Play mode **	A					on	on		
	B					off	on		
	C					<b>ON</b>	<b>OFF</b>		
	D					off	off		
Continue credit mode	<b>NO</b>							<b>ON</b>	
	yes							off	
Demo music	<b>YES</b>								<b>ON</b>
	<b>NO</b>								off

**SW3\_DIP adjust**

Item	Content	1	2	3	4	5	6	7	8
Out of ticket /Out of Capsule	<b>Continue play</b>							<b>ON</b>	
	<b>Game stop</b>							off	
Score memory	<b>YES</b>								<b>ON</b>
	<b>NO</b>								off
		off	off	off	off	off	off		

**SW4\_DIP adjust**

Item	Content	1	2	3	4	5	6	7	8
		off	off	off	off	off	off	off	off



**\* Score group:**

Score Ticket	1-150	151-300	301-450	451-999
1#	0 ticket	0 ticket	0 ticket	1 Capsule
2#	1 ticket	2 tickets	3 tickets	1 Capsule
3#	2 tickets	4 tickets	6 tickets	1 Capsule
4#	5 tickets	8 tickets	12 tickets	1 Capsule
5#	8 tickets	12 tickets	15 tickets	1 Capsule
6#	12 tickets	15 tickets	20 tickets	1 Capsule
7#	15 tickets	18 tickets	25 tickets	1 Capsule
8#	18 tickets	25 tickets	30 tickets	1 Capsule
9#	25 tickets	40 tickets	60 tickets	1 Capsule
10#	10 tickets	10 tickets	10 tickets	1 Capsule
11#	15 tickets	15 tickets	15 tickets	1 Capsule
12#	20 tickets	20 tickets	20 tickets	1 Capsule

**INPUT PARTS:**

INPUT	Content	INPUT	Content
J9-1	L service	J9-11	
J9-2	R service	J9-12	
J9-3	Tik. reset	J9-13	
J9-4	L capsule sensor	J9-14	
J9-5	R capsule sensor	J9-15	
J9-6	L score sensor	J9-16	
J9-7	R score sensor	J9-17	
J9-8	L rotate sensor	J9-18	
J9-9	R rotate sensor	J9-19	
J9-10	Overflow water level	J9-20	

**OUTPUT PARTS:**

OUTPUT	Content	OUTPUT	Content	OUTPUT	Content	OUTPUT	Content
J22-1	L gun	J23-9	Capsule rotate motor	J24-17	L apple light 1	J25-25	R apple light 1
J22-2	L gun	J23-10		J24-18	L apple light 2	J25-26	R apple light 2
J22-3	R gun	J23-11	L capsule light	J24-19	L apple light 3	J25-27	R apple light 3
J22-4	R gun	J23-12	L hole light	J24-20	L apple light 4	J25-28	R apple light 4
J22-5	Water pump	J23-13	L Tik. light	J24-21	L apple light 5	J25-29	R apple light 5
J22-6	L capsule motor	J23-14	R capsule light	J24-22	L apple light 6	J25-30	R apple light 6
J22-7	L capsule motor	J23-15	R Tik. light	J24-23	L apple light 7	J25-31	R apple light 7
J22-8	Top capsule motor	J23-16	R hole light	J24-24	L apple light 8	J25-32	R apple light 8

OUTPUT	Content	OUTPUT	Content	OUTPUT	Content
J26-33	Shell light 1	J4-1	Dot matrix A	J2-1	ti
J26-34	Shell light 2	J4-2	Dot matrix B	J2-2	ri
J26-35	Shell light 3	J4-3	Dot matrix C	J2-3	Marquee LAT
J26-36	Capsule meter	J4-4	Dot matrix EN	J2-4	Marquee CLK
J26-37		J4-5	Dot matrix D	J2-5	Marquee DATA
J26-38		J4-6	Dot matrix R	J2-6	LAT
J26-39		J4-7	Dot matrix LAT	J2-7	Dot matrix G
J26-40		J4-8	Dot matrix CLK	J2-8	LED-
		J4-9	GND	J2-9	GND
		J4-10	VCC	J2-10	VCC

Volume POT connector		Coin mech. connector		Ticket mech. connector		Speaker connector	
J20-1	L POT①	J19-1		J21-1	L_TIK drive	J27-1	Speaker L +
J20-2	L POT②	J19-2	L_coin signal	J21-2	L_TIK feedback	J27-2	Speaker L -
J20-3	R POT①	J19-3	GND	J21-3	12V	J28-1	Speaker R +
J20-4	R POT②	J19-4		J21-4	GND	J28-2	Speaker R -
J20-5	L POT③	J19-5	R_coin signal	J21-5	R_TIK drive	Counter	
J20-6	R POT③	J19-6	12V	J21-6	R_TIK feedback	J8-1	+12V
				J21-7	12V	J8-2	+12V
				J21-8	GND	J8-3	Coin counter
						J8-4	Ticket counter

## 7. ERROR MESSAGE AND RECOVERY

### 7.1 Trouble Shootings

✧ Please confirm whether every connector connected tightly.

Problem	Cause	Countermeasures
Machine no response after power on.	Power is not supplied.	Please check power supply suitable for the machine or not.
	Leakage SW protection.	Check leakage SW break or not, if break you should restart.
Power dump	Circuit protector action, power supply SW cut off.(Note: Circuit protector will cut off current when abnormal current flow.)	Please connect power SW again. If circuit protector action again and again, it is say that machine is abnormal. Please connect to outlet,
Coin mech. no response	Coin mech. failure.	Replace coin mech.
	Coin mech, signal cable is loose.	Check signal cable loosen or not.
	No DC12V.	Replace SW voltage.
	IO control PCB failure.	Replace IO control PCB.
Speaker no sound.	Volume setting too low.	Please set volume again.
	Connector falls off.	Please plug into connector firmly.
	PCB failure.	Replace PCB.
	Speaker failure.	Replace failure.
No scoring after squirt the gators back into the caves	IO board failure	Replace IO board
	Sensor failure	Replace sensor
	Sensor connector falls off.	Please plug into connector firmly.
Machine interface light is not on.	DC12V connect cable is loose.	Check 12V connect cable loosen or not.
	SW voltage failure.	Replace SW power.
	DC12V connect cable is short circuit or not.	Check 12V connect cable is short circuit or not.
	Light control PCB failure,	Replace light control PCB.
Error code:E.83/E.84	Coin mech. error	Replace coin mech.
Error code:E.04	L cave sensor low level when power on	L cave sensor is blocked, please remove obstacle.
Error code :E.07	R cave sensor low level when power on	R cave sensor is blocked, please remove obstacle.
Error code: E10	Water is out under control panel or water out sensor error	Clear the water under control panel or change the water out sensor.

## 8. MAINTENANCE & INSPECTION

### 8.1 Safety Check

Check the points listed before operating the machine. These checks are necessary for safe machine operation:

1. Try to run the game before operation each day.
2. Conduct monthly routine checks of game components ensure good working condition
3. Check the machine regularly for dust and clean when necessary.

**Note:** Parts and components require preventative maintenance to be kept running smoothly

### 8.2 Handling Precautions

When installing or inspecting the machine, be very careful of the following points and pay attention to ensure that the player can enjoy the game safely.

Non-compliance with the following points or inappropriate handling running counter to the cautionary matters herein stated can cause personal injury or damage to the machine



#### WARNING

- Before servicing the machine, be sure to turn power off. Servicing without turning the power off can cause electric shock or short circuit.
- To avoid electric shock or short circuit, do not plug then unplug the power quickly
- Do not expose power cords and earth wires, these are susceptible to damage.
- Damaged cords and wires can cause electric shock or short circuit and should be replaced immediately.
- When or after installing the product, avoid pulling the power cord to prevent unnecessary wear and tear. Use the power button to disconnect power.
- In case the power cord is damaged, ask for replacement through where the product was purchased from or replace locally. Continued usage of damaged cord can cause fire, electric shock or leakage.
- Perform grounding appropriately. Inappropriate grounding can cause electric shock.
- Use fuses that meet specified rating. Fuses exceeding can cause an electric shock.
- Should a problem occur, turn off the power immediately and stop operating the machine. Unplug the power cord of the service outlet. Operating the machine without correcting the problem may cause a fire or injuries.
- Insert the power plug securely into the outlet. Poor contact may cause overheating, resulting in fire or burns.
- To ensure the warning labels attached on the machine are visible and legible, install the machine in a well-lit location, and keep the labels clean at all times. Make sure the labels are not hidden behind other game machines.

## 8.3 How To Open The Control Panel

1. Use key to open the control panel coin mech. service door.



2. Put your hand into the service door and loosen the lock pin. Then you should catch 2 Dino water guns and pull them towards you, Control panel should be opened up.

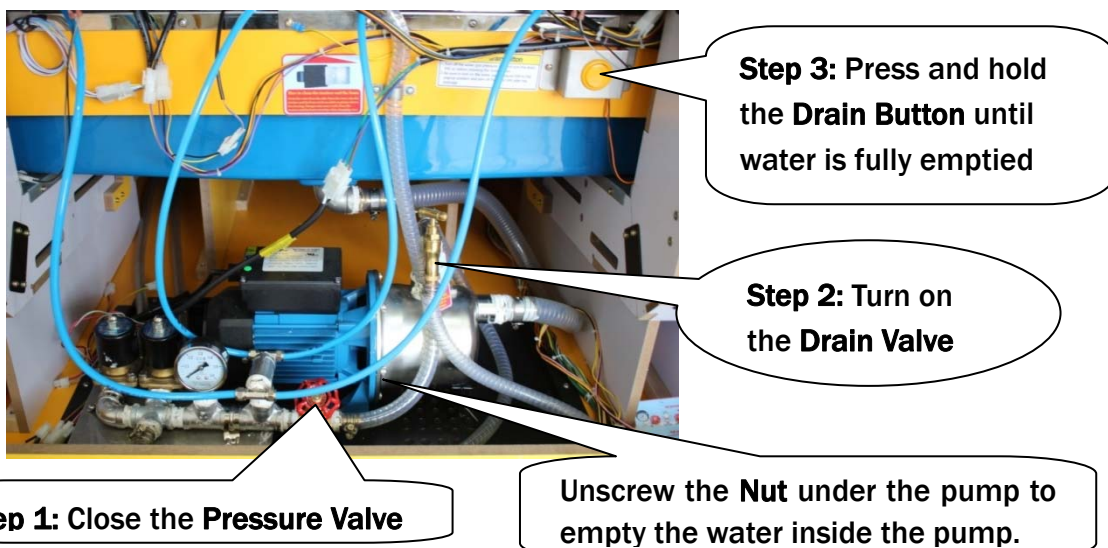


## 8.4 Regular Cleaning

1. You need to add water into machine before the first operation of this machine.
2. You can look for water gator in the accessories package. And you should take out 10 water gators. Then put 5 gators into L side game area. R side game area and so on.
3. Power on and check it operation normally or not before operation machine.

**⚠ Notice:** Must put out water gators before clean water tank or change water. And put them back in their place after maintain completed,

## 8.5 Draining water



## 8.5 Adding Water

1. When adding water, please turn off the drain valve and lock tightly water pump drain screw, Release drain button.
2. Open up the side service door. Slowly pour water down into the playfield directly until the water reaches the indicated water line. (See pictures k



**IMPORTANT:** When adding water to the game, the amount of water needs to be exactly at the Waterline (as indicated in the playfield). Keep adding water until the water surface reaches the water line. Be careful not to go over because too much water affects floatation of the ducks and can affect the overall game play.

## 8.5 How To Fill Prizes

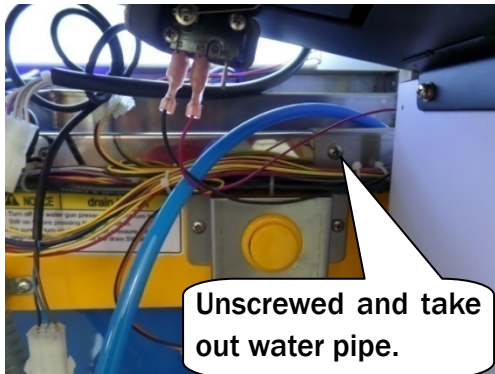
Open the fill capsules door, then you can put in prizes.



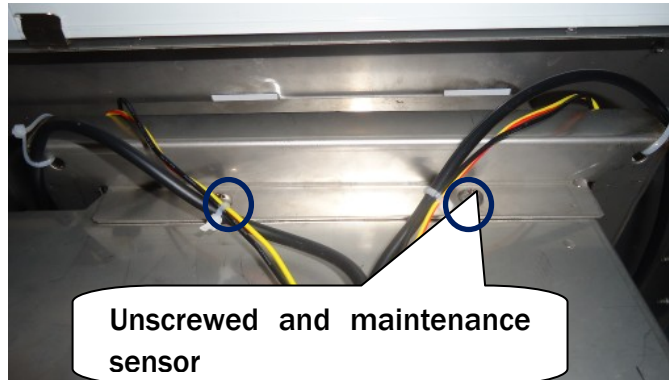
## 8.6 Other Parts Maintenance

Open the service door which at the back of the machine.

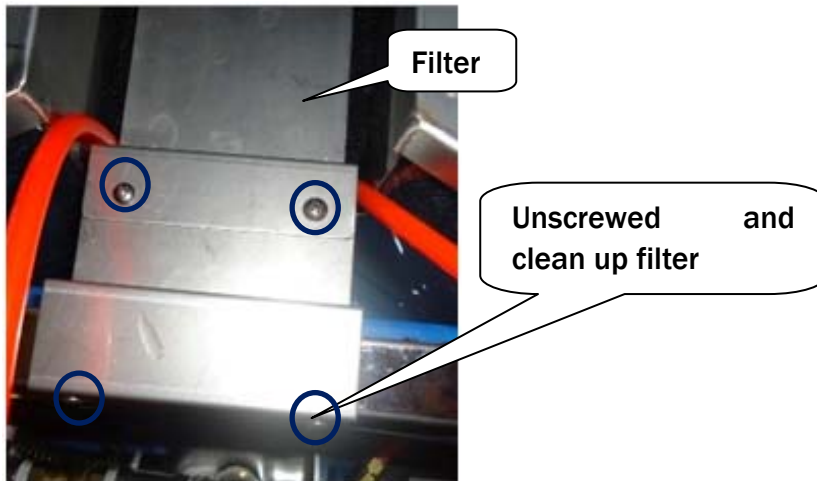
### 8.6.1 Water pipe maintenances



### 8.6.2 Sensor maintenances



### 8.6.3 Filter maintenances

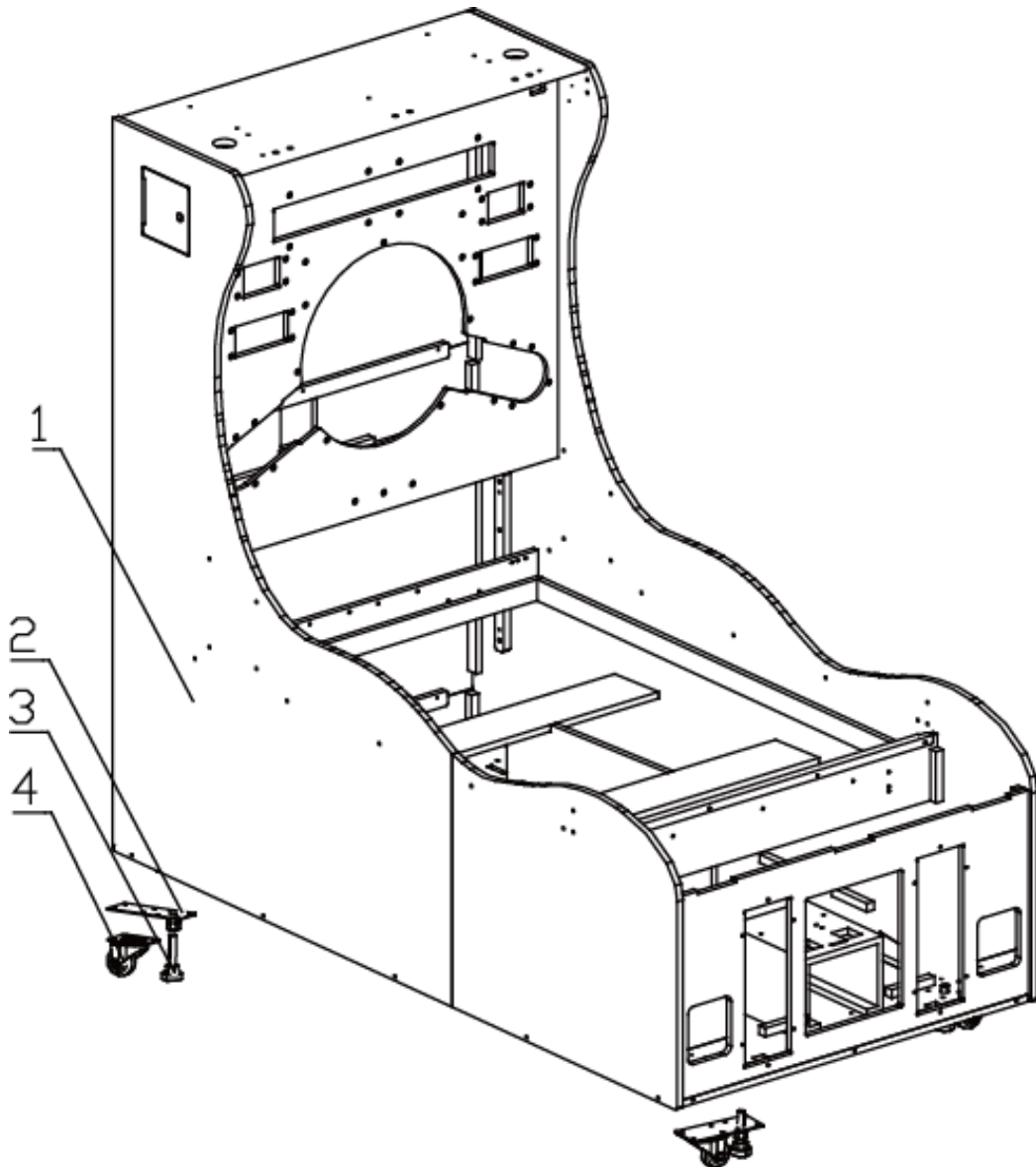


## 8.7 Pump Assembly Setting

- Pressure valve should be kept in a half open state. Adjusts the gun pressure.
- Pressure meter default setting is 0.1.
- Drain Valve should be closed during normal times and only opened for draining or to change water.
- Drainage button

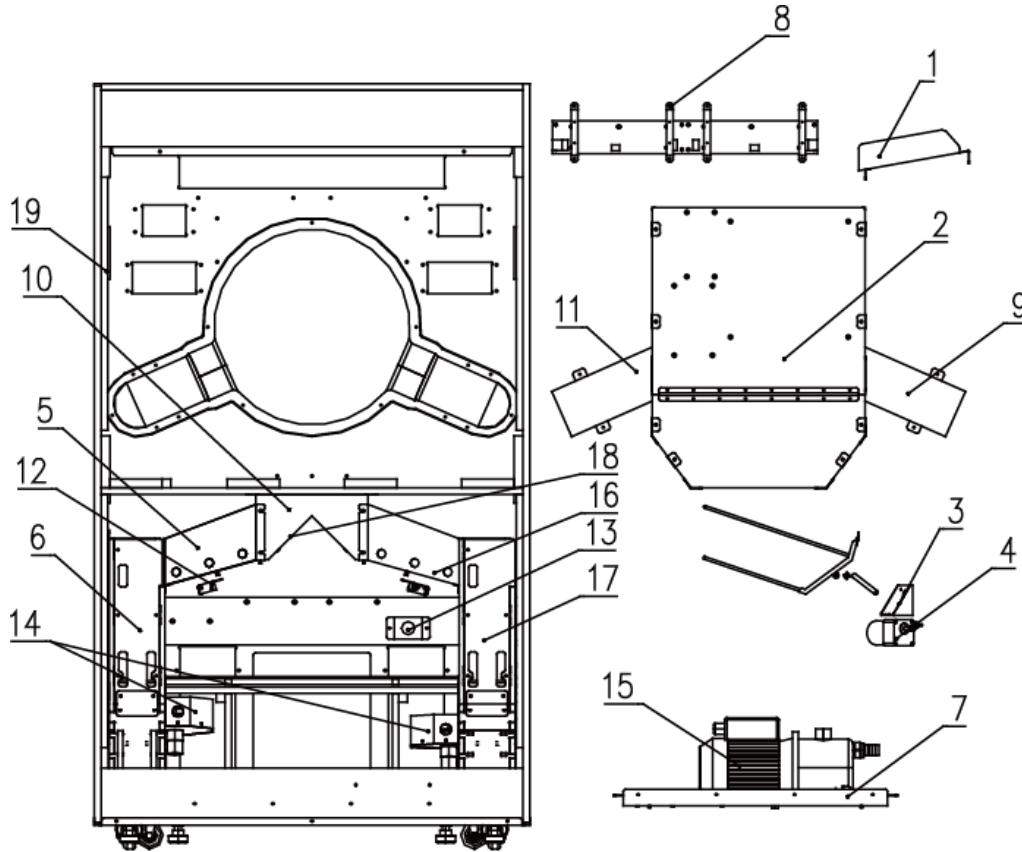
## 9. OVERALL CONSTRUCTION

### 9.1 Main Assembly 1



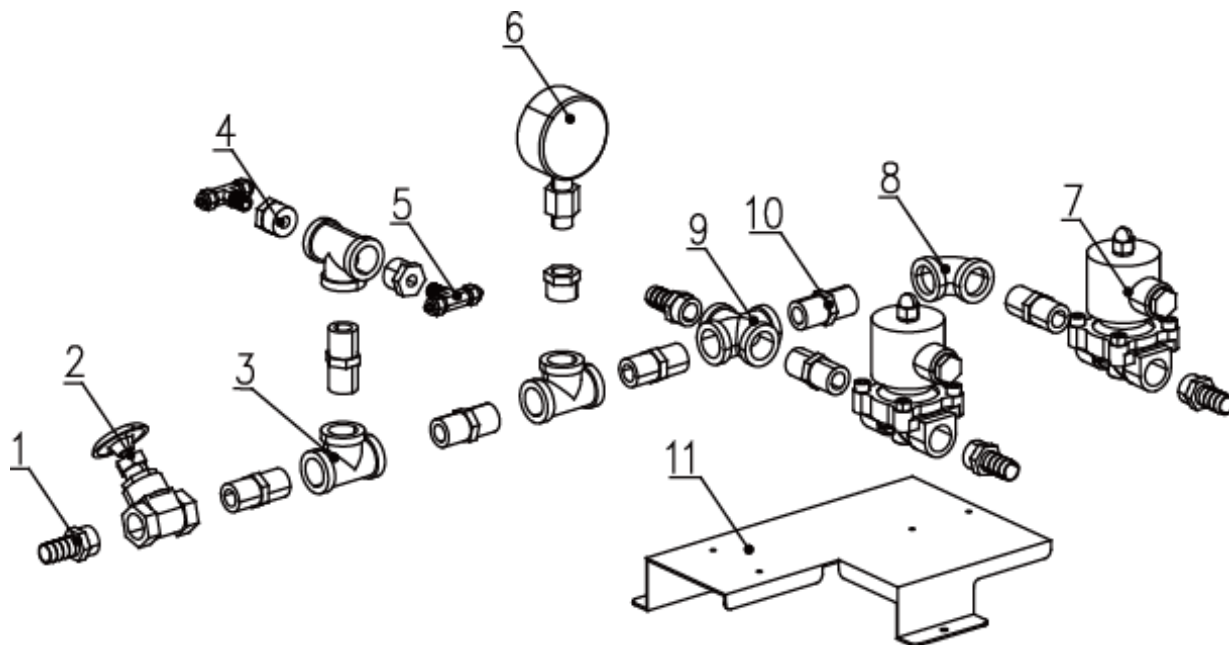
No.	Part No.	Code	Name	Spec.	Qty
1	S117-001-000	29911304001	Cabinet assy.	Assy.	1
2	S117-291-000	26000010000	2.5" castor bracket	Q235 δ3(color zinc)	4
3	S117-472-000	26000008000	2.5" leveller	Q235 M16X100(color zinc)	4
4	S117-471-000	25501000056	2.5" castor	3-2689-52	4

## 9.2 Main Assembly 2



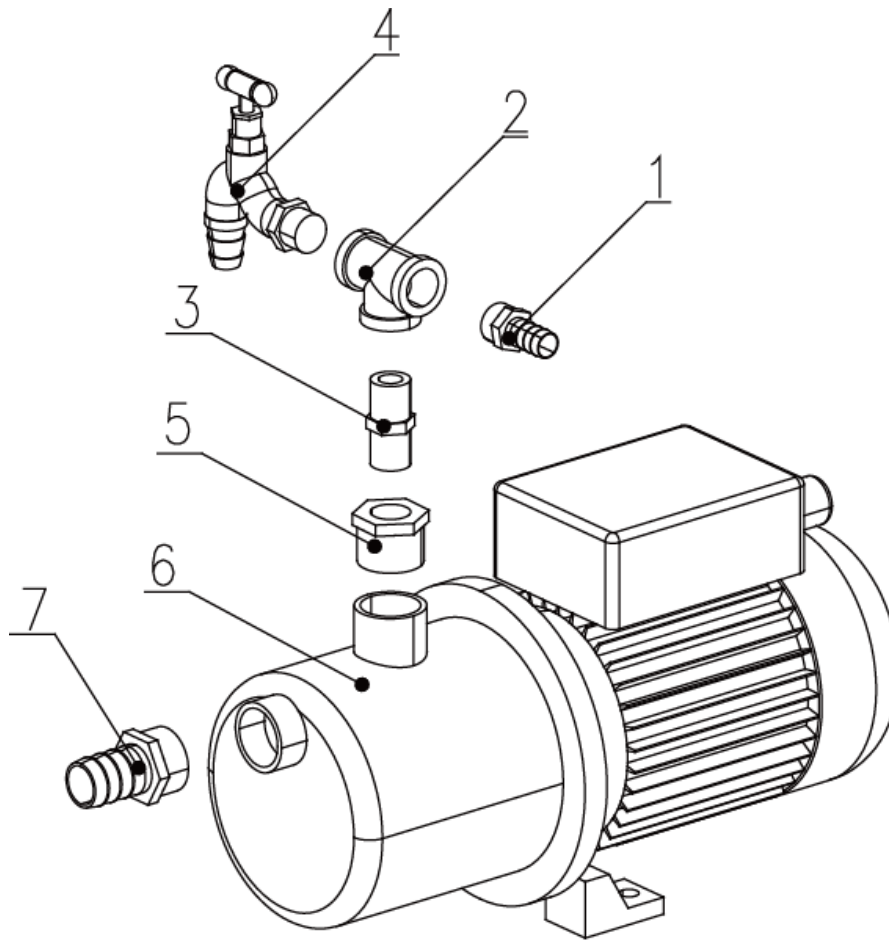
No.	Part No.	Code	Name	Spec.	Qty
1	S117-207-000	20211304014	Capsule in board	Q235 δ1.2 black powder	1
2	S117-003-000	29911304003	Capsule box assy.	Assy.	1
3	S117-244-000	20211304051	Motor fix board	Q235 δ2 black powder	1
4	S117-464-000	23404000083	DC motor	55ZY24-25-02/60JB120G 0832	1
5	S117-224-000	20211304031	L fairway tube	Q235 δ1.2 black powder	1
6	S117-004-000	29911304003A	L& middle fairway assy.	Assy.	1
7	S117-198-000	20211304005	Pump fix plate	Q235 δ2 black powder	1
8	S117-200-000	20211304007	Dot matrix fixed plate	Q235 δ1.5 black powder	4
9	S117-227-000	20211304034	R fairway cover	Q235 δ1.2 black powder	1
10	S117-226-000	20211304033	Fairway funnel	Q235 δ1.2 black powder	1
11	S117-228-000	20211304035	L fairway cover	Q235 δ1.2 black powder	1
12	S117-225-000	20211304032	Fairway limited SW fix plate	Q235 δ2 black powder	2
13	S117-170-000	20211106015	Button plate	Stainless steel 304 δ1.5	1
14	S117-009-000	29911304005	Capsule out mechanism	Assy.	2
15	S117-002-000	29911304002	Pump assy.	Assy.	1
16	S117-259-000	20211304066	R fairway tube	Q235 δ1.2 black powder	1
17	S117-007-000	29911304003D	R& middle fairway assy.	Assy.	1
18	S117-625-000	20611304008	Fairway washer 2	δ3	1
19	S117-212-000	20211304019	Light bar fixed plate	Metal δ1.2	1

### 9.3 Main Assembly 3



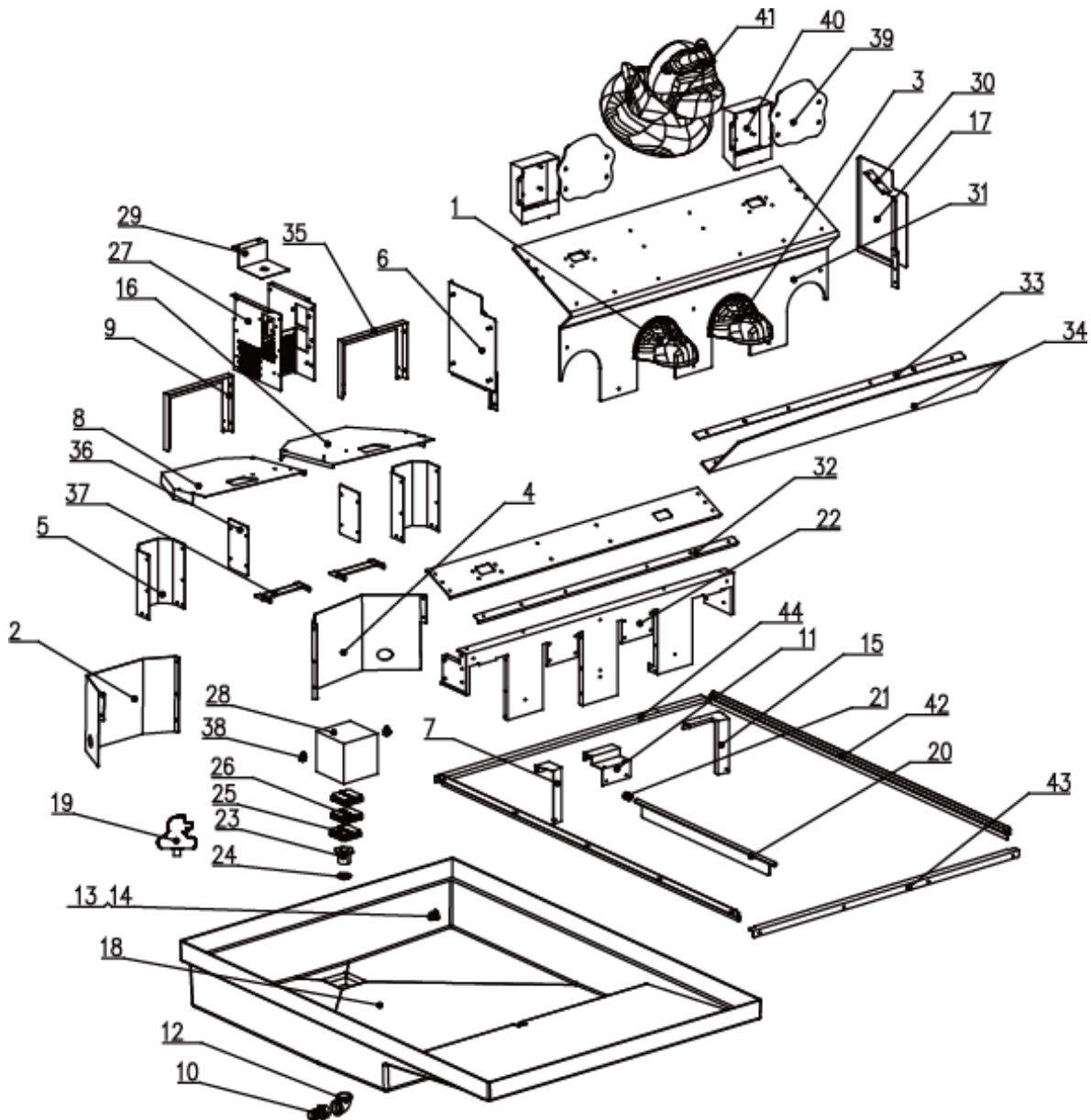
No.	Part No.	Code	Name	Spec.	Qty
1	S117-273-000	25101100057	15 copper gas jet	DN15 1/2 inch	4
2	S117-277-000	25101120136	Brake valve	DN15 1/2 inch	1
3	S117-266-000	25101030078	15 stainless steel T joint	DN15 1/2 inch	3
4	S117-270-000	25101051006	Copper in& out screw	DN15×10 1/2×3/8	2
5	S117-267-000	25101033002	T gas connector	2×8mm×DN15 8mm×3/4 inch	2
6	S117-473-000	40605100002	Piezometer	Y-60,0.6Mpa;	1
7	S117-276-000	25101120032	Solenoid	UW-15 DC24V ZG1/2	2
8	S117-265-000	25101020049	15 stainless steel quarter bend	DN15 1/2 inch	1
9	S117-268-000	25101040004	15 iron cross	DN15 1/2 inch	1
10	S117-271-000	25101070053	15 stainless steel inter connector	DN15 1/2 inch	8
11	S117-197-000	20211304004	Valve bracket	Stainless steel 304 δ1.5	1

## 9.4 Main Assembly 4



No.	Part No.	Code	Name	Spec.	Qty
1	S117-273-000	25101100057	Copper outer gas jet	DN15 1/2 inch	1
2	S117-266-000	25101030078	15 stainless steel T joint	DN15 1/2 inch	1
3	S117-271-000	25101070053	15 stainless steel inter connector	DN15 1/2 inch	1
4	S117-272-000	25101080047	Copper faucet	DN15 1/2 inch	1
5	S117-269-000	25101050042	Copper in& out screw	DN25×15 1×1/2	1
6	S117-465-000	23410000121	Pump	BJZ037 110V	1
7	S117-274-000	25101100058	25 copper gas jet	DN25 1 inch	1

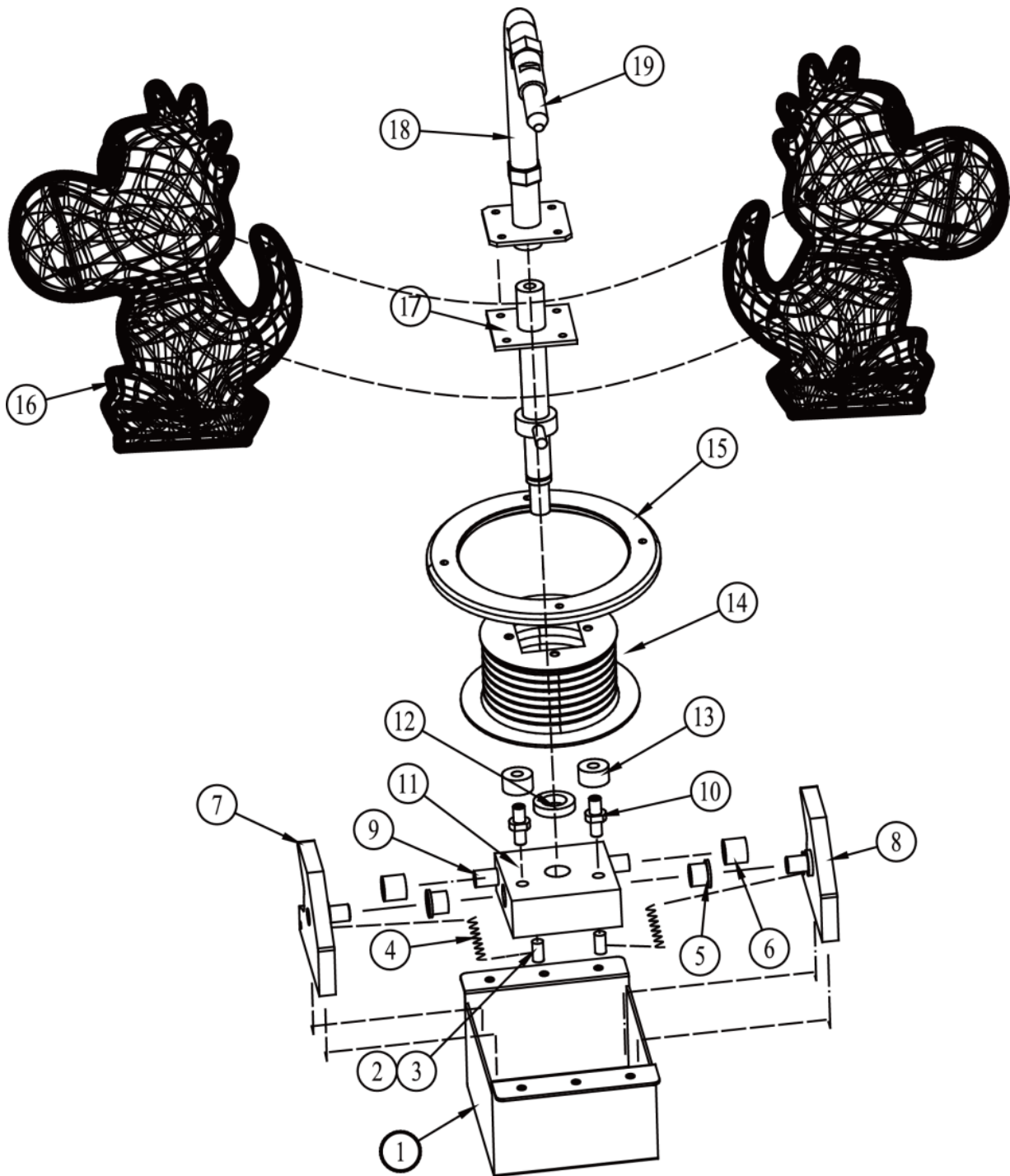
## 9.5 Main Assembly 5



No.	Part No.	Code	Name	Spec.	Qty
1	S117-631-000	20611304014	Red gator head	Vinyl $\delta 3$	1
2	S117-613-000	20611106020	R outer track	Transparent PVC $\delta 2$	1
3	S117-630-000	20611304013	Yellow gator head	Vinyl $\delta 3$	1
4	S117-612-000	20611106019	L outer track	Transparent PVC $\delta 2$	1
5	S117-611-000	20611106018	Inner track	Transparent PVC $\delta 2$	2
6	S117-221-000	20211304028	L fixed bracket	Mirror steel 304 $\delta 1.2$	1
7	S117-213-000	20211304020	L return pipe bracket	Stainless steel 304 $\delta 1.5$	1
8	S117-177-000	20211106033	Back L water cover plate	Stainless steel 304 $\delta 1.2$	1
9	S117-179-000	20211106035	Sensor fixed bracket	Stainless steel 304 $\delta 1.2$	2
10	S117-274-000	25101100058	25 copper gas jet	DN25 1"	1
11	S117-181-000	20211106039	Filter cover fixed board	Stainless steel 304 $\delta 1.2$	1

No.	Part No.	Code	Name	Spec.	Qty
12	S117-264-000	25101020040	25 copper quarter bend	DN25 1"	1
13	S117-185-000	20211106044	Return pipe nut	Brass 13	2
14	S117-275-000	25101110132	8mm gas -1/4 inch bend		4
15	S117-214-000	20211304021	R return pipe bracket	Stainless steel 304 δ1.5	1
16	S117-178-000	20211106034	Back R water cover board	Stainless steel 304 δ1.2	1
17	S117-220-000	20211304027	R fixed bracket	Mirror steel 304 δ1.2	1
18	S117-609-000	20611106016	Water tank	Blue ABS δ6	1
19	S117-632-000	20611304015	Small gator	Vinyl δ2	8
20	S117-616-000	20611106023	Isolating tube	d:12*2	1
21	S117-615-000	20611106022	Isolating tube base	Black nylon	1
22	S117-219-000	20211304026	Bridge opening fixed plate	Stainless steel 304 δ1.2	
23	S117-175-000	20211106031	Water box bottom joint	Brass 45	1
24	S117-161-000	20116000192	O type rubber seal	30×4	1
25	S117-619-000	20611106029	Filter 2	ABS	2
26	S117-610-000	20611106017	Filter 1	ABS	1
27	S117-176-000	20211106032	Filter cotton cover	Stainless steel 304 δ1.5	1
28	S117-617-000	20611106025	Filter cotton	δ40	3
29	S117-182-000	20211106040	Filter cotton platen	Stainless steel 304 δ1.2	1
30	S117-222-000	20211304029	Support plate	Stainless steel 304 δ1.5	1
31	S117-709-000	20511304005	Bridge opening decal	Plexi. 960*620*3	
32	S117-183-000	20211106041	Water fixed plate	Stainless steel 304 δ1.2	1
33	S117-184-000	20211106042	Water fixed cover plate	Stainless steel 304 δ1.2	1
34	S117-708-000	20511304004	Front water plate	PVC 950X175X3	1
35	S117-614-000	20611106021	Track light shade	Plexi. δ3	4
36	S117-618-000	20611106028	Sensor cover plate	Transparent PVC δ2	2
37	S117-180-000	20211106036	Gator platen	304 δ1.2	1
38	S117-186-000	20211106045	Middle return pipe nut	Brass 13	1
39	S117-707-000	20511304003	Light board decal	Plexi. 206X186X5	1
40	S117-256-000	20211304063	Light board box	Stainless steel 304 δ1.2	1
41	S117-637-000	20611304020	Large gator	Vinyl δ3	1
42	S117-604-000	20611106002	Tank L&R molding	Mirror steel 304 δ1.2	2
43	S117-215-000	20211304022	Tank front molding	Mirror steel 304 δ1.2	1
44	S117-216-000	20211304023	Tank back molding	Mirror steel 304 δ1.2	1

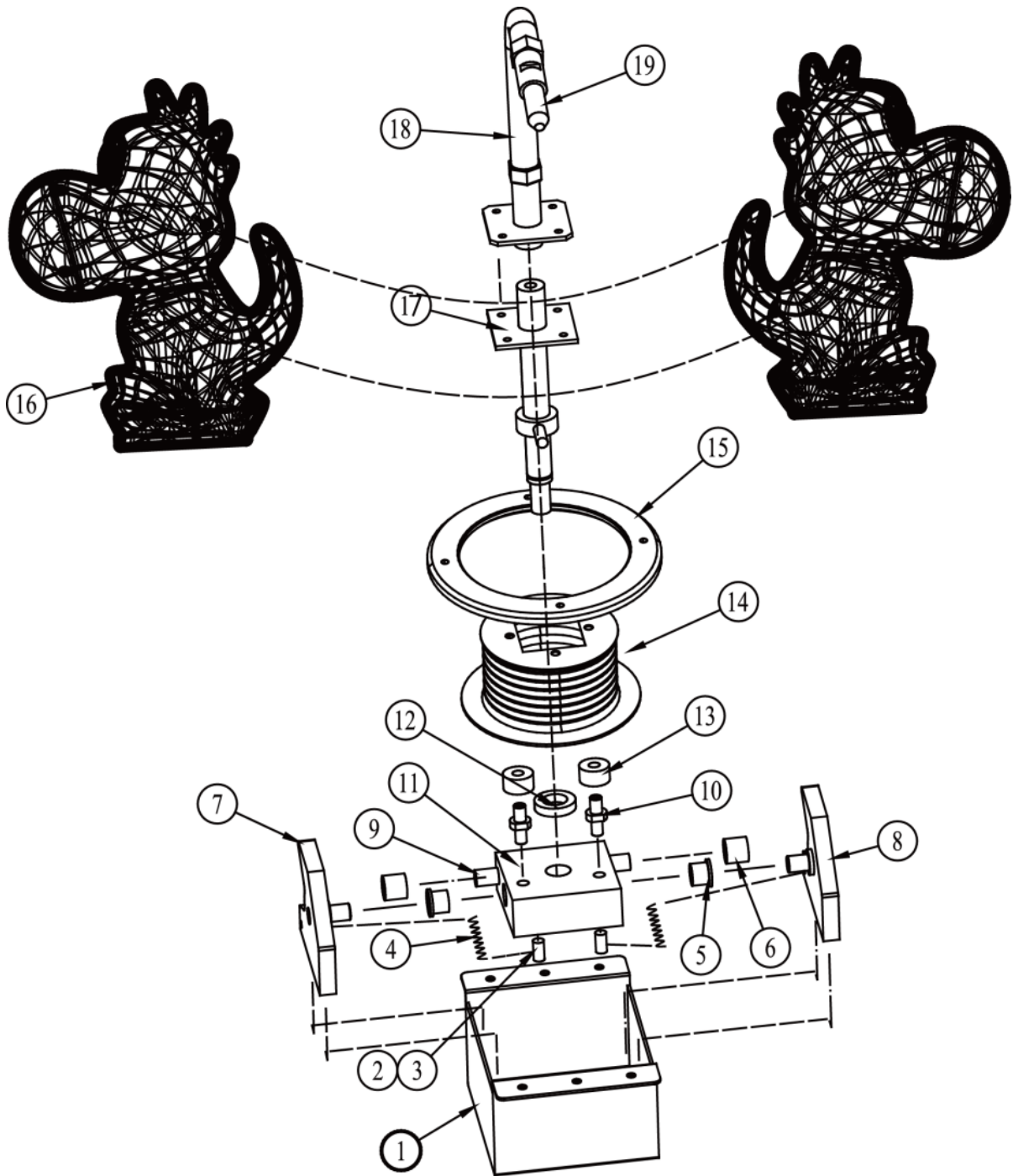
9.6 Main Assembly 6





No.	Part No.	Code	Name	Spec.	Qty
1	S117-189-000	20211106048	Water gun fixed board	δ2 powder black	1
2	S117-129-000	20101100052	Cross recess pan head screw	M5×20	4
3	S117-166-000	20210916031	Return tension spring clasp pin	φ12 powder black	4
4	S117-165-000	20210916030	Return spring	φ0.8 color zinc	2
5	S117-153-000	20106090133	Cylindrical br.	d12 D16 L12 2mm	2
6	S117-601-000	20610916008	Up & down limit pin set		1
7	S117-168-000	20210916033	Water gun R fixed plate	δ12 color zinc	1
8	S117-167-000	20210916032	Water gun L fixed plate	δ12 color zinc	1
9	S117-162-000	20210916027	Up & down limit pin	φ12 color zinc	1
10	S117-164-000	20210916029	L & R down limit pin	Color zinc	2
11	S117-188-000	20211106047	L water gun up & down swing piece	δ30	1
12	S117-163-000	20210916028	L & R down pin washer	Φ30	1
13	S117-602-000	20610916009	L & R limit pin set		2
14	S117-606-000	20611106010	Water gun expansion ring	δ2	1
15	S117-607-000	20611106011	Water gun ring platen	δ8	2
16	S117-626-000	20611304009	Water gun shell	δ3	1
17	S117-187-000	20211106046	Water gun body	Color zinc	1
18	S117-284-000	25106010001	Stainless steel tube	DN15 200mm	2
19	S117-190-000	20211106049	Gun mouth	φ20	1

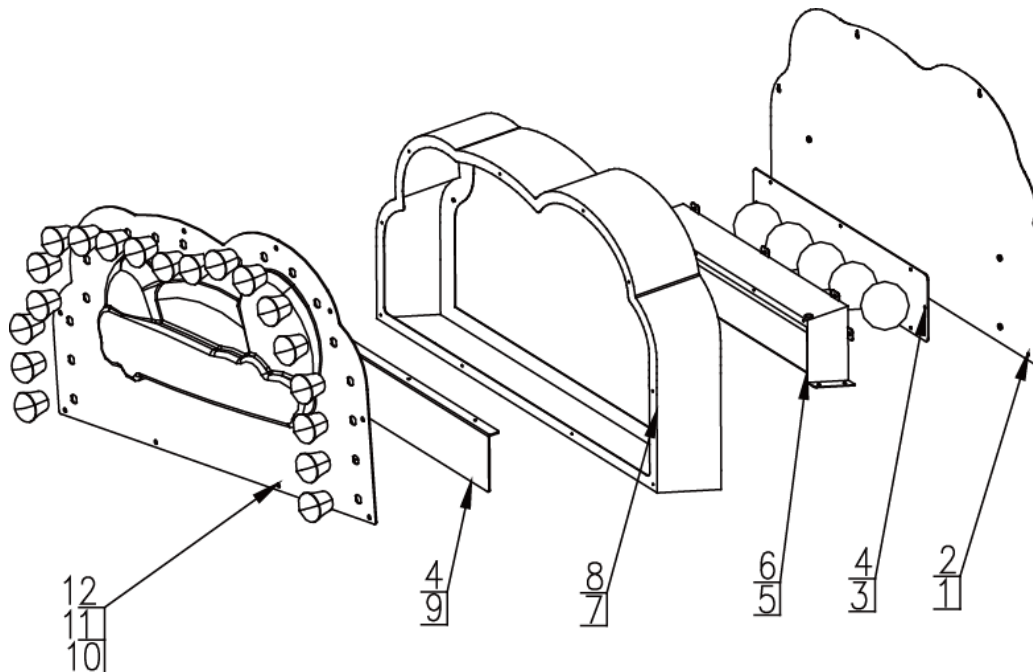
9.7 Main Assembly 7





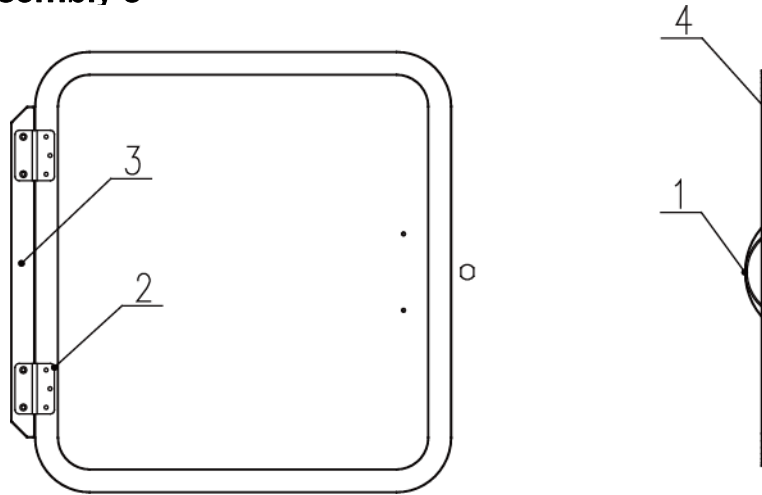
No.	Part No.	Code	Name	Spec.	Qty
1	S117-189-000	20211106048	Water gun fixed board	δ2 powder black	1
2	S117-129-000	20101100052	Cross recess pan head screw	M5×20	4
3	S117-166-000	20210916031	Return tension spring clasp pin	φ12 powder black	4
4	S117-165-000	20210916030	Return spring	φ0.8 color zinc	2
5	S117-153-000	20106090133	Cylindrical br.	d12 D16 L12 2mm	2
6	S117-601-000	20610916008	Up & down limit pin set		1
7	S117-168-000	20210916033	Water gun R fixed plate	δ12 color zinc	1
8	S117-167-000	20210916032	Water gun L fixed plate	δ12 color zinc	1
9	S117-162-000	20210916027	Up & down limit pin	φ12 color zinc	1
10	S117-164-000	20210916029	L& R down limit pin	Color zinc	2
11	S117-191-000	20211106050	R water gun up & down platen	δ30	1
12	S117-163-000	20210916028	L & R down pin washer	Φ30	1
13	S117-602-000	20610916009	L & R limit pin set		2
14	S117-606-000	20611106010	Water gun expansion ring	δ2	1
15	S117-607-000	20611106011	Water gun ring platen	δ8	2
16	S117-626-000	20611304009	Water gun shell	δ3	1
17	S117-187-000	20211106046	Water gun body	Color zinc	1
18	S117-284-000	25106010001	Stainless steel tube	DN15 1/2" 200mm	2
19	S117-190-000	20211106049	Gun mouth	φ20	1

## 9.8 Main Assembly 8



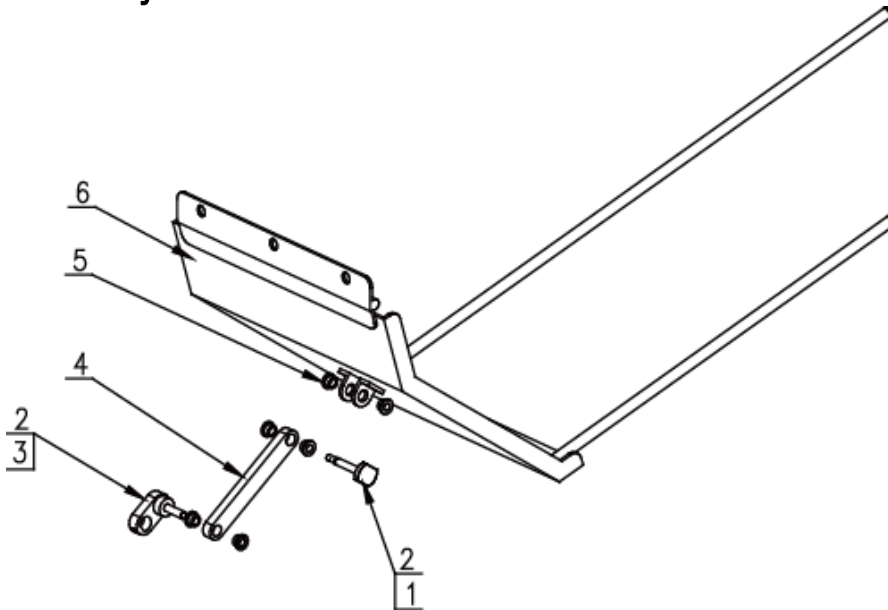
No.	Part No.	Code	Name	Spec.	Qty
1	S117-240-000	20211304047	Marquee back plate	Q235 δ1.5 powder yellow	1
2	S117-111-000	20101020035	Cross recess pan head set screw	Q235 M4×12 color zinc	7
3	S117-239-000	20211304046	Marquee capsule back plate	Q235 δ2 powder yellow	1
4	S117-116-000	20101030040	Cross recess pan head set screw	Q235 M4×8 white zinc	11
5	S117-238-000	20211304045	Marquee capsule bracket	Q235 δ1.5 powder yellow	1
6	S117-137-000	20102030011	Hexagon nut with flange	Q235 M4 white zinc	4
7	S117-237-000	20211304044	Marquee	Q235 δ1.5 powder yellow	1
8	S117-112-000	20101020036	Cross recess pan head set screw	Q235 M4×16 color zinc	5
9	S117-628-000	20611304011	Capsule show window	Plexi. δ3	1
10	S117-705-000	20511304001	Marquee vacuum foam	Plexi. 1140X780X3	1
11	S117-299-000	26000041000	3mm screw washer	ABS	9
12	S117-133-000	20101108018	Hexagon socket button head screw	Stainless steel M4×12	9
13	S117-257-000	20211304064	Capsule fixed bracket	Metal δ1.5	5

### 9.9 Main Assembly 9



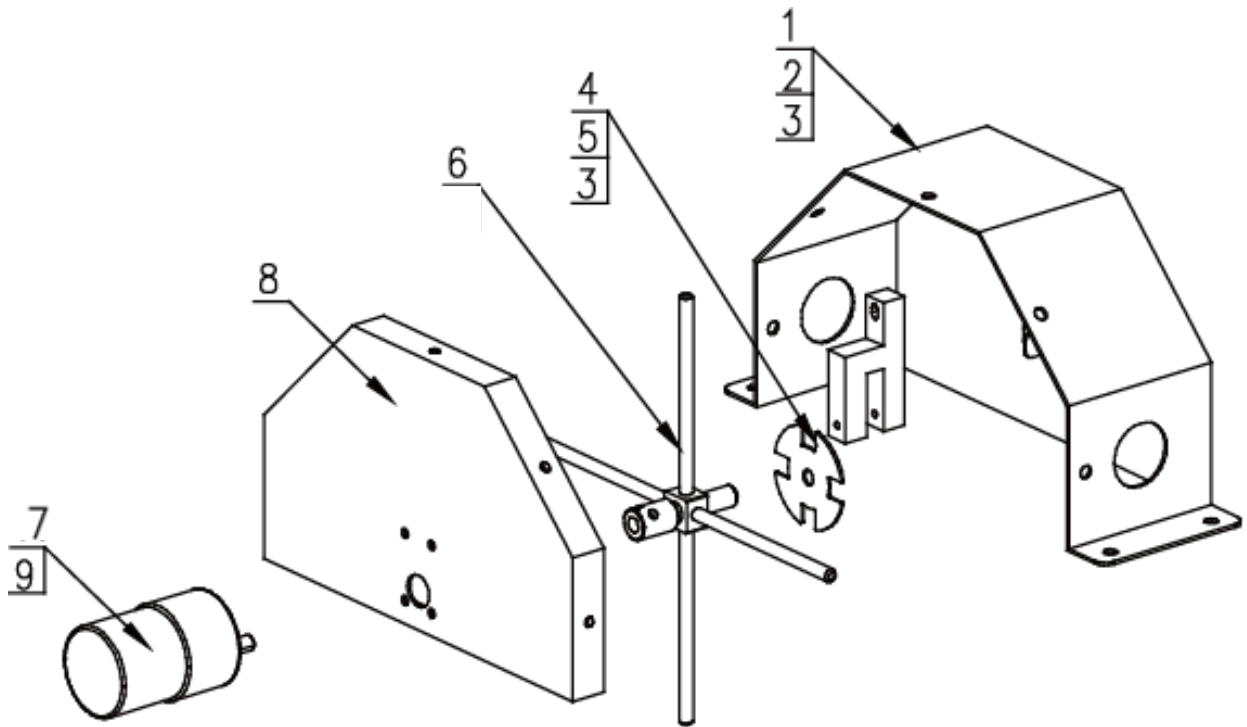
No.	Part No.	Code	Name	Spec.	Qty
1	S117-280-000	25102000007	Handle	125×16	1
2	S117-301-000	26300000004	Hinge	2.5" stainless steel	2
3	S117-623-000	20611304004	Hinge pad	Plexi. δ5	1
4	S117-622-000	20611304003	Side door plexi.	Plexi, δ5	1

### 9.10 Main Assembly 10



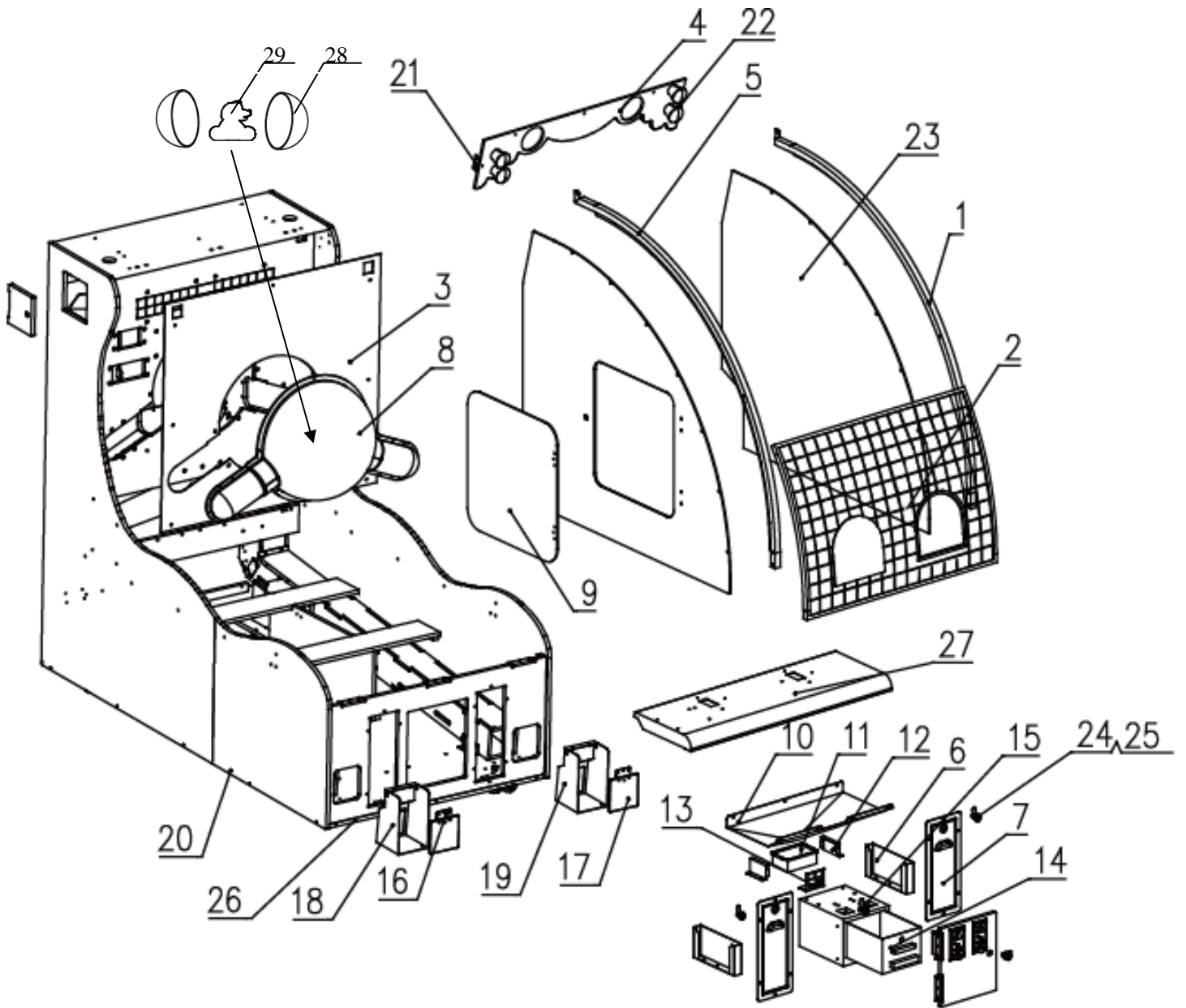
No.	Part No.	Code	Name	Spec.	Qty
1	S117-248-000	20211304055	Connection br.	Stainless steel 304 φ4	1
2	S117-138-000	20102030022	Non-metal insert hexagon lock nut	Q235 M4 white zinc	2
3	S117-245-000	20211304052	Crank	Stainless steel 304	1
4	S117-243-000	20211304050	Connection rod	Q235 white zinc	1
5	S117-154-000	20106090138	Cylindrical br.	d=4 D=6 L=4 1MM	6
6	S117-247-000	20211304054	Push plate	Stainless steel 304	1

### 9.11 Main Assembly 11



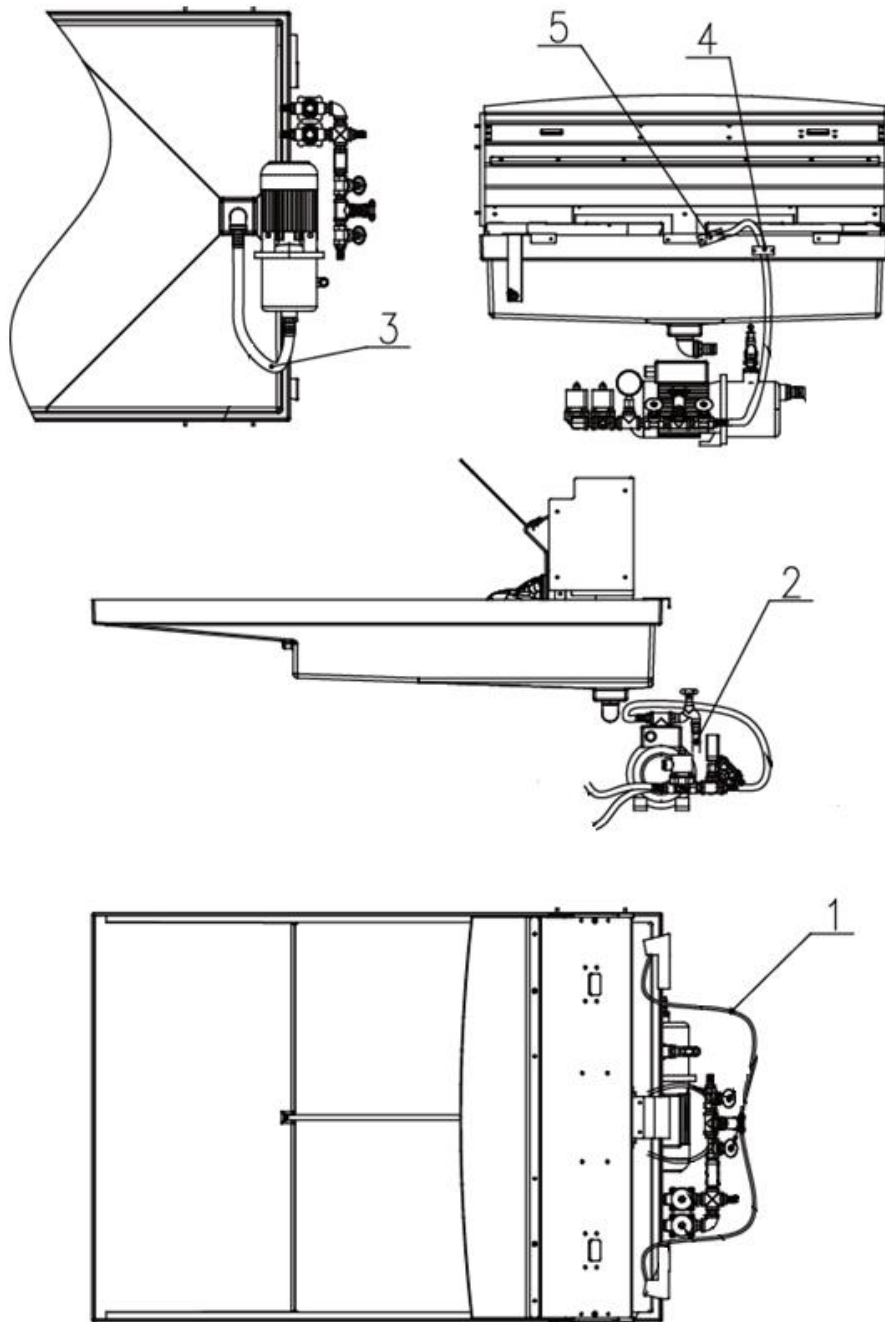
No.	Part No.	Code	Name	Spec.	Qty
1	S117-241-000	20211304048	Capsule out mechanism cover	Q235 δ1.2 powder black	1
2	S117-462-000	23313000007	Bushing	φ14	1
3	S117-127-000	20101100040	Cross recess pan head set screw	Stainless steel M4×8	6
4	S117-254-000	20211304061	Sensor platen	Metal δ1	1
5	S117-156-000	20113000055	C level washer	Q235 4×1h	1
6	S117-246-000	20211304053	Capsule out mech. stir rod	Stainless steel 304	1
7	S117-115-000	20101030033	Cross recess pan head set screw	Q235 M3×8 white zinc	4
8	S117-242-000	20211304049	Capsule out mech. base	Q235 δ1.2 powder black	1
9	S117-463-000	23404000047	DC motor	TG38-12V-10RPM	1

**9.12 Main Assembly 12**



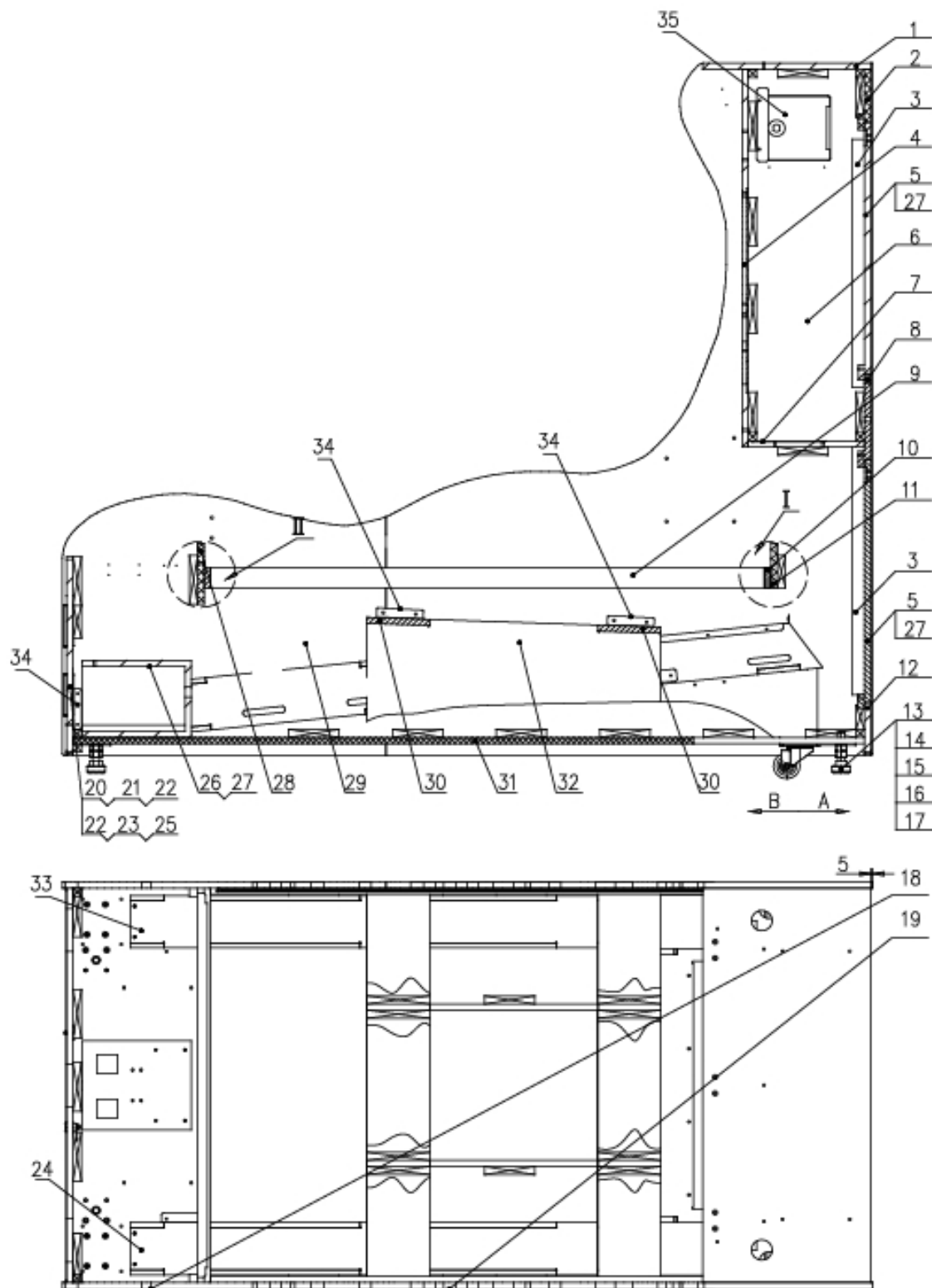
No.	Part No.	Code	Name	Spec.	Qty
1	S117-195-000	20211304002	R bend	Square tube 304 δ1.5	1
2	S117-196-000	20211304003	Safety net	Q235 powder green	1
3	S117-706-000	20511304002	Main decal	Plexi. 969X880X3	1
4	S117-508-000	20311304008	Speaker fix board	9mm whiteδ9	1
5	S117-194-000	20211304001	L bend	Square tube 304 δ1.5	1
6	S117-290-000	26000007000	Ticket box 120	Q235 δ1(white powder)	2
7	S117-292-000	26000018000	Single ticket door	Assy.	2
8	S117-629-000	20611304012	Capsule show cover	Plexi. δ5	1
9	S117-013-000	29911304009	Side door assy.		1
10	S117-608-000	20611106012	Front water bucket	PVC δ2	1
11	S117-278-000	25101200101	Plastic box	Outer size:155×100×55mm Inner size:135×85×50mm	1
12	S117-173-000	20211106021	Front water box board	Q235 δ1.2 black powder	1
13	S117-206-000	20211304013	Meter bracket	Metal δ1.5	1
14	S117-174-000	20211106022	Coin inner box	Q235 δ1.2 black powder	1
15	S117-469-000	25300172001	Lock	171B	1
16	S117-301-000	26300000004	Hinge	2.5" stainless steel	2
17	S117-710-000	20511304006	Capsule door	Plexi. 66x75x6	2
18	S117-229-000	20211304036	L capsule out metal	Q235 δ1.2 white powder	1
19	S117-230-000	20211304037	R capsule out metal	Q235 δ1.2 white powder	1
20	S117-171-000	20211106019	L&R down T-molding	Q235 δ1.2 black powder	2
21	S117-199-000	20211304006	Speaker plate fixed board 2	Q235 δ1.5 black powder	3
22	S117-255-000	20211304062	Speaker plate fixed board 1	Q235 δ1.5 black powder	2
23	S117-624-000	20611304005	Side plexi.	Plexi.δ5	2
24	S117-467-000	25300171001	Lock	171	2
25	S117-203-000	20211304010	Ticket door lock pin	Stainless steel δ2	2
26	S117-172-000	20211106020	Front& back down T-molding	Q235 δ1.2 black powder	2
27	S117-193-000	20211106D008	Control panel	Metal δ2 yellow powder	1
28	S117-474-000	41006000001	Capsule	4" transparent	100
29	S117-638-000	20611304021	Golden gator	Vinyl	20
	S117-639-000	20611304022	Blue gator	Vinyl	20
	S117-640-000	20611304023	Red gator	Vinyl	20
	S117-641-000	20611304024	Green gator	Vinyl	20
	S117-636-000	20611304019	Yellow gator	Vinyl	20

**9.13 Main Assembly 13**



No.	Part No.	Code	Name	Spec.	Qty
1	S117-287-000	25106020194	8mm gas pipe		3.6
2	S117-285-000	25106010013	Metallic tube	DN15 1/2" 13×18mm	7.5
3	S117-286-000	25106010014	Metallic tube	DN25 1" 25×31mm	1.2
4	S117-218-000	20211304025	Hose hope	SUS304 δ1.2	1
5	S117-288-000	25900021001	Hoop pipe fixed bracket	Stainless steel φ25mm	1

### 9.14 Main Assembly 14

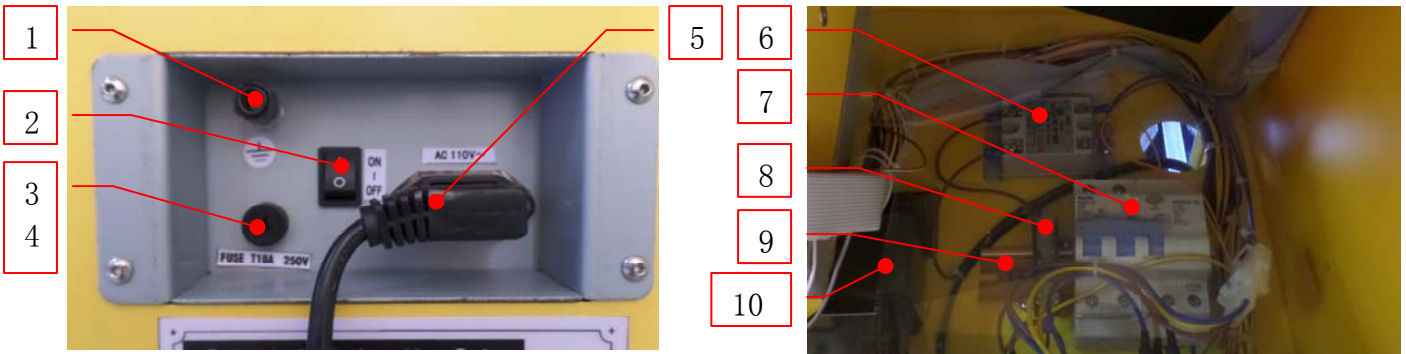


No.	Part No.	Code	Name	Spec.	Qty
1	S117-514-000	20311304014	Wooden assembly top board	Yellow MDF	1
2	S117-505-000	20311304005	Up door board	Yellow MDF	1
3	S117-524-000	20311304024	Back door board	Yellow MDF	4
4	S117-511-000	20311304011	Main decal fix board	Yellow MDF	1



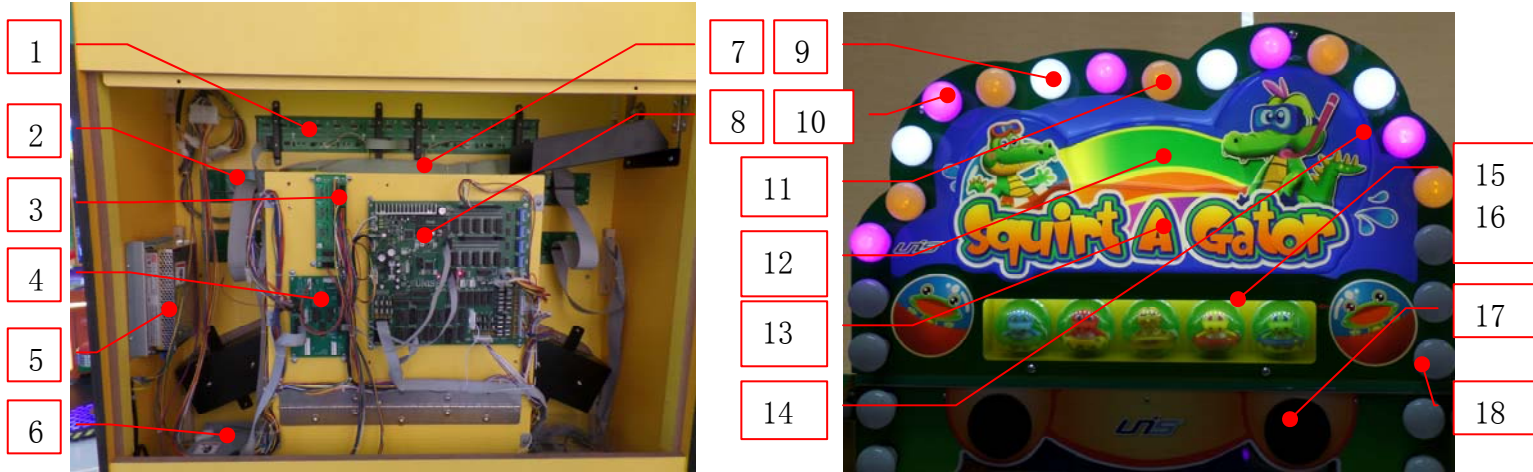
No.	Part No.	Code	Name	Spec.	Qty
5	S117-507-000	20311304007	Back Door 2	Yellow MDF	1
6	S117-503-000	20311304003	L back side board	Yellow plywood	1
7	S117-597-000	HLEYD-01-06BM	Capsule mechanism fix board	Yellow MDF	1
8	S117-515-000	20311304015	Wooden assembly middle board	Yellow MDF	1
9	S117-521-000	20311304021	Water tank L&R fixed board	Yellow MDF	2
10	S117-519-000	20311304019	Water tank front& back fixed board	Yellow MDF	2
11	S117-518-000	20311304018	Water tank back	Yellow plywood	1
12	S117-520-000	20311304020	Back down board	Yellow MDF	1
13	S117-472-000	26000008000	2.5" leveller	Q235	4
14	S117-291-000	26000010000	2.5" castor bracket	Q235	4
15	S117-471-000	25501000056	2.5" castor	3-2689-52	4
16	S117-151-000	20104000004	Cross recessed hexagon bolts	M6×25	32
17	S117-598-000	20102010014	Hexagon nut	Q235	4
18	S117-502-000	20311304002	R front board	Yellow plywood	1
19	S117-501-000	20311304001 HLEYD-01-09BM	R back board	Yellow plywood	1
20	S117-510-000	20311304010	Front door frame	Yellow plywood	1
21	S117-300-000	26300000001	Hinge 1	4"	3
22	S117-150-000	20103100018	Cross recessed pan head tapping screw	ST4.2×12	12
23	S117-467-000	25300171001	Lock	171	4
24	S117-005-000	29911304003B	R& down fairway assy.	Assembly	1
25	S117-512-000	20311304012	Coin door	Yellow plywood	1
26	S117-516-000	20311304016	Coin outer box	Yellow MDF	1
27	S117-123-000	20101100027	Cross recess pan head screw	M4*25	8
28	S117-523-000	20311304023	Water tank platen	Yellow plywood	1
29	S117-504-000	20311304004	L front board	Yellow plywood	1
30	S117-522-000	20311304022	Water bottom board	Yellow MDF	2
31	S117-509-000	20311304009	Bottom board	Yellow plywood	1
32	S117-517-000	20311304017	Water tank bottom board	Yellow MDF	2
33	S117-006-000	29911304003C	L& down fairway assy.	Assembly	1
34	S117-201-000	20211304008	Cabinet connection plate	Q235	6
35	S117-506-000	20311304006	Side door	Yellow plywood	1
36	S117-550-000	20311304050	Back door 1	Yellow MDF	1
37	S117-599-000	HLEYD-00-02B	Wooden fixed board	Q235	2
38	S117-146-000	20103040003	Cross recessed countersunk head tapping screws	ST4.2×30	324
39	S117-551-000	35201001	Wooden	20×20	10
40	S117-555-000	35204105	15mm plywood		3.2
41	S117-553-000	3520219201	15mm yellow MDF	2440×1220×15	2
42	S117-552-000	3520201001	12mm white MDF		1
43	S117-642-000	35102000003	0.8mm board	Yellow	6.4

## 9.15 Electrical Part 1



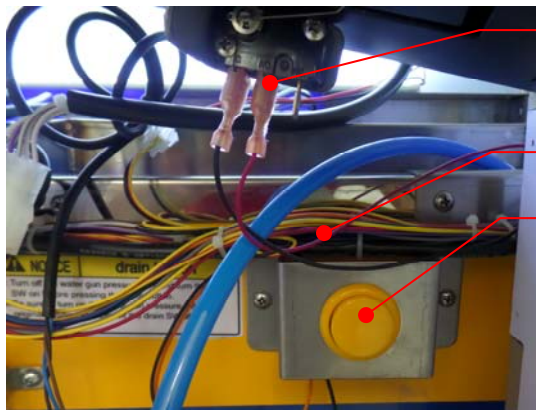
No.	Part No.	Code	Name	Spec.	Qty
1	S117-416-000	21412000001	Terminal	10A/15A/250V black	1
2	S117-453-000	22601000005	Small rocker SW	T125/55	1
3	S117-435-000	21902000006	Fuse base	R3-11 110V/250V/10A	1
4	S117-434-000	21901000030	Fuse	Φ5×20mm T10A 125VAC	1
5	S117-459-000	23201000001	Filter	YB10A1 10A/250V	1
6	S117-444-000	22140000004	Solid-state relay	SSR-40DA	1
7	S117-454-000	22601000056	Leakage switch	NDB2LE-63 C20	1
8	S117-436-000	21902000015	Fuse base	FS-10	1
9	S117-283-000	25105000002	35mm guide rail	35X150	1
10	S117-467-000	50400000003	Diode	1N4007	5
11	S117-437-000	21903000002	Fuse	XF110 1100ma	3

## 9.16 Electrical Part 2

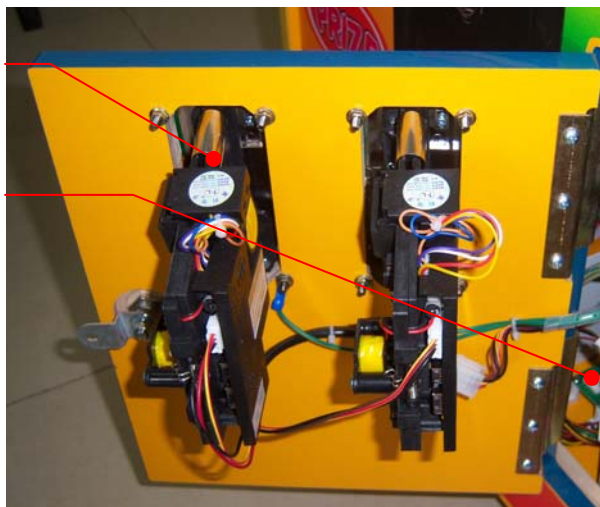
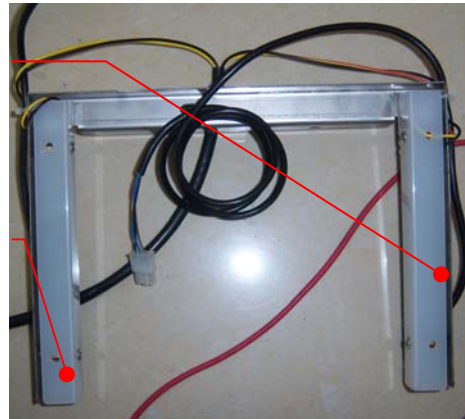


No.	Part No.	Code	Name	Spec.	Qty
1	S117-431-000	21714000228	Dot matrix PCB	Φ3.75 76x304mm	2
2	S117-428-000	21706000037	2.3" digital board	LED23B3.PCB	4
3	S117-801-000	29710916001	Marquee control PCB	LED CON-DDL.PCB(V1.1)	1
4	S117-805-000	29741321003	Dot matrix control pcb	XYWCQ-JKB.PCB(V1.1)	1
5	S117-422-000	21602000012	Power box	MW-S150-24(UL)	1
6	S117-421-000	21602000001	Power box	BTX-3039(110V/220V)	1
7	S117-426-000	21704000219	Ball light PCB	W10×L530mm W#4.8	1
8	S117-423-000	21701000014	IO board	PLAYV9	1
9	S117-439-000	22003000021	Marquee white LED light	DC12V white	8
10	S117-440-000	22003000022	Marquee violet LED light	DC12V violet	8
11	S117-441-000	22003000023	Marquee yellow LED light	DC12V yellow	7
12	S117-443-000	22003080001	Marquee light 1	W5630-LC50cm-60z/m-DC12V	1
13	S117-401-000	20741207005	Marquee light 2	W5630-LC80cm-60z/m-DC12V	1
14	S117-438-000	22002013003	Marquee LED light bar	DC12V 3528LED white	0.8
15	S117-427-000	21704000221	Capsule window light board	W10×L410mm W#4.8	1
16	S117-803-000	29741321001	Capsule window LED PCB	HLEYD-LPLED.PCB(V1.1)	2
17	S117-456-000	22801000028	Speaker	4" 20W speaker	2
18	S117-445-000	22200000012	Marquee light cover	Φ60×65 white	23

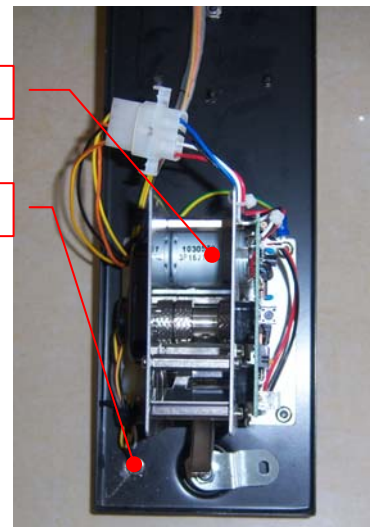
### 9.17 Electrical Part 3



- 2
- 3
- 4
- 5
- 6
- 7



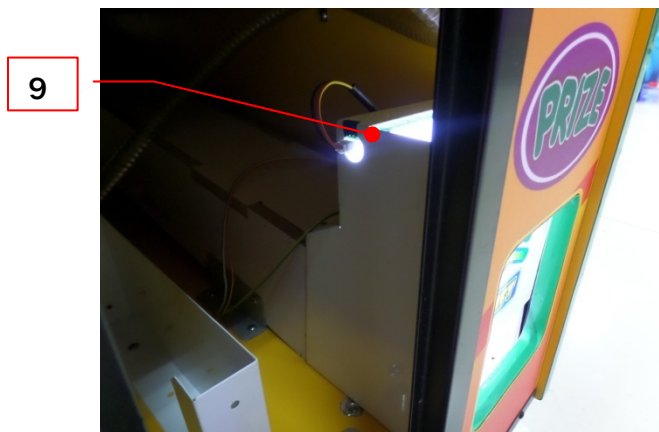
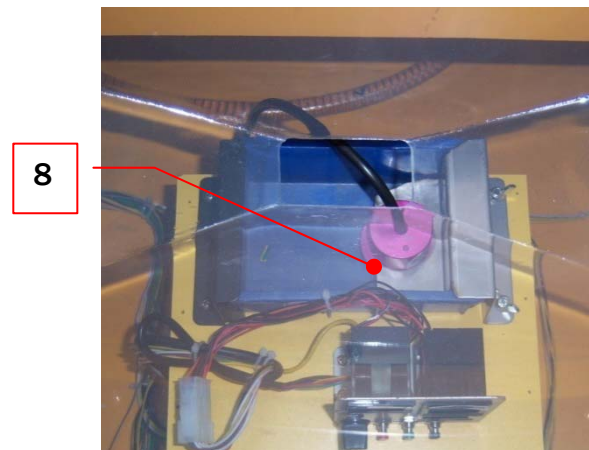
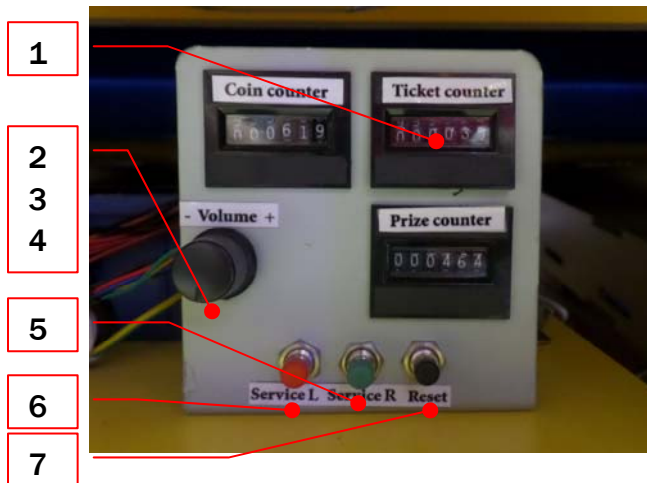
- 8
- 9
- 10



- 11
- 1

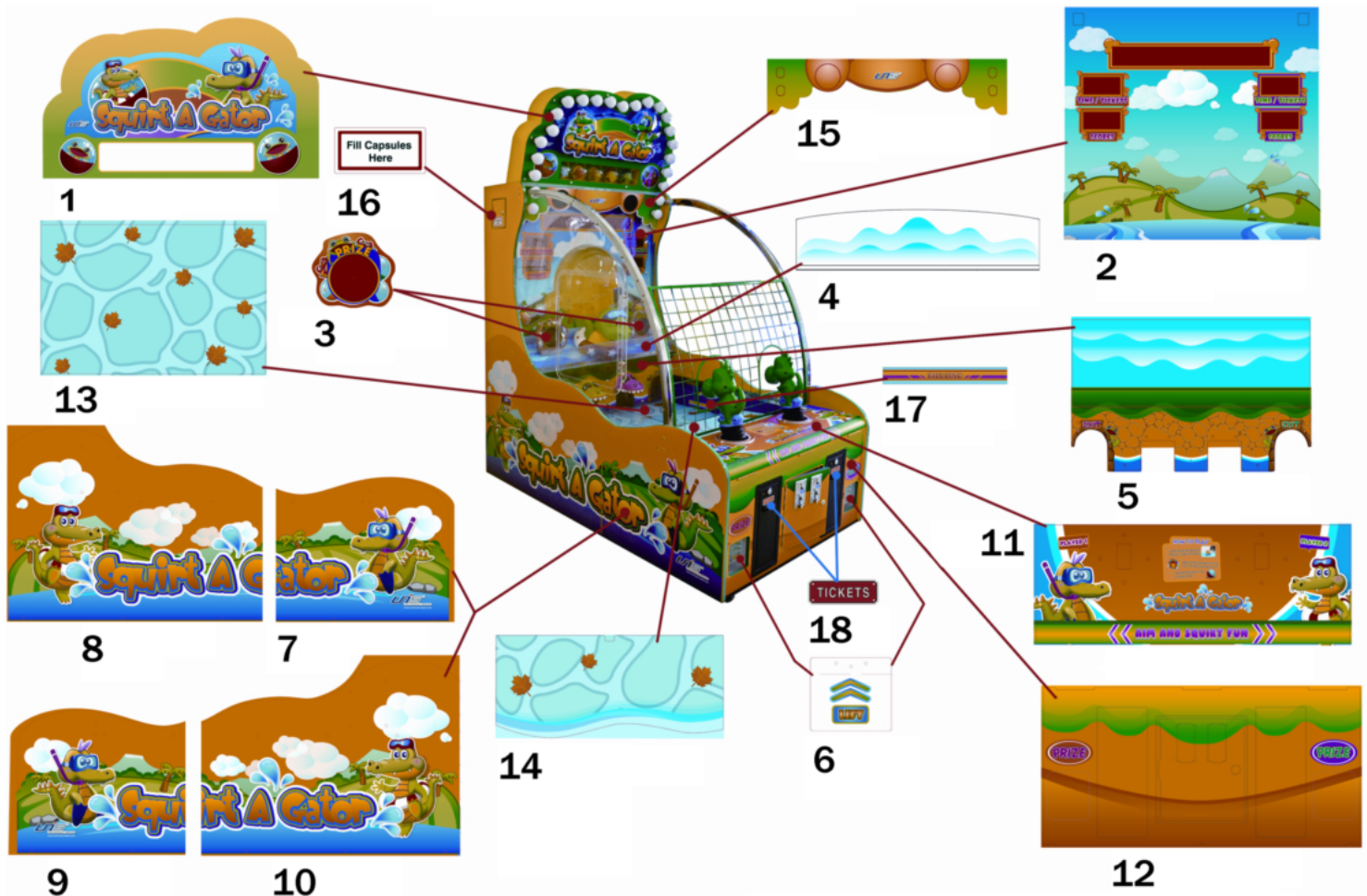
No.	Part No.	Code	Name	Spec.	Qty
1	S117-442-000	22003000075	Red light with base	Φ3 with red lampshade	2
2	S117-418-000	21503000021	Sensor	YENOX (NO-5V)	2
3	S117-461-000	23309000126	Wiring		1
4	S117-447-000	22401000081	Drainage button	Orange	1
5	S117-802-000	29711106001	Light bar	LED48NC.PCB	4
6	S117-419-000	21503000039	Reception sensor	GN-10NT-YR	2
7	S117-420-000	21503000040	Transmit sensor	GN-10NT-YE	2
8	S117-446-000	22301000001	Coin mech.		2
9	S117-430-000	21712000001	Ticket dispenser convert PCB	TICK-CH.PCB	2
10	S117-485-000	50900020044	Carbon resister	1.5KΩ ±1% 1/4W	2
11	S117-458-000	23100000005	Ticket dispenser	CL-022Q-270	2

## 9.18 Electrical Part 4

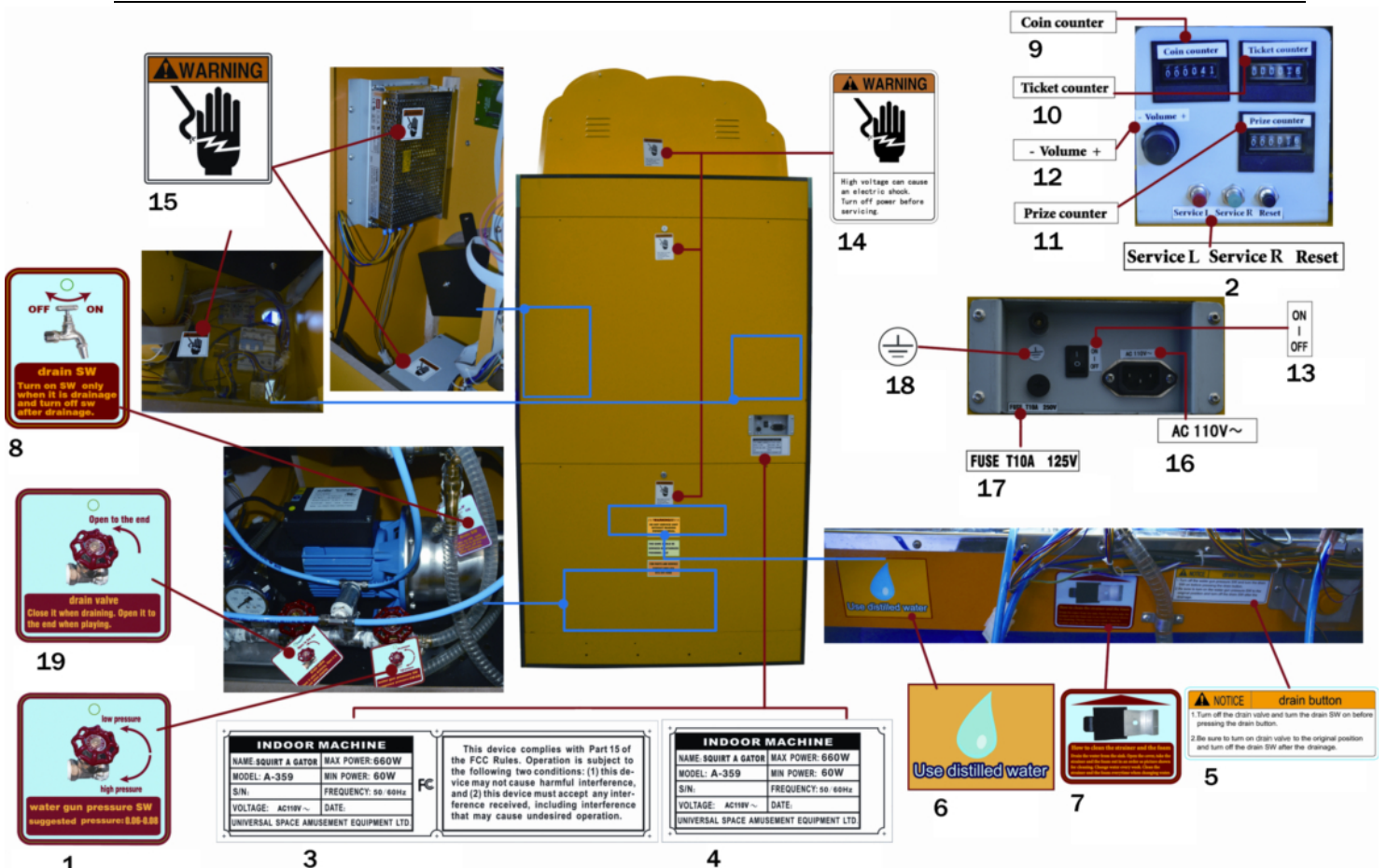


No.	Part No.	Code	Name	Spec.	Qty
1	S117-457-000	23000000006	Meter	C-012 12VDC 18CPS	3
2	S117-429-000	21709000002	POT connection plate	VR.PCB	1
3	S117-452-000	22501000006	POT	10K	1
4	S117-451-000	22403000001	POT knob	Black	1
5	S117-449-000	22402030002	Service R button	PB:11C02R(green)	1
6	S117-448-000	22402010002	Service L button	PB:11C02R(red)	1
7	S117-450-000	22402050001	Reset button	PB:11C02R(black)	1
8	S117-417-000	21502005001	Water out sensor	GLD-ESX-1-2	1
9	S117-804-000	29741321002	Capsule out PCB	LED48NC.PCB	2

## 10. DECAL



No.	Part No.	Code	Name	Spec.	Qty
1	S117-705-000	20511304001	Marquee vacuum foam	1140×780×3	1
2	S117-706-000	20511304002	Main decal	969×880×3	1
3	S117-707-000	20511304003	Light board decal	206×186×5	2
4	S117-708-000	20511304004	Front water plate	950×175×3	1
5	S117-709-000	20511304005	Bridge opening decal	960×620×3	1
6	S117-710-000	20511304006	Capsule door decal	66×75×6	2
7	S117-711-000	20511304007	L side front decal	770×650×0.3	1
8	S117-712-000	20511304008	L side back decal	1165×895×0.3	1
9	S117-713-000	20511304009	R side front decal	770×650×0.3	1
10	S117-714-000	20511304010	R side back decal	1165×895×0.3	1
11	S117-715-000	20511304011	Control panel decal	966×370×0.3	1
12	S117-716-000	20511304012	Front door decal	970×496×0.3	1
13	S117-717-000	20511304013	Water tank bottom decal	910×650	1
14	S117-718-000	20511304014	Water front decal	918×417	1
15	S117-719-000	20511304015	Top light PCB decal	968×227×0.3	1
16	H116-716-000	20511304016	Prize out label	114×57×0.3	1
17	H116-717-000	20511304017	Water line label	200×27	2
18	H116-718-000	25600000034	Ticket out label	62×20	2



1	2	3	4	5	6
2	S117-723-000	20511304019	Meter label	50×6	1
3	S117-724-000	20511304020	FCC certification 110V nameplate	248×68	1
4	S117-725-000	20511304021	Non-certification 110V nameplate	128×68	1
5	S117-701-000	20510916021	Notice label	110×41	1
6	S117-704-000	20511106033	Water mark label	70X95	1
7	S117-703-000	20511106030	Instruction label 4	90×70	1
8	S117-702-000	20511106028	Instruction label 2	50×70×0.3	1
9	S117-729-000	25600000001	Coin meter	30×6	1
10	S117-730-000	25600000002	Ticket out meter	30×6	1
11	S117-737-000	25600000046	Capsule meter	30×6	1
12	S117-731-000	25600000003	Volume label	30×6	1
13	S117-732-000	25600000017	Power SW label B	8×18	1
14	S117-735-000	25600000037	High voltage warning(large)	62×88	3
15	S117-734-000	25600000036	High voltage warning(small)	41×42	3
16	S117-743-000	25600000071	New voltage 110V	25×6	1
17	S117-744-000	25600000083	Fuse 10A/125V	33×6	1
18	S117-745-000	25600000091	New ground wire label	12×12	1

UNIVERSAL SPACE

D.O.M: \_\_\_\_\_

SERIAL #: \_\_\_\_\_

NAME: \_\_\_\_\_

7



6

5



4



!!! WARNING!!!  
DO NOT SERVICE UNIT  
WITHOUT READING  
OWNERS MANUAL  
HIGH VOLTAGE!!!

2

THIS GAME SHOULD BE  
SERVICED BY AUTHORIZED  
PERSONNEL ONLY

1

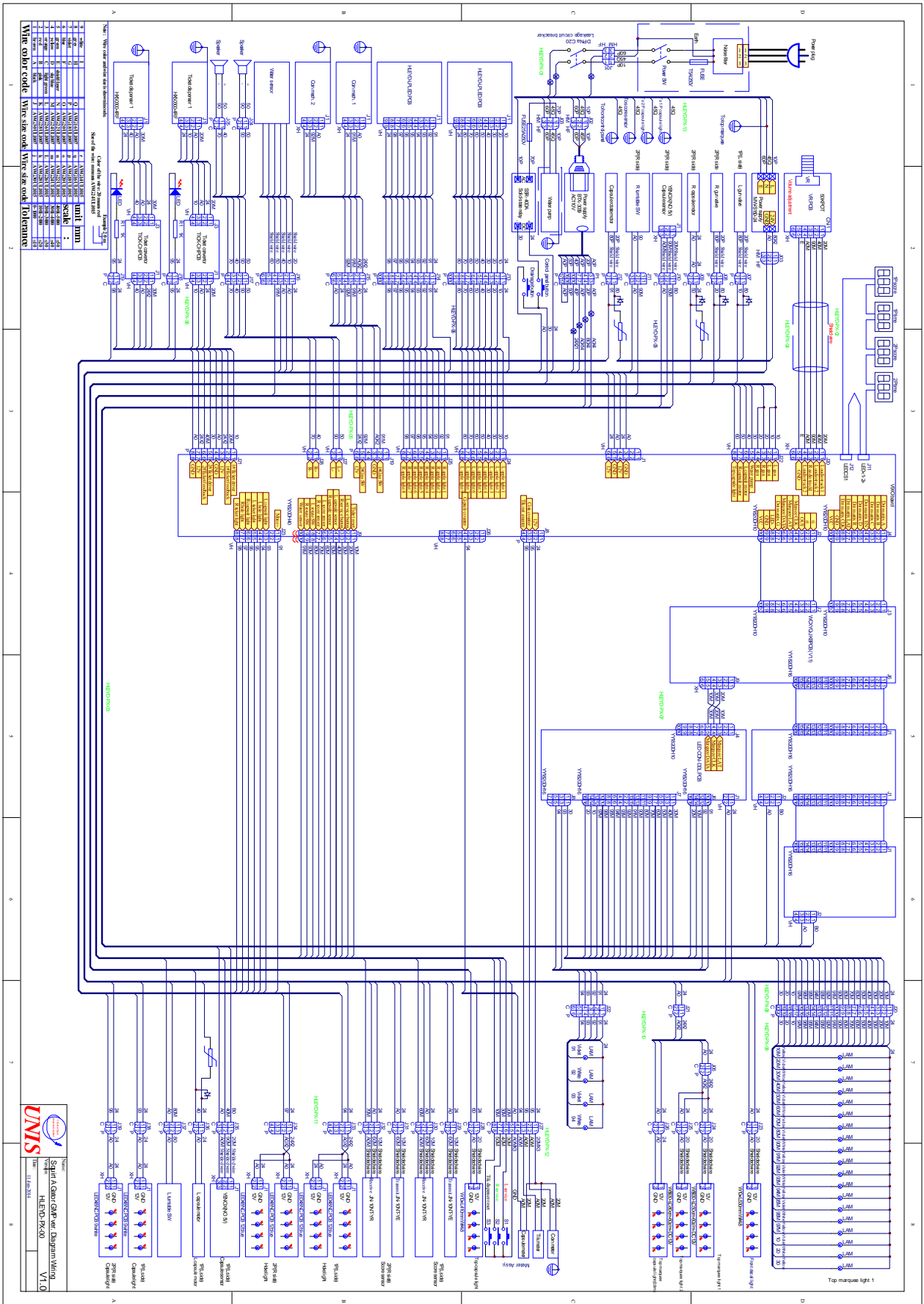
FOR PARTS AND SERVICE  
CONTACT UNIS USA  
972-241-4263

3



No.	Part No.	Code	Name	Spec.	Qty
1	S117-736-000	25600000042	Service information label 1	100×50	1
2	S117-742-000	25600000067	Service information label	100×60	1
3	S117-746-000	25600000095	New service label(large)	100X50	3
4	S117-741-000	25600000066	Fork here for unloading label	144×180	1
5	S117-740-000	25600000065	Fork here label	105×165	1
6	S117-739-000	25600000064	Do not fork label	105×165	1
7	S117-738-000	25600000063	Package information label	210×297	1



# Wiring Diagram





**Have Questions? Contact us!**

[www.universal-space.com](http://www.universal-space.com)

 <b>International Support Center</b>	 <b>USA Support Center</b>
Tel: +1-905-477-2823 Fax: +1-905-477-2660 Email: <a href="mailto:service@universal-space.com">service@universal-space.com</a> (Contact: Clement Yau)	Tel: 972-241-4263 Fax: 214-919-4918 Email: <a href="mailto:tsnelling@unisusasupportcenter.com">tsnelling@unisusasupportcenter.com</a> (Contact: Tim Snelling)