



Be Sure
to Read this
Manual
Before Use



Operation Manual



www.universal-space.com

WE ARE HERE TO ASSIST
For parts and service



Have Questions? Contact us!

UNIS SERVICE CENTER

Tel: 972-241-4263

Email: service@unisusasupportcenter.com

CONTENT

IMPORTANT SAFETY INSTRUCTIONS.....	3
1. SPECIFICATIONS.....	5
2. PACKAGE CONTENTS.....	6
3. PART NAME.....	7
4. SET UP & INSTALLATION.....	8
5. HOW TO PLAY.....	11
6. GAME OPTION.....	11
7. ERROR MESSAGE AND RECOVERY.....	13
8. MAINTENANCE & INSPECTION.....	14
9. OVERALL CONSTRUCTION.....	14
10. WIRING DIAGRAM.....	23

Non-technical personnel who do not have technical knowledge and Expertise should refrain from performing such work that this manual require or perform tasks which are not explained in this manual. Failing to comply can cause severe accidents such as electric shock or other serious injuries. All repairs must be performed to original manufacturer specifications.

WARNING: To reduce the risk of fire, electric shock or personal injury, unplug or disconnect the machine from the power supply before servicing.

Thank you for purchasing **Penguin Slope**. We hope you enjoy the product.

This manual contains valuable information about how to operate and maintain your game machine properly and safely. It is intended for the owner and/or personnel in charge of product operation. Carefully read and understand the instructions.

If you need any help during installation and setup please utilize this manual and troubleshooting guide. If the product fails to function properly, *non-technical personnel should under no circumstance attempt to service the machine*. Contact your distributor or manufacturer for help.

Before use, please read **IMPORTANT SAFETY INSTRUCTIONS**.

IMPORTANT SAFETY INSTRUCTIONS

To ensure the safe usage of this product, carefully read and understand these instructions before operating your game.

Save these instructions for future reference.

Use this product only as described in this manual. Other uses not recommended may cause fire, electric shock or personal injury. Unplug the game from the outlet when not in use, when moving from one location to another, and before cleaning/servicing.

Explanations which require special attention are indicated by signs of warning. Depending on the potential hazardous degree, the terms: **NOTE**, **NOTICE**, and **WARNING** are used.

NOTE: A NOTE indicates useful hints or information about product usage.

NOTICE: A NOTICE indicates potential damage to product and how to avoid the problem.

WARNING: A WARNING indicates a potential for product damage or serious personal injury.

It is important to understand the meaning of the following HAZARD SIGNS before continuing:

High Voltage and Shock Hazard:

High voltage can cause electric shock.
Turn off/unplug power before servicing.



High Temperature Hazard:

This part may cause scalding.
Do not touch. Surface may be hot.



No Touching Hazard:

This part may be hot or can cause electric shock.
Do not touch.



Use the following safety guidelines to help ensure your own personal safety and to help protect your equipment and surrounding environment from potential damage.

 **This product is an indoor game machine. Do not install outdoors.**

Avoid installing in the following places to prevent fire, electric shock, injury and/or machine malfunctioning:

- Places subject to rain/moisture, or places subject to high humidity.
- Places subject to direct sunlight, or places subject to extremely hot or cold temperatures to ensure that it is used within the specified operating range.
- Places where inflammable gas may be present or in the vicinity of highly inflammable/volatile chemicals or items that can easily catch fire
- On unstable or sloped surfaces. The machine may topple or cause unforeseen accidents.
- Vicinity of fire exits, fire extinguishers etc that may block/prevent safety measures

IMPORTANT NOTE:

ALL REPAIRS MUST BE DONE TO ORIGINAL MANUFACTURER SPECIFICATIONS. FAILURE TO DO SO VOID ALL WARRANTIES AND OPERATOR ASSUMES ALL RISKS.

Note: The contents of this manual may be updated without notice.

1. SPECIFICATIONS

Rated power supply: AC110V 50/60Hz;

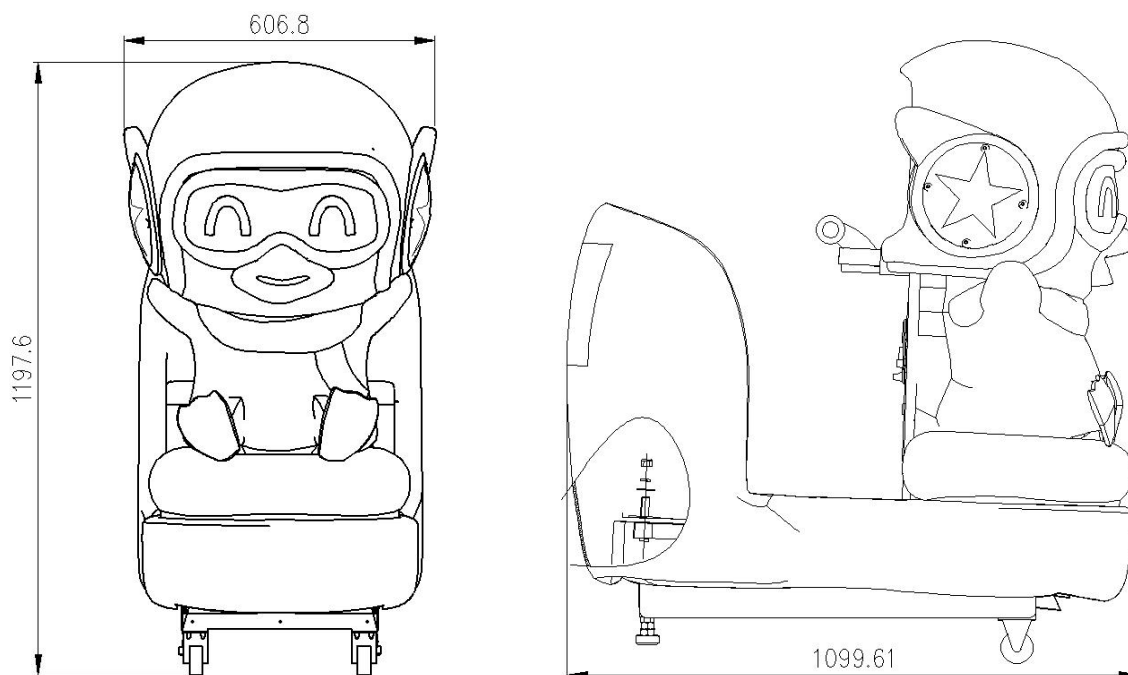
Min. Power consumption: 90W

Max. Power consumption: 200W

Dimensions: W606×D1099×H1197 (mm)

Weight: Approximately 70 kg

! **NOTICE:** After turning off the game, please wait at least 1 minute before restarting again.







Note: Game parameters are subject to change without notice.

! **NOTICE:** After turning off the game, please wait at least 1 minute before restarting again.

2. PACKAGE CONTENTS

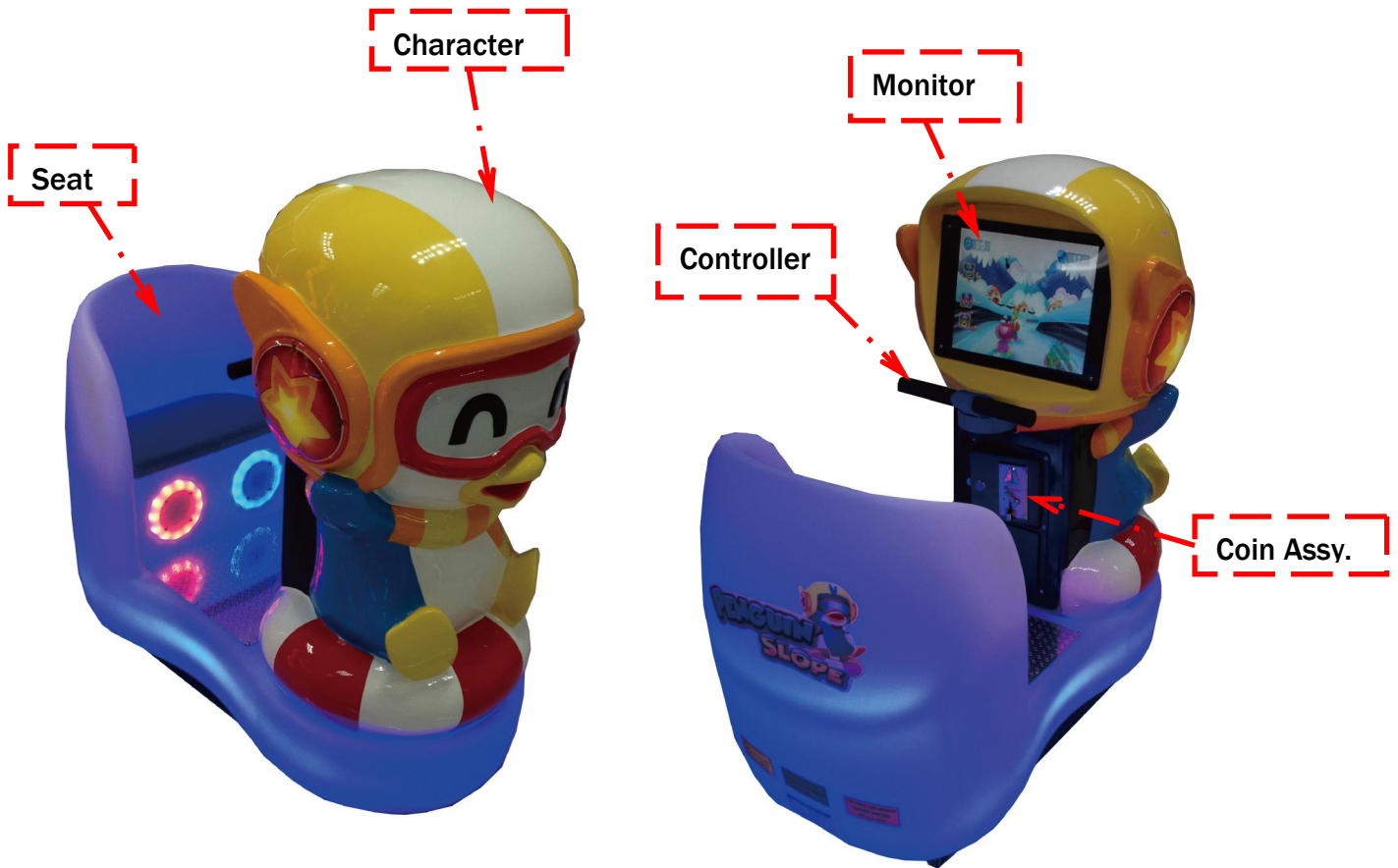
Open the package and make sure all the items are included:

1. 1 x Body Assembly
2. Following accessories

No.	Part No.	Code	Name	Spec.	Qty	Picture
1	P130-433-000	21901000016	Fuse	Φ5×20mm 6.0A 125VAC	2	
2	P130-801-000	23301010020	Power cord	3×16AWG 1.8M 90	1	
3	P130-802-000	25300171002	Key	171	1	
4	P130-803-000	25300172002	Key	171B	1	
5	P130-804-000	4144000182	Manual	English	1	

NOTE: Part models are subject to change without notice.

3. PART NAME



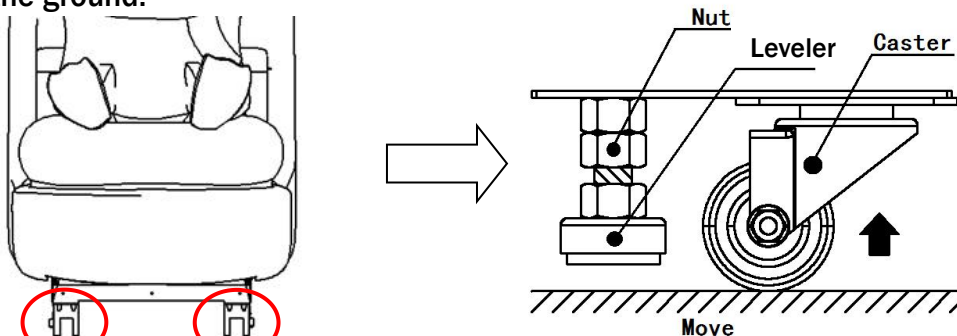
4. SET UP & INSTALLATION

! This product is an indoor game machine. Do not install outdoors.

- Refer to IMPORTANT SAFETY INSTRUCTIONS (Pg. 2) for places to avoid
- Place the unit on a dry level surface
- Ventilation openings in the back of the unit must not be obstructed by objects or by wall.

4.1 Transporting the Game

If you need to move the game, adjust the levelers back to an “up” position so the casters touch the ground.



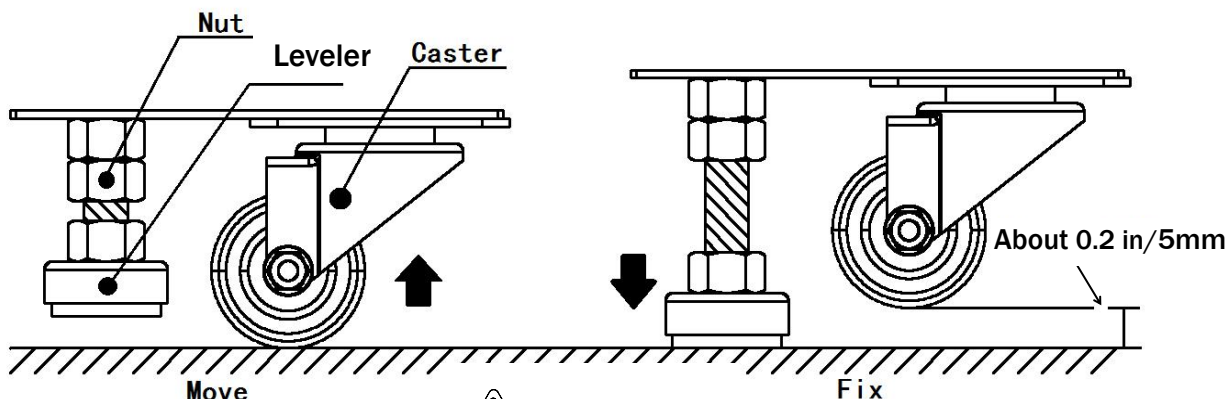
! NOTICE

- Be careful not to damage the machine during transport.
- The machine should be handled with care when bringing it down from a higher level.
- Always unplug the game before moving.
- Keep the machine in upright position during transport.
- For longer distance transport, package the game properly to prevent damages.

4.2 Level Adjustment

Install this game on a flat surface. If the game is installed on an unsuitable floor, it could cause game malfunction.

To secure the game, loosen the nut, utilize wrench to adjust the leveler down until it touches the floor, lifting the casters off the ground by 0.2 in/5mm. Repeat the same for all levelers.



! NOTICE

Make sure the machine is level.

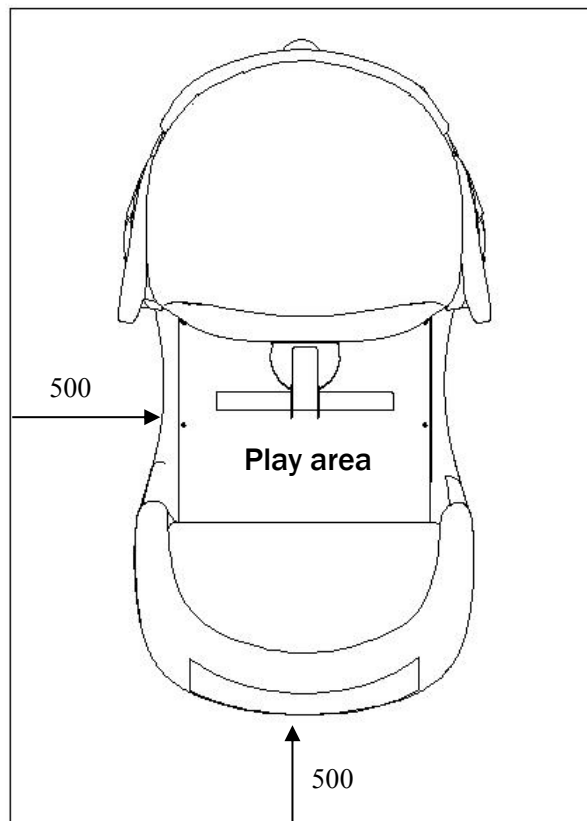
4.3 Play Zone

This machine requires space for playing and for maintenance as shown below.

Leave space around the game upon installation:

Service area: 500mm

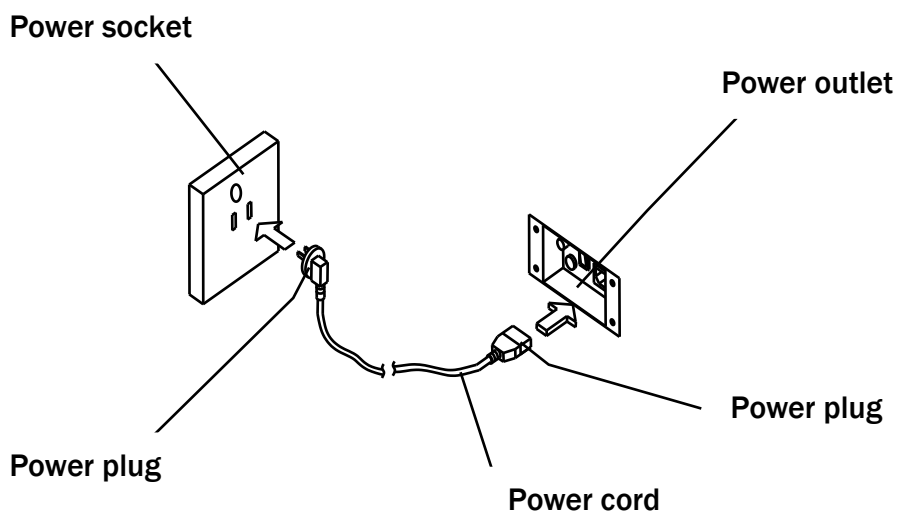
Play area: 500mm



4.4 Connecting Power

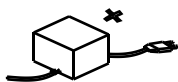
⚠ WARNING: Check the voltage rating before you connect the equipment to an electrical outlet to ensure that the required voltage and frequency match the available power source. Please refer the label of the machine.

- Do not plug the equipment power cables into an electrical outlet if the power cable is damaged.
- Avoid putting many loads on one electrical outlet as it could generate heat and fire resulting from overload.
- Connect the grounding conductor to the earth terminal (GND):

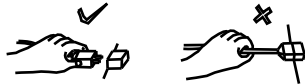


⚠ WARNING

Ensure no heavy objects rest on the power cord. Check to make sure the game cabinet does not sit on the power cord as this could damage the cord and become hazardous.



To disconnect the game, grip the plug and pull it from the wall outlet. Never pull by the cord.



To prevent electric shock, do not touch the power plug when hand is wet.



Ensure that nothing rests on the power cord and that it is not located where it can be stepped on or tripped over.



5. HOW TO PLAY

5.1 Turn left & right to avoid the gophers, hitting on the gophers will slow down the speed.

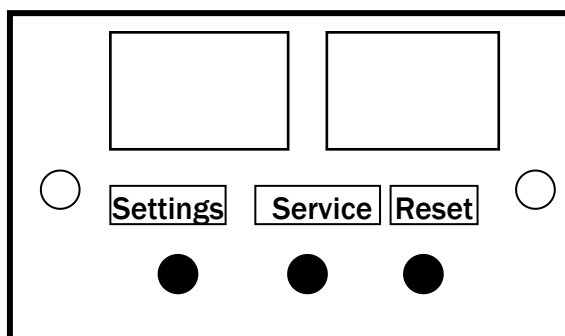
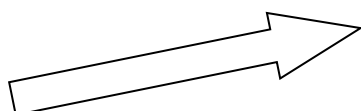
5.2 Collecting the fishes and donuts to get points.



Fish	Donut	Gopher

6. GAME OPTION

6.1 Adjustment button instruction



Open the coin door there is a meter panel. Press Settings button to get into the setting menu.

6.2 Setting Menu

6.2.1 Main Menu

Basic Setting
Input Test
Output Test
Game Reset
Date/Time Setting
Language/语言
Book Keeping
Daily Record
About This Game
Back To Game

6.2.2 Basic Setting

Free Play	ON/OFF
Demo Music	ON/OFF
Memory Save	ON/OFF
Volume	0 - 10
Game Time	150
Coins Per Game	1
Back&Save	
Back	

6.2.3 Input Test

Coin
Direction Left
Direction Right
Back

6.2.4 Output Test

Motor Driver
Ear Lamp Effect
Back

6.2.5 Game reset

Factory restore
Reset Basic Setting
Reset Customized Setting
Clear all records
Clear Unused Coin
Back

6.2.6 Game reset

Year	2000 - 2100
Month	1- 12
Day	1 - 28/29/30/31
Hour(24)	1 - 23
Minute	1 - 59
Second	1 - 59
Back&Save	
Back	

6.2.7 Date /Time Setting

Year	2000 - 2100
Month	1- 12
Day	1 - 28/29/30/31
Hour(24)	1 - 23
Minute	1 - 59
Second	1 - 59
Back&Save	
Back	

6.2.8 Bookkeeping

Player1	Coins	Tickets	Payout
1	0	0	0.00
Back			

6.2.9 Daily Record

Date	Weekday	RunTime	Coins	Tickets	Payout
2014-06-06	Fri	00:01	0	0	0.00
Prev. Page					
Next Page					
Clear					
Back					

6.2.6 About this game

CPU	Intel(R) Core(TM)i5-4460 CPU@3.20GHz
Main Board	Gigabyte Technology Co.,Ltd.
HDD	ST500DM002-1BD142 ATA Device 465GB
RAM	8086MB
Monitor	K20101016006795
Screen	1024*768
Version	Penguin Slope

7. ERROR MESSAGE AND RECOVERY

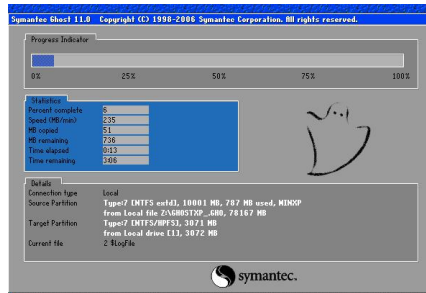
7.1 Trouble Shootings

- Please confirm whether every connector connected tightly.

Troubles	Cause	Methods
Cannot start	Frame assembly connector fall off	Please plug in connector tightly
	Frame assembly fault	Please contact with dealer
Power cutting	Circuit protector make power SW in cutting state	Please turn on power SW again. If appeared again and again, machine has anomaly. Please contact with dealer
Coin mech. no reaction	Coin mech. fault	Change coin mech.
	Coin mech. signal cable loosen	Check coin mech. signal line loosen or not
	IO control board fault	Change IO board
Speaker no sound	Volume set too low	Please raise the volume
	Connector falls off	Please plug in connector tightly
	PCB fault	Please change PCB
	Speaker fault	Please change speaker
Monitor black screen	Connector falls off	Please plug in connector tightly
	Monitor fault	Please change monitor
Monitor blue screen	PC power cord is loose	Check PC power cord whether is loose.
	VGA signal cable is loose.	Check VGA signal whether is loose.
	PC video card is loose.	Plug video card again.
	PC into protection	Open front cover, if power on light flash all the time. Press power button 30s, then restart.
Playing normal, but appear system halted	Video card is loose or poor contact	Plug video card again
	PC crash	Restart or system recovery
	Connector falls off	Please plug in connector tightly
	POT install error	Please install POT correctly
	POT fault	Please change POT
	Button breakdown	Please change star button

7.2 System Recovery Operation **(NOTE: Do not disconnect power during this process.)**

1. Turn off the game. Remove recovery stick from the machine. (Note: This process may take up to 60 minutes) Insert the recovery stick into the port at the back of the computer.
2. Restart PC to enter the system recovery screen as shown.



3. The game will automatically start recovery.
4. Once system recovery is partially finished (as shown below), and the ICON appears, remove the recovery stick from the computer. The game will continue the install process.

OK to remove the recovery stick.



5. Assure that the recovery stick has been properly secured for future use.



WARNING: The recovery stick should only be used to fix software errors. Using it for other purposes may cause unexpected results and damages.

8. MAINTENANCE & INSPECTION

8.1 Safety Check

Check the points listed before operating the machine. These checks are necessary for safe machine operation:

1. Try to run the game before operation each day.
2. Conduct monthly routine checks of game components ensure good working condition
3. Check the machine regularly for dust and clean when necessary.

Note: Parts and components require preventative maintenance to be kept running smoothly

8.2 Handling Precautions

When installing or inspecting the machine, be very careful of the following points and pay attention to ensure that the player can enjoy the game safely.

Non-compliance with the following points or inappropriate handling running counter to the cautionary matters herein stated can cause personal injury or damage to the machine

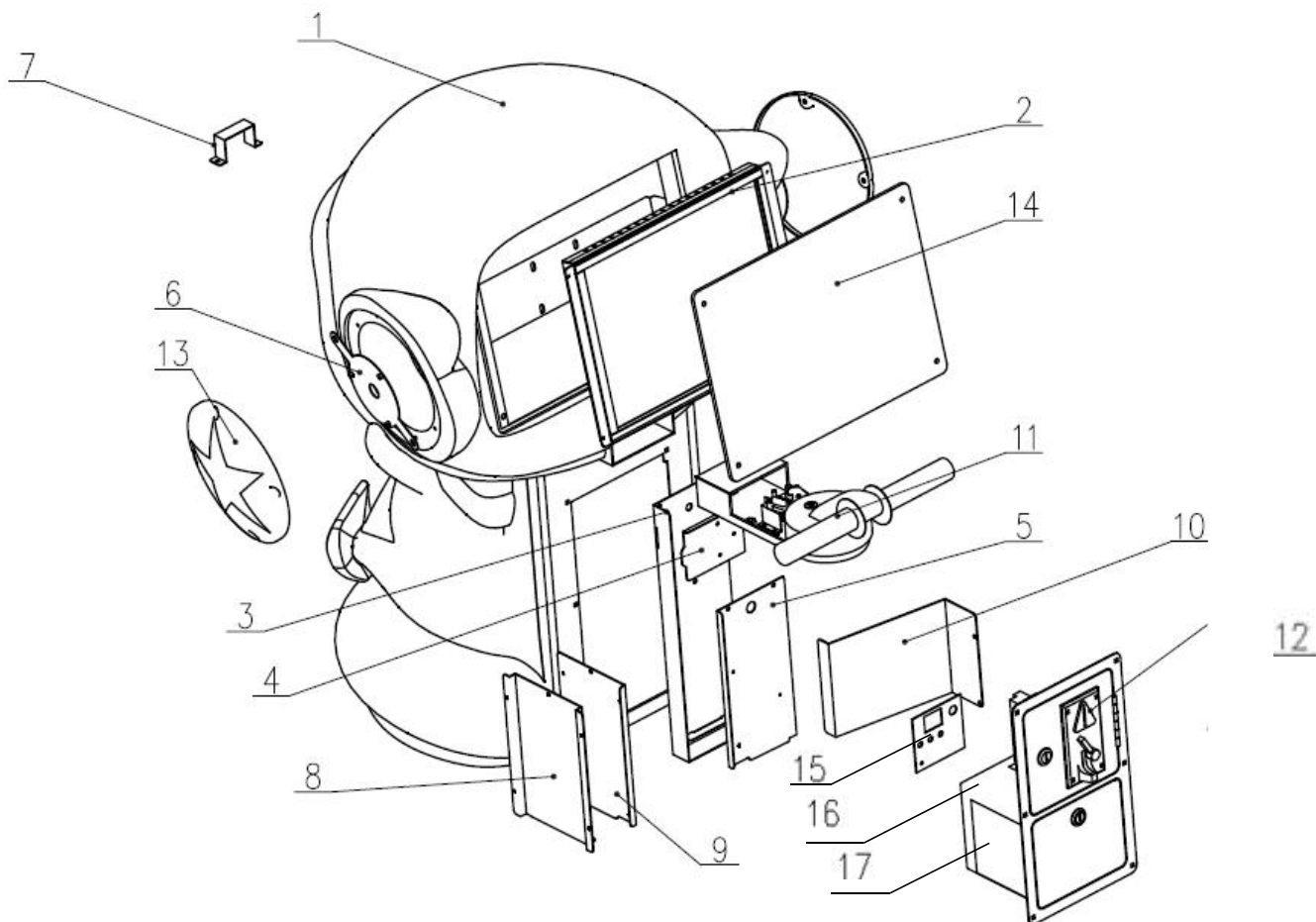


WARNING

- Before servicing the machine, be sure to turn power off. Servicing without turning the power off can cause electric shock or short circuit.
- To avoid electric shock or short circuit, do not plug then unplug the power quickly
- Do not expose power cords and earth wires, these are susceptible to damage.
- Damaged cords and wires can cause electric shock or short circuit and should be replaced immediately.
- When or after installing the product, avoid pulling the power cord to prevent unnecessary wear and tear. Use the power button to disconnect power.
- In case the power cord is damaged, ask for replacement through where the product was purchased from or replace locally. Continued usage of damaged cord can cause fire, electric shock or leakage.
- Perform grounding appropriately. Inappropriate grounding can cause electric shock.
- Use fuses that meet specified rating. Fuses exceeding can cause an electric shock.
- Should a problem occur, turn off the power immediately and stop operating the machine. Unplug the power cord of the service outlet. Operating the machine without correcting the problem may cause a fire or injuries.
- Insert the power plug securely into the outlet. Poor contact may cause overheating, resulting in fire or burns.
- To ensure the warning labels attached on the machine are visible and legible, install the machine in a well-lit location, and keep the labels clean at all times. Make sure the labels are not hidden behind other game machines.

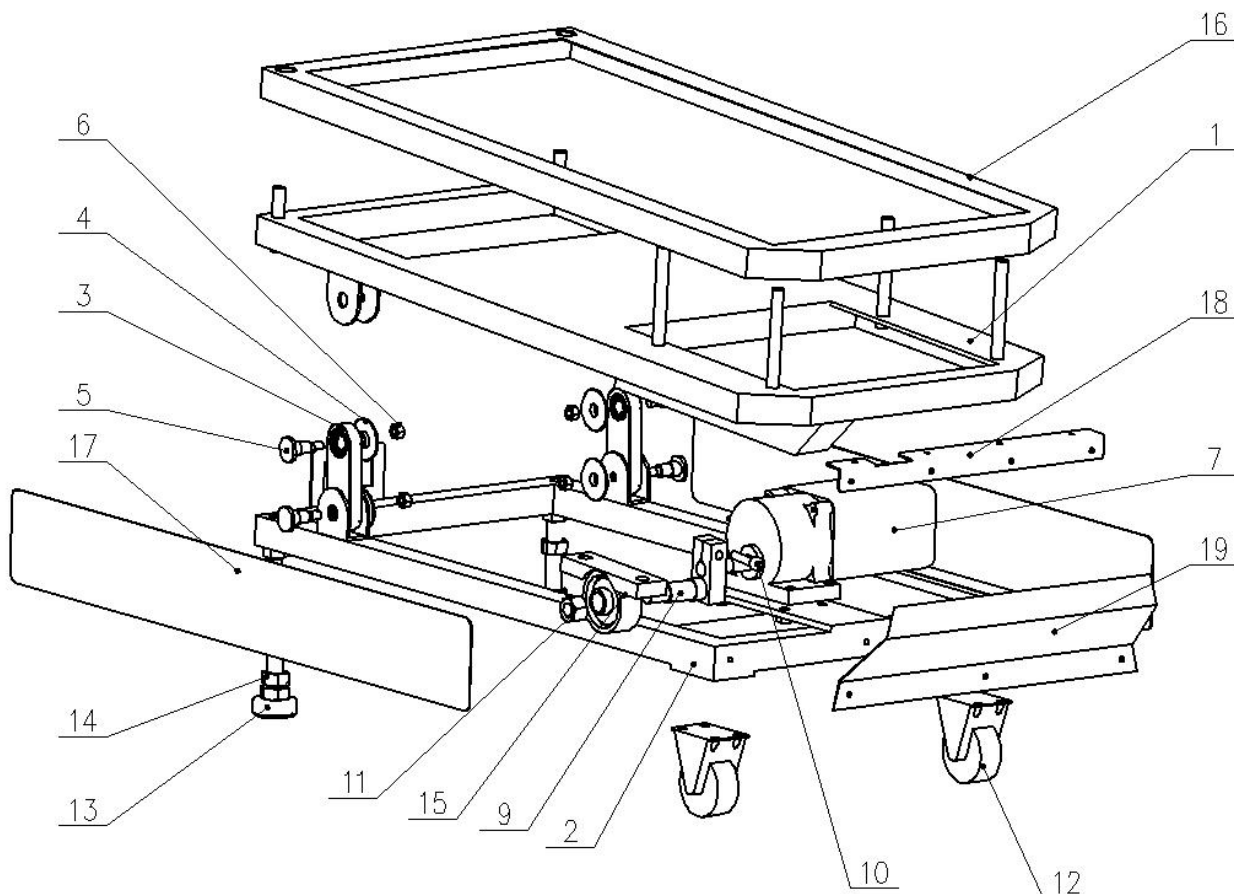
9. OVERALL CONSTRUCTION

9.1 Penguin body



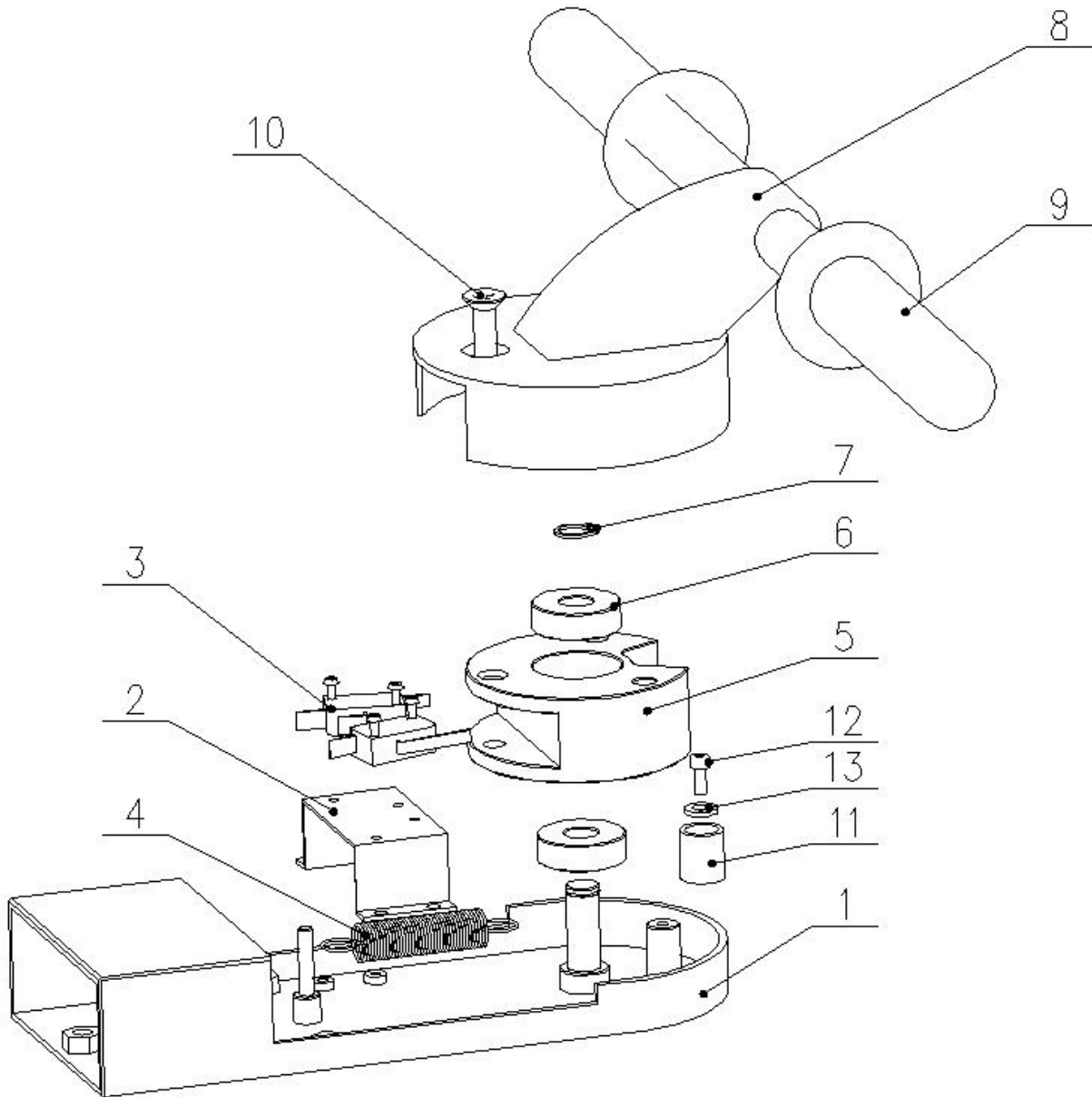
No.	Part No.	Code No.	Name	Material	Qty
1	P130-601-000	20441613001	Penguin	Fiber glass	1
2	P130-423-000	21201015001	15" LCD display		1
3	P130-108-000	20241613010	Power box metal plate	SECC	1
4	P130-109-000	20241613011	Relay metal plate	SECC	1
5	P130-110-000	20241613012	Power box metal plate	SECC	1
6	P130-111-000	20241613013	Earmuff metal plate	SECC	2
7	P130-112-000	20241613014	Adapter fixed socket	SECC	1
8	P130-113-000	20241613015	Android metal plate	SECC	1
9	P130-114-000	20241613016	Android metal plate 2	SECC	1
10	P130-115-000	20641613004	Protect board	Clear PVC	1
11	P130-001-000	29941613007	Coin box Assy.	Assy.	1
12	P130-002-000	29941613006	Handle Assy.	Assy.	1
13	P130-706-000	20541613001	Earmuff plastic	Clear PVC	2
14	P130-707-000	20541613002	Display cover	Clear PVC	1
15	P130-137-000	20241613033	Meter mounting board	SECC	1
16	P130-416-000	26000064000	U disk fixed plate		1
	P130-138-000	20241613034	Battery fixed metal	SECC	1
17	P130-139-000	20241613035	Battery pressing plate	SECC	1

9.2 Swinging Assy.



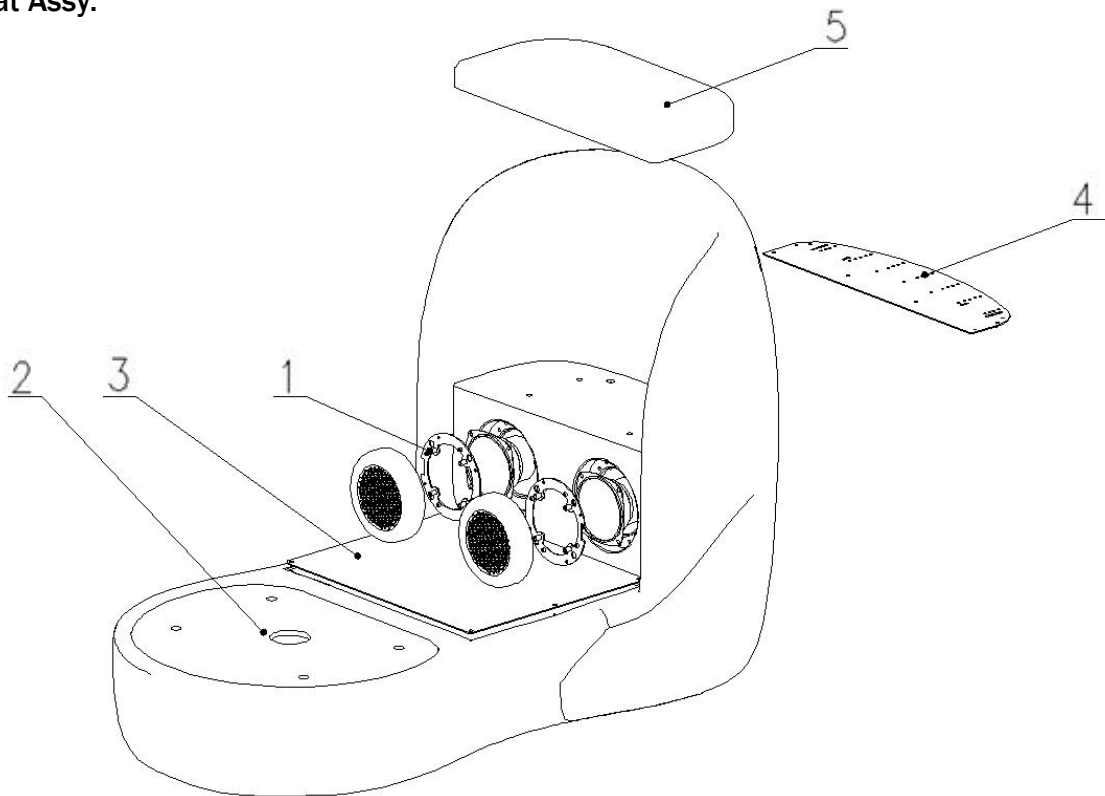
No.	Part No.	Code No.	Name	Material	Qty
1	P130-120-000	20241613020	Up swinging bracket	30x30 square tube	1
2	P130-121-000	20241613021	Down swinging bracket	30X30 square tube	1
3	P130-122-000	20241613022	Double bearing block	45# steel	2
4	P130-123-000	20241613026	Junk ring	Brass	4
5	P130-124-000	20241613023	Bearing pin	45#Steel	4
6	P130-317-000	20102100023	Non-metallic hexagon lock nut	Stainless steel	1
7	P130-403-000	23405000176	AC gear motor	51K60GU-AF 110V UL	1
8	P130-318-000	20101000169	Hexagon cap head screw		1
9	P130-125-000	20241613024	Motor shaft	45#Steel	1
10	P130-320-000	20101006170	Hexagon cap head screw	Q235	1
11	P130-322-000	20102000004	Non-metallic hexagon lock nut	Q235	1
12	P130-404-000	25501000060	Caster		2
13	P130-413-000	20251301035	Cabinet leveller	Q235	2
14	P130-405-000	20106130016	Spherical surface ball BR. (with stand)		1

9.3 Handle Assy.



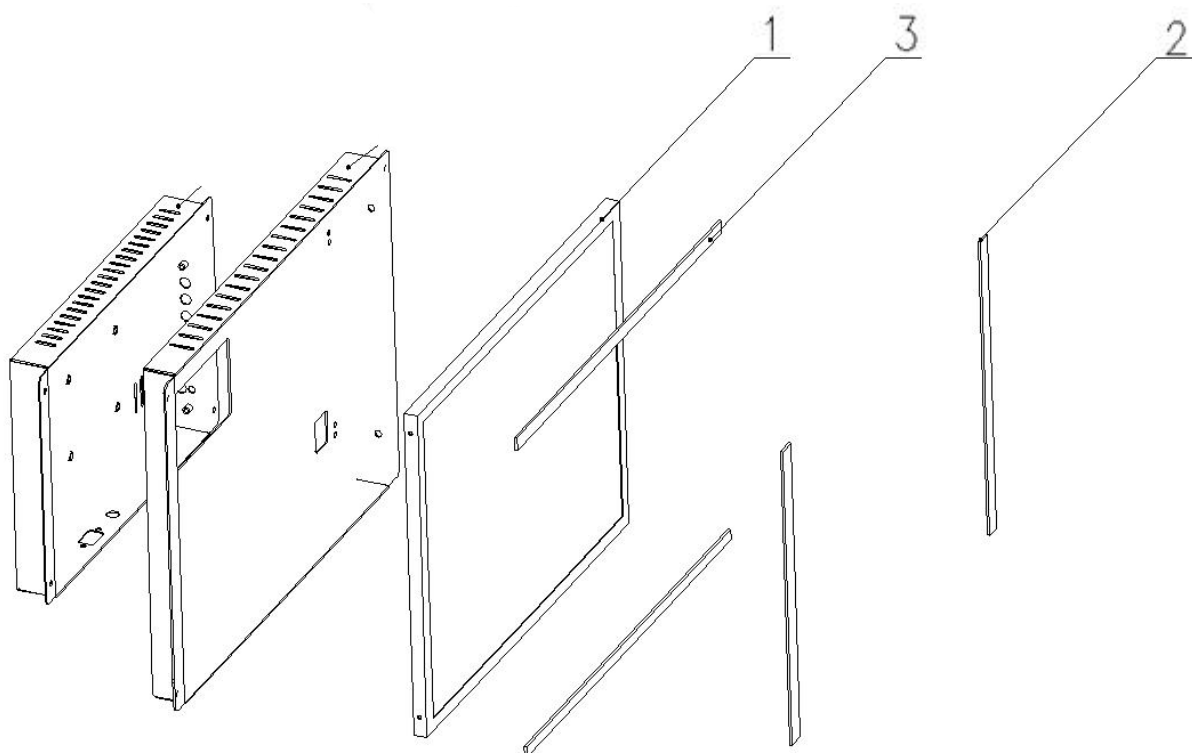
No.	Part No.	Code No.	Name	Material	Qty
1	P130-130-000	20241613007	Handle fixed bracket	Q235	1
2	P130-131-000	20241613019	Micro SW mounting board	SECC	1
3	P130-416-000	22604000039	Micro SW	Green	1
4	P130-412-000	20241317023	Extension spring	Φ2 Black	1
5	P130-132-000	20241613025	Bearing socket	Black	1
6	P130-406-000	20106000203	Deep groove ball BR.	6201	2
7	P130-332-000	20105000020	A type spring washer(Shaft)	do12	1
8	P130-133-000	20241613008	Handle plastic	δ3 Plastic Blue	1
9	P130-407-000	25102000035	Handle		2
10	P130-327-000	20101007010	Hexagon socket countersunk screw	M8×35	1
11	P130-134-000	20641613001	Damping rubber	δ2	1
12	P130-333-000	20101000040	Cross recessed pan head screw suite	M4×8	1

9.3 Seat Assy.



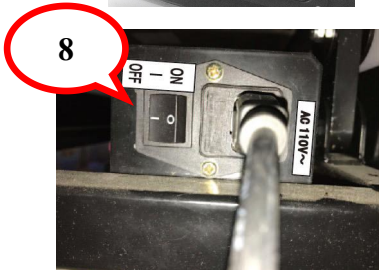
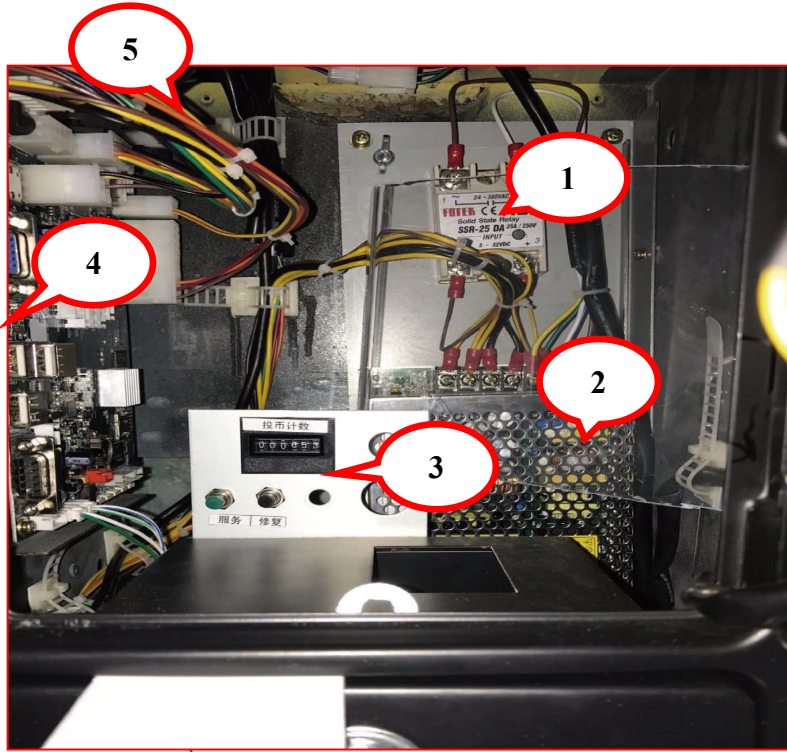
No.	Part No.	Code No.	Name	Material	Qty
1	P130-426-000	29751301003	Speaker light board	LED-SP.PCB(V1.0)	2
2	P130-116-000	20641613005	Penguins seat	∅8 Plastic	1
3	P130-117-000	20241613027	Antiskid plate	∅2.0 aluminum plate	1
4	P130-119-000	20641613009	Seat pad	Blue Plywood+ leather	1
5	P130-118-000	20641613002	Light board	∅1 PVC	1

9.4 Display Assy.

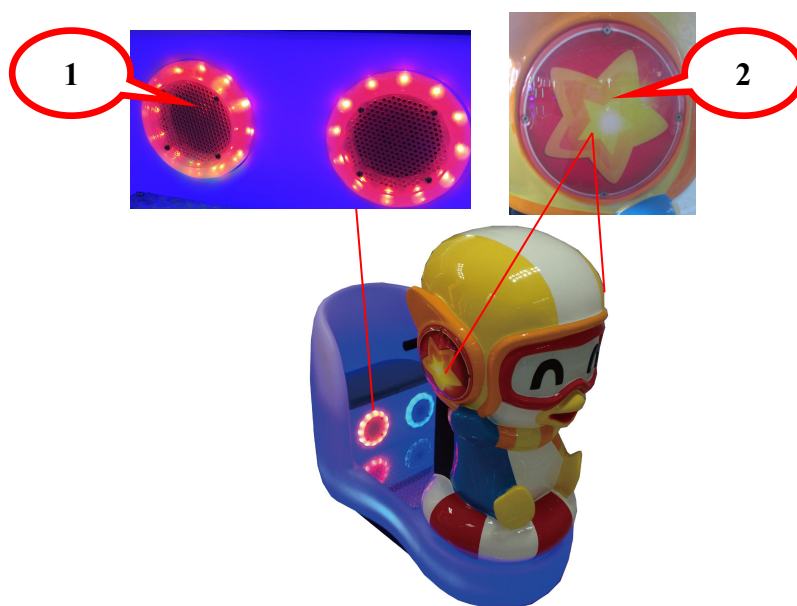


No.	Part No.	Code No.	Name	Material	Qty
1	P130-423-000	21201015001	15" LCD display		1
2	P130-105-000	20641613006	Display pad	φ2 Black EVA	2
3	P130-106-000	20641613007	Display pad 2	Black EVA	2

9.5 Electrical part

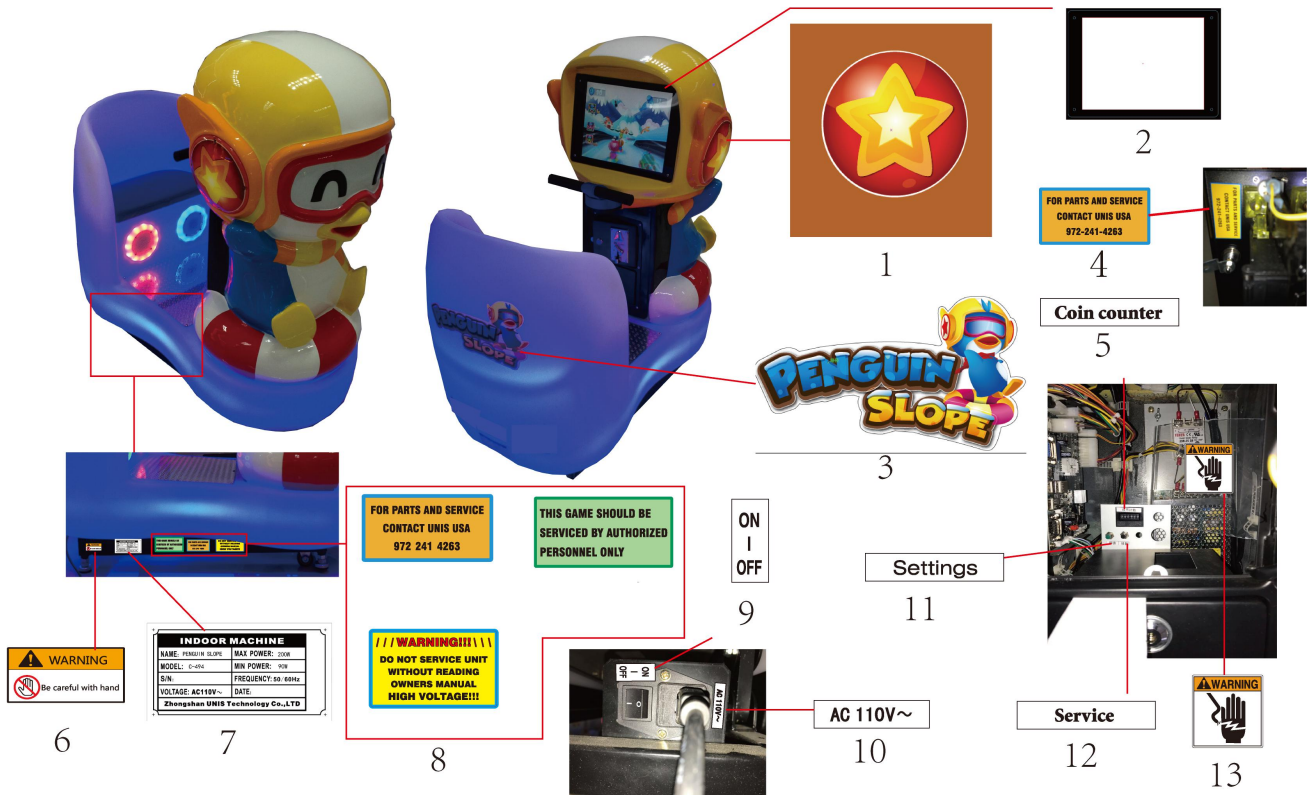


No.	Part No.	Code No.	Name	SPEC	Qty
1	P130-417-000	22140000002	Relay	SSR-25DA	1
2	P130-429-000	21602000094	Power box	MW-S-150-12	1
3	P130-419-000	23000000005	Meter	C-012 DC12V	1
	P130-420-000	22402010001	Red button	DS-316 Red	1
	P130-421-000	22402030001	Green button	DS-316 Green	1
4	P130-422-000	21107210020	A31S Android board	MB-A31S(V2.0)	1
	P130-434-000	21107210021	Battery	3.7V/2500mah	1
5	P130-431-000	23309000232	Wiring set		1
6	P130-423-000	21201015001	15" LCD display	15" LCD	1
7	P130-418-000	22301000001	Coin mech.		1
8	P130-428-000	23201000003	Filter	CW2B-6A-T(004) UL	1
	P130-801-000	23301010020	Power cord	3×16AWG 1.8M 90	1
	P130-433-000	21901000016	Fuse	Φ5×20mm 6.0A 125VAC	1
9	P130-438-000	21902000024	Fuse	Φ5×20mm T5A/250V	2
10	P130-439-000	21901000012	Fuse bracket		2



No.	Part No.	Code No.	Name	SPEC	Qty
1	P130-425-000	22801000003	Hi-mid speaker	4"8Ω10W	2
	P130-426-000	29751301003	Speaker light board	LED-SP.PCB(V1.0)	2
2	P130-432-000	29711213003	LED light board	XYWCQ-LED01.PCB(V1.0)	2

9.6 Decal part



No.	Part No.	Code No.	Name	Material	Qty
1	P130-706-000	20541613001	Earmuff plastic	Clear PVC	2
2	P130-707-000	20541613002	Display cover	Clear PVC	1
3	P130-708-000	20541613003	Seat decal	0.3 PVC	1
4	P130-705-000	25600000096	Service label S	PVC100u	1
5	P130-712-000	25600000001	Meter label	PVC100u	1
6	P130-710-000	20541613005	Be careful with hand label	PVC100u	1
7	P130-709-000	20541613004	110V uncertified nameplate	1MMPVC	1
8	P130-704-000	25600000095	Service label L	PVC100u	1
	P130-703-000	25600000067	Service label	PVC100u	1
	P130-702-000	25600000042	Service label 1	PVC100u	1
9	P130-701-000	25600000017	Power SW label B	PVC100u	1
10	P130-711-000	25600000071	110 V label	PVC100u	1
11	P130-715-000	25600000092	Settings label	PVC100u	1
12	P130-713-000	25600000009	Service button	PVC100u	1
13	P130-714-000	25600000036	Warning label S	PVC100u	1

