



## HOW TO ORDER PARTS

### MODELS 186, 187, 471, 472

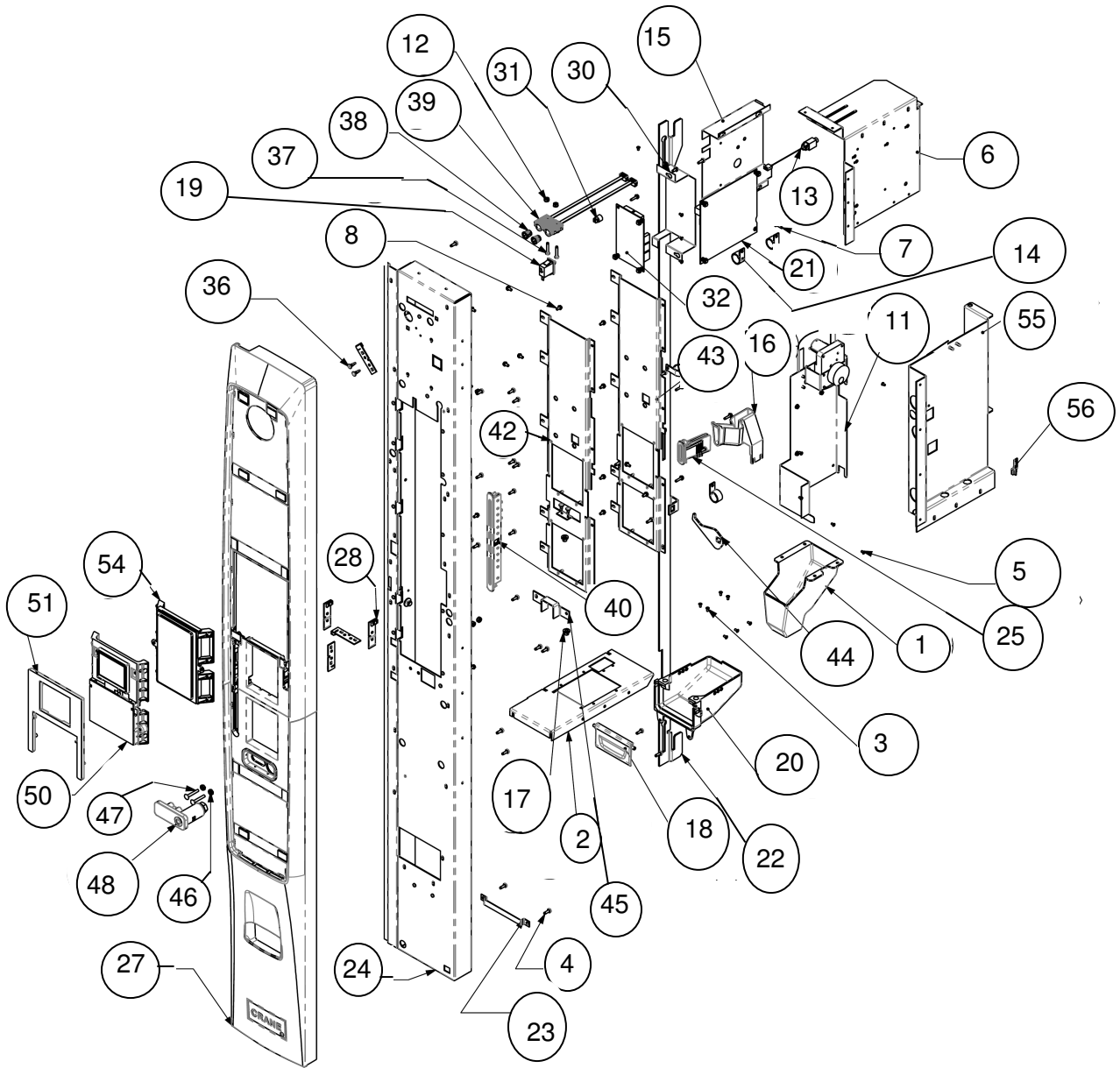
1. Refer to the machine breakdown above. Each assembly breakdown contains an item description and page location in this parts manual.
2. Determine part number(s) needed by referring to drawing of part. Locate item number from drawing and refer to item number, part number and description.
3. Complete your parts order, double check part numbers and quantities. Include a call back number in the event there is a question regarding your order. Fax, email or mail your order to National Vendors or place your order online at [www.cranems.com](http://www.cranems.com).
4. Specify how you would like your order to be shipped. If you do not specify, we will ship the most economical way. In the case of warranty replacements, we reserve the right to determine the method of shipment.

Should you have questions pertaining to this manual or the vendor, please contact National Vendors or write directly to:

National Vendors  
3330 Dixie Narco Blvd  
Williston, SC 29853 USA  
803-266-8890 or 800-621-7278  
803-266-5051 (fax)  
Email: [parts@cranems.com](mailto:parts@cranems.com)  
[www.cranems.com](http://www.cranems.com)

## List of Figures

FIGURE 1: ASSY, SERVICE DOOR, MERCHANT MEDIA .....	4
FIGURE 2: ASSY, MONETARY FAN MER CMB .....	8
FIGURE 3: COVER, CORD .....	10
FIGURE 4: ASSEMBLY, COIN MECH .....	12
FIGURE 5: ASSEMBLY, COIN MECH BEFORE DECEMBER 2012.....	12
FIGURE 6: DEL BIN ASSEMBLY COMMON AMBIENT 4W.....	14
FIGURE 7: BIN & PANEL ASM AMBIENT 4W.....	16
FIGURE 8: BIN & PANEL ASM COMBO 4W.....	18
FIGURE 9: DEL BIN ASSEMBLY COMMON 6W.....	20
FIGURE 10: BIN & PANEL ASM AMBIENT 6W.....	22
FIGURE 11: BIN & PANEL ASM COMBO 6W.....	24
FIGURE 12: ASSY, MERCHANT BEZEL.....	26
FIGURE 13: AMBIENT CABINET AND GLASS DOOR ASSEMBLY.....	28
FIGURE 14: COMBO CABINET AND GLASS DOOR ASSEMBLY.....	30
FIGURE 15: MONETARY PILL 3.5(KEYPAD).....	32
FIGURE 16: MONETARY PILL 7"(TOUCHSCREEN).....	34
FIGURE 17: REFRIGERATION UNIT ASSEMBLY – DOMESTIC 4W.....	36
FIGURE 18: REFRIGERATION UNIT ASSEMBLY – DOMESTIC 6W.....	38
FIGURE 19: COMBO ADA BIN BARRIER.....	40
FIGURE 20: ASSY, MEDIA INTERNAL KEYPAD.....	42
FIGURE 21: MEDIA TALKER SPEAKER AND BRACKET ASSY.....	44
FIGURE 22: SNACK TRAY.....	46
FIGURE 23: CANDY TRAY.....	48
FIGURE 24: SQUAT TRAY.....	50
FIGURE 25: HALF CYCLE GUM & MINT SPIRAL ASSEMBLY.....	52
FIGURE 26: SNACK AND CANDY TRAY ASSEMBLY COMBO.....	54
FIGURE 28: BOTTLE TRAY ASSEMBLY COMBO.....	58



**FIGURE 1: ASSY, SERVICE DOOR, MERCHANT MEDIA**

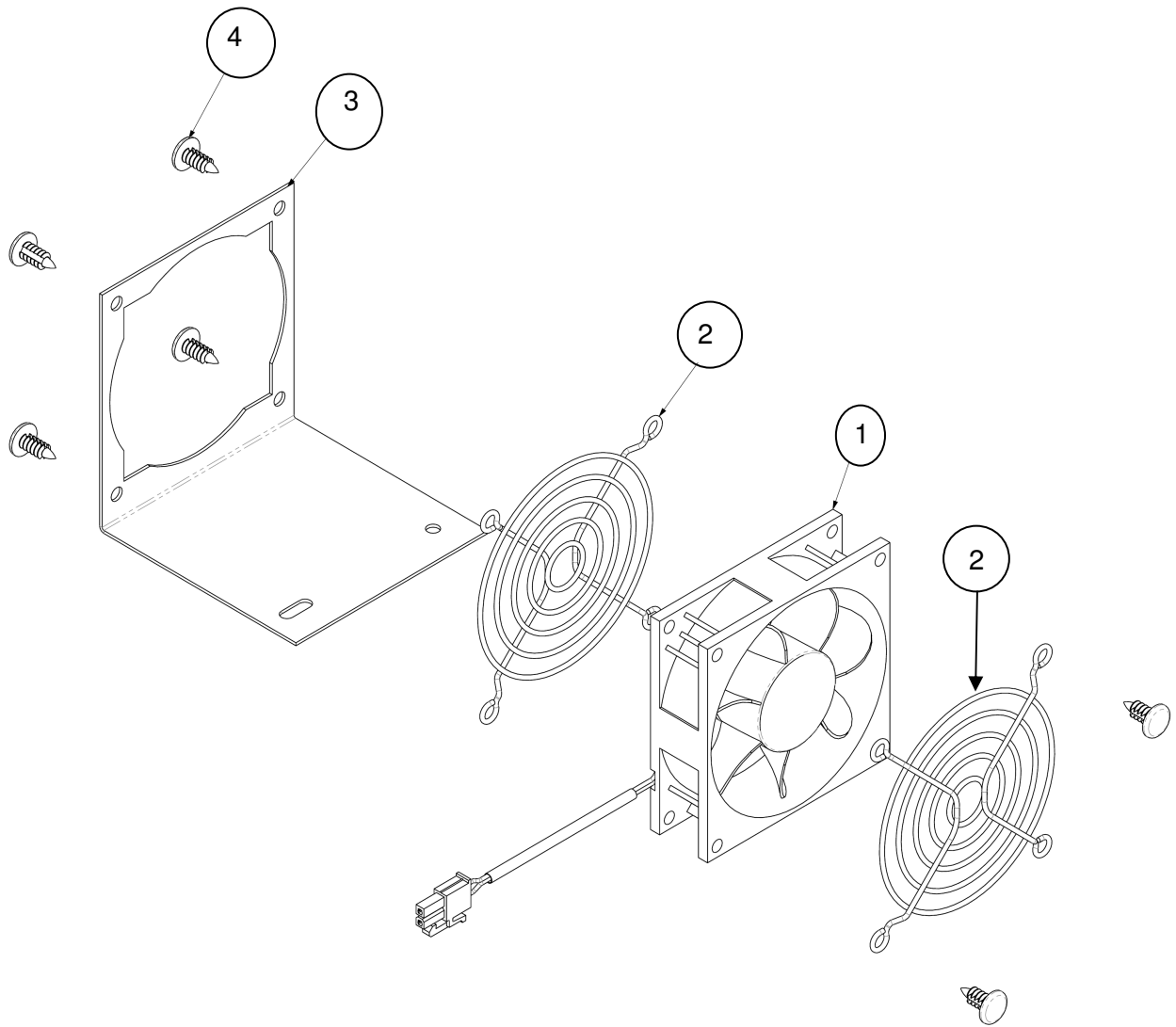
**TABLE 1: ASSY, SERVICE DOOR, MERCHANT MEDIA**

ITEM	KEYPAD 3.5"	TOUCHSCREEN 7"	DESCRIPTION	QTY
1	CR0013136	CR0013136	CHUTE, COIN RETURN LOWER MERCH	1
2	CR0013342	CR0013342	BRKT, LOWER CHUTE, COMBO	1
3	3502078	3502078	RIVET, POP-.125 DIA X .265	7
4	4277042	4277042	SCREW, #8-10 x.5 T/F-PHS	29
5	80110081	80110081	RIVET, 1/8 STEEL ZINC PLT	10
6	CR0016338	CR0016338	ASSY, BKT UPR G MONETARY	1
7	1471199	1471199	SCREW-#8-18 x .62 HEX/WH.	5
8	3157060	3157060	HARNESS-DOOR SWITCH	1
9	CR0010913	CR0010913	HARNESS-DOOR SWITCH( <i>NOT SHOWN</i> )	1
10	80491101	80491101	GROUND,R, LEAD 16AWG 32in( <i>NOT SHOWN</i> )	1
11	CR0018826	CR0018826	ASSY, COIN MECH	1
12	9900081	9900081	NUT, #8-32 KEPS ZINC PLATE	5
13	CR0012945	CR0012945	HARNESS, DEX PANEL MOUNT	1
14	6231035	6231035	CLIP, HARNESS .750	4
15	CR0014661	CR0014661	COVER, ATLAS G BOARD	1
16	CR0021138	CR0021138	CHUTE, COIN	1
17	1815066	1815066	STABILIZER-COIN MECH	2
18	CR0021032	CR0021032	FLAP COIN RETURN CUP, MERCH	1
19	1401110	1401110	SWITCH	1
20	CR0013137	CR0013137	CUP, COIN, BV/MERCH	1
21	CR0020294	CR0020293	BRD,W/SFTWR ATLASG	1
22	CR0014645	CR0014645	LOCKBAR	1
23	CR0014122	CR0014122	BRACKET, LOWER BOSS	1
24	CR0012804	CR0012804	ASSY, MERCHANT G SERVICE DOOR	1
25	CR0012773	CR0012773	INSERT, COIN RAMP	1
26	4727069	4727069	GASKET, .19X.38	48
27	CR0014990	CR0014990	ASSY, MERCHANT BEZEL	1
28	CR0014123	CR0014123	ASSY, PCB LED	5
29	CR0010661	CR0010661	HARNESS-LED( <i>NOT SHOWN</i> )	1
30	CR0013210	CR0013210	COVER, LED BOARD	1
31	1571034	1571034	STANDOFF, PCB-3/8 SCREW MOUNT	1
32	CR0014114	CR0014114	ASSY, PCB, LED DRIVER	1
33	CR0014535	CR0014535	HARNESS, LED BADGE( <i>NOT SHOWN</i> )	1
34	CR0010350	CR0010350	GUIDE, Ø5mm FLEX LIGHT( <i>NOT SHOWN</i> )	1
35	CR0015428	CR0015428	HARNESS, LED BUNDLE( <i>NOT SHOWN</i> )	1
36	80190380	80190380	STANDOFF,R,RICHCO	4
37	80030492	80030492	SCRW,R,8-32X1 PHLPAN ZNC	2
38	CR0012948	CR0012948	SLEEVE, SPLIT,LIGHT PIPE	2
39	CR0010922	CR0010922	LGHT ENGINE,HIGH BRGHTNESS RGB	2
40	CR0014768	CR0014768	A,BEZEL,CRDRDR & MAGHEAD	1
41	CR0014363	CR0014363	HARNESS, CARDREADER( <i>Not Shown</i> )	1
42	CR0014639	CR0014639	ASSY BRKT PAYMENT INT BILL	1
43	CR0014642	CR0014642	ASSY BRKT PAYMENT STD	1

**CRANE** Merchant™ Media Parts Manual

44	CR0012926	CR0012926	ARM, ACTUATOR	1
45	CR0014648	CR0014648	BRACKET, LOCK SURROUND	1
46	80080166	80080166	NUT,R, HEX, 10-24, W/WASHER	2
47	CR0010130	CR0010130	BOLT, CARRIAGE,#10-24-1 1/4	2
48	CR0012934	CR0012934	T-HANDLE, OFFSET, GLOBAL	1
49	CR0014650	NOT USED	HARNESS,CAPSENSE KEYPAD <i>(Not Shown)</i>	1
50	CR0014704	NOT USED	KEYPAD ASSY, MEDIA LITE	1
51	CR0014995	NOT USED	ASSY, FRAME KEYPAD MEDIA LITE	1
52	NOT USED	CR0010653	HARNESS MERCHANT LE TO LCD <i>(Not Shown)</i>	1
53	NOT USED	CR0013043	HARNESS-LVDS <i>(Not Shown)</i>	1
54	NOT USED	CR0010476	DISPLAY, TOUCH SCREEN 7in	1
55	CR0021133	CR0021133	ASSY, RT SIDE MONETARY BRKT	1
56	80130453	80130453	LATCH,R, ACCESS DOOR	1
57	CR0013989	CR0013989	HARNESS-MDB <i>(Not Shown)</i>	1
58	80492814	80492814	PWR CRD, GFCI INLINE 198" DOM <i>(Not Shown)</i>	1

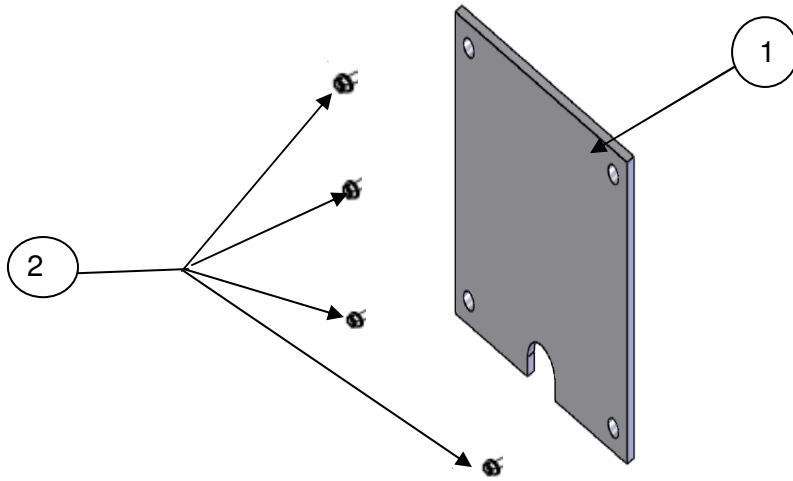
**THIS PAGE INTENTIONALLY LEFT BLANK**



**FIGURE 2: ASSY, MONETARY FAN MER CMB**

**TABLE 2: ASSY, MONETARY FAN MER CMB**

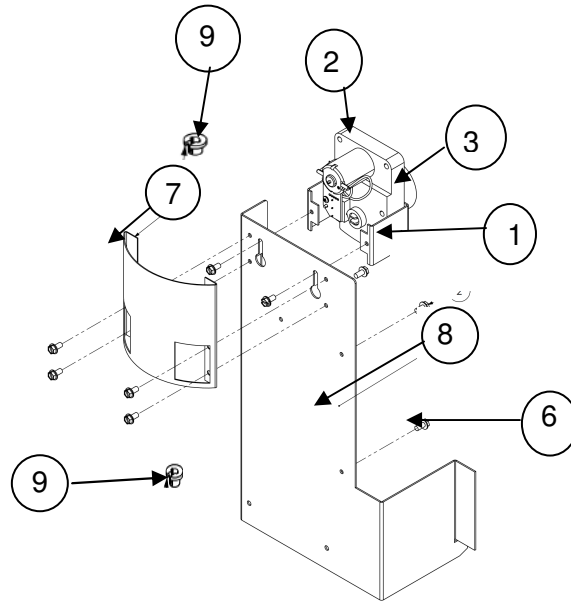
<b>ITEM</b>	<b>PART NUMBER</b>	<b>DESCRIPTION</b>	<b>QTY</b>
1	CR0020884	FAN, 80MM 24V MONETARY CMB	1
2	CR0020880	GUARD, 80MM FAN	2
3	CR0020892	BRKT, 80MM FAN CMB	1
4	CR0020950	RIVET,NYLON RIBBED SHANK BLK	6



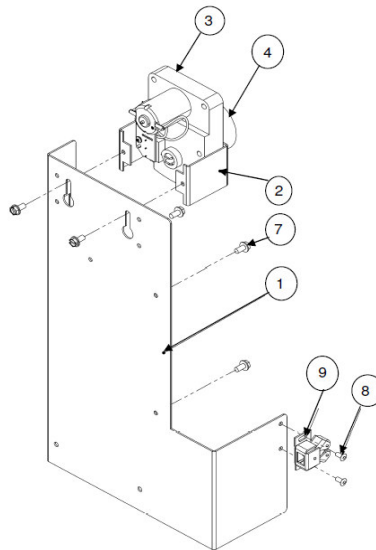
**FIGURE 3: COVER, CORD**

<b>TABLE 3: COVER, CORD</b>			
<b>ITEM</b>	<b>PART NUMBER</b>	<b>DESCRIPTION</b>	<b>QTY</b>
1	CR0014835	COVER, CORD	1
2	4741050	SCREW,#8-32X.50 HX.HD.-T/F-BLK	4

**THIS PAGE INTENTIONALLY LEFT BLANK**



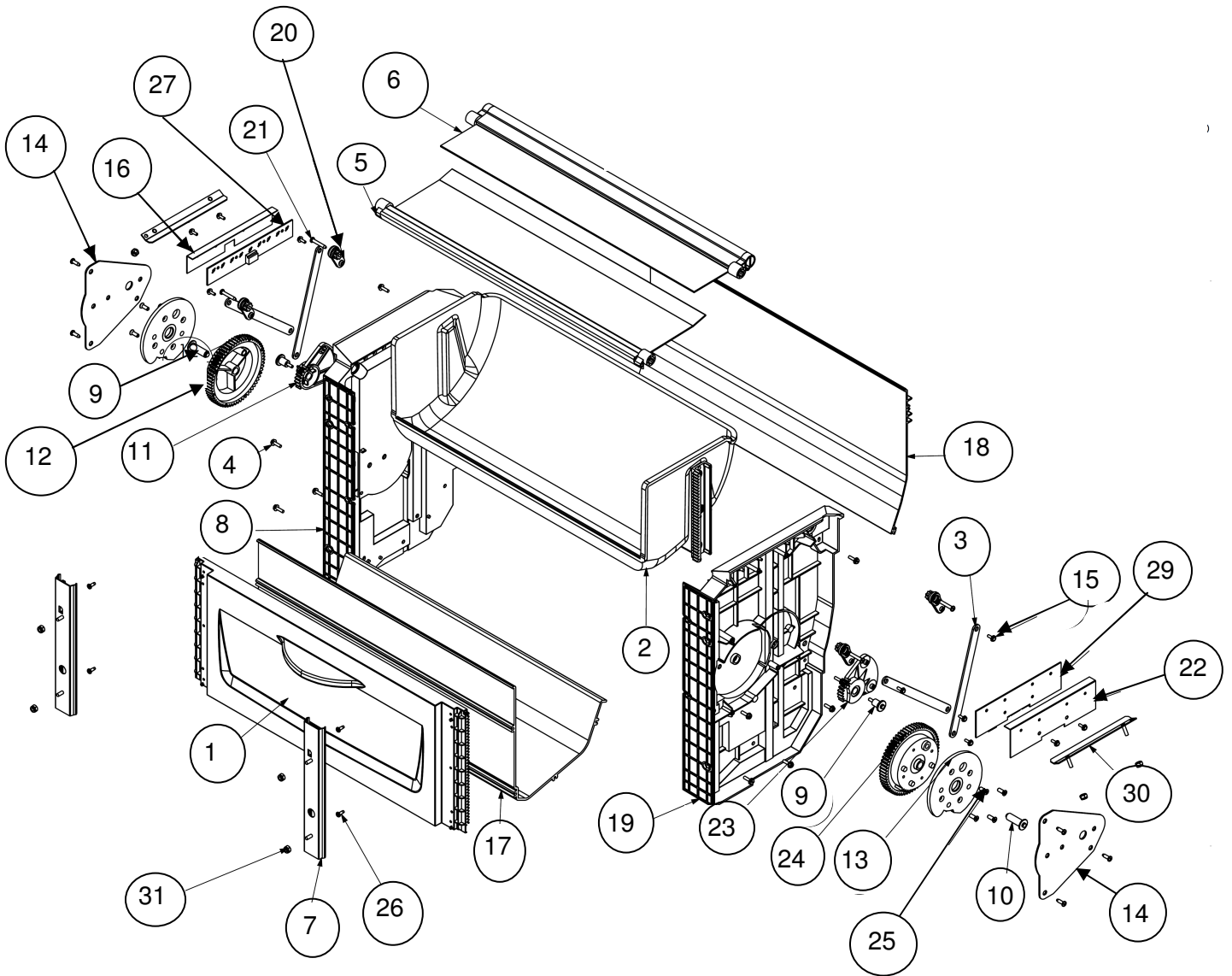
**FIGURE 4: ASSEMBLY, COIN MECH**



**FIGURE 5: ASSEMBLY, COIN MECH BEFORE DECEMBER 2012**

<b>TABLE 4: ASSEMBLY, COIN MECH</b>			
<b>ITEM</b>	<b>PART NUMBER</b>	<b>DESCRIPTION</b>	<b>QTY</b>
1	CR0012826	BRACKET, COIN RETURN MOTOR	1
2	1577038	MOTOR & PC BOARD ASSEMBLY	1
3	1815028	CAM-COIN RETURN	1
4	4407712	COUPLING-MOTOR <i>(Not Shown)</i>	1
5	1457027	SCREW,#8-32 X .81 HEX HD. <i>(Not Shown)</i>	2
6	3157060	SCREW,#8-32X.31 HEX W/HD.-TF	5
7	CR0014129	SHIELD, ALIGNMENT	1
8	CR0021132	BRACKET, COIN MECH	1
9	1815036	ASSY-COINMECH MOUNT	2

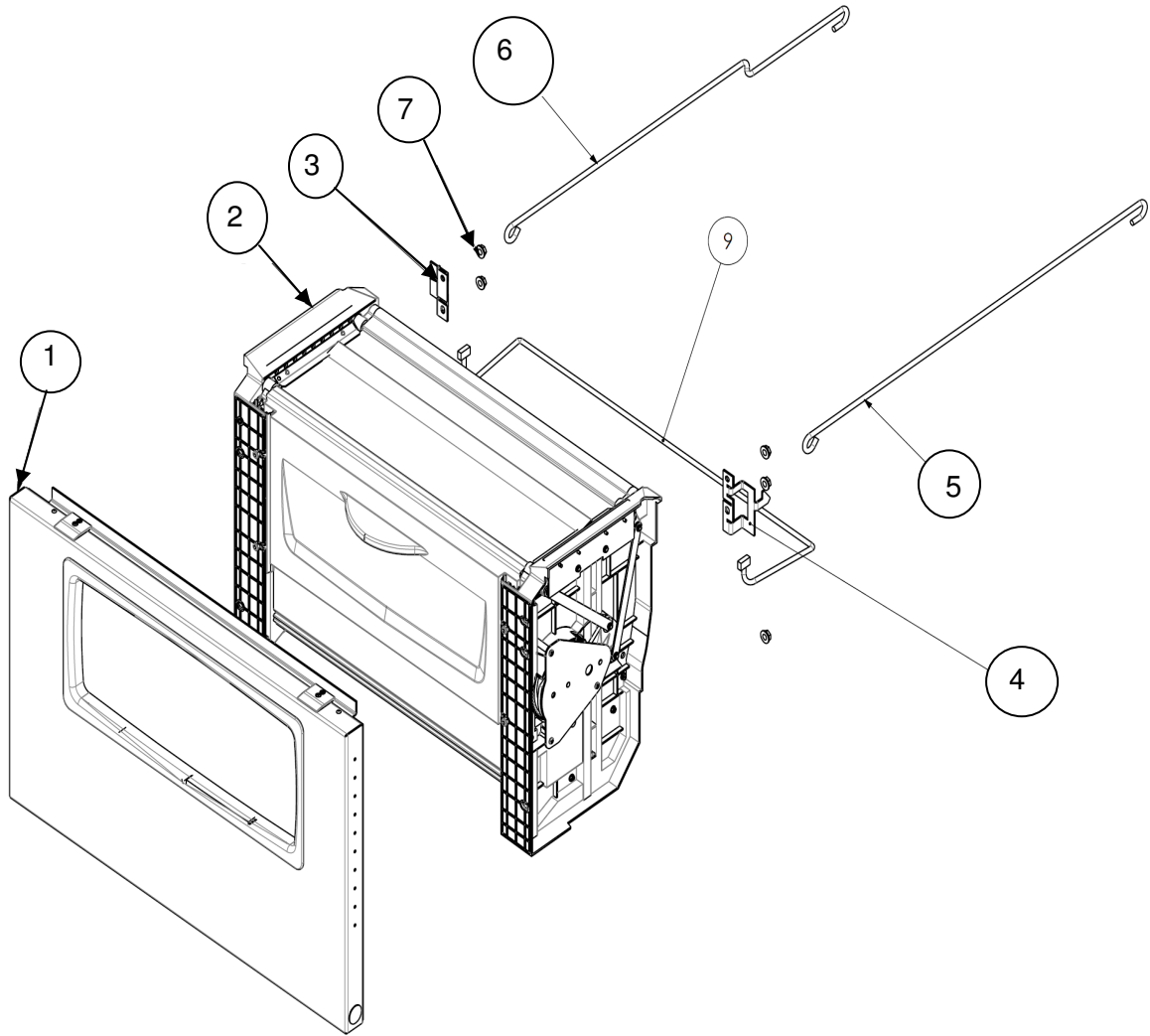
<b>TABLE 5: ASSEMBLY, COIN MECH BEFORE DECEMBER 2012</b>			
<b>ITEM</b>	<b>PART NUMBER</b>	<b>DESCRIPTION</b>	<b>QTY</b>
1	CR0018647	BRACKET, COIN MECH	1
2	CR0012826	BRACKET, COIN RETURN MOTOR	1
3	1577038	MOTOR & PC BOARD ASSEMBLY	1
4	1815028	CAM-COIN RETURN	1
5	4407712	COUPLING-MOTOR <i>(Not Shown)</i>	1
6	1457027	SCREW,#8-32 X .81 HEX HD. <i>(Not Shown)</i>	2
7	3157060	SCREW,#8-32X.31 HEX W/HD.-TF	5
8	3502078	RIVET, POP-.125 DIA X .265	2
9	80152201	ROLLER,R, DOUBLE, CATCH	1



**FIGURE 6: DEL BIN ASSEMBLY COMMON AMBIENT 4W(PCR0013478)**

**TABLE 6: DEL BIN ASSEMBLY COMMON 4W**

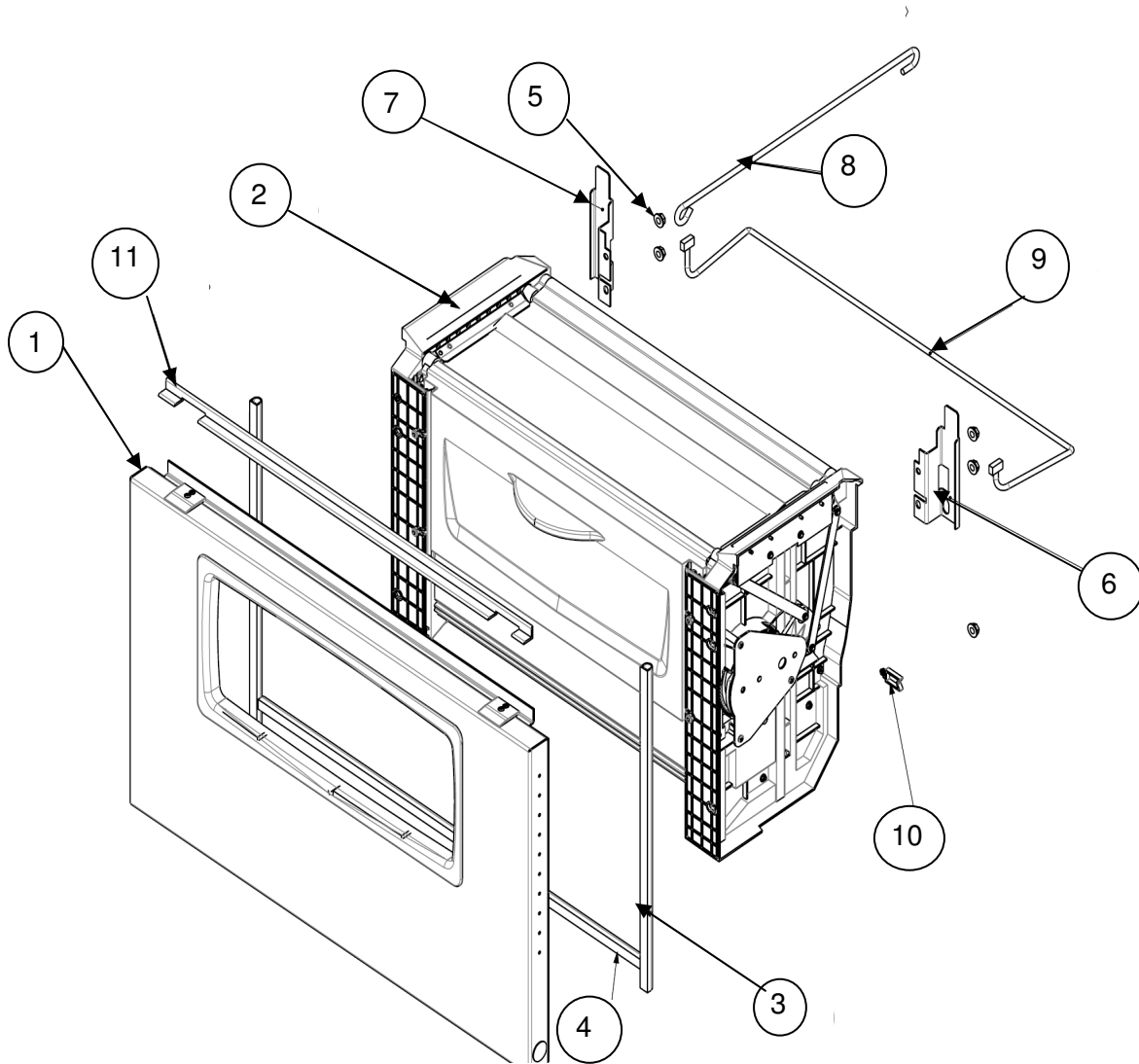
ITEM	PART NUMBER	DESCRIPTION	QTY
1	CR0015252	ASSY, BEZEL MERCHANT	1
2	CR0013425	A, DELIVERY BUCKET 4 WD	1
3	CR0012669	LINK, FLAP ARM TO INDEX MER	4
4	4741050	SCREW,#8-32X.50 HX.HD.-T/F-BLK	12
5	CR0014126	A, FLAP,PILFER 4WD FRNT	1
6	CR0014128	A, FLAP,PILFER 4WD REAR	1
7	CR0014091	SLIDE,8.6" LONG 5.25" TRAVEL	2
8	CR0013975	BIN, SIDEWALL LEFT	1
9	CR0012316	AXLE, INDEX GEAR MER MEDIA	2
10	CR0012667	AXLE,BIN & DOOR GEAR	2
11	CR0011544	CAM LINKS (L)	1
12	CR0013720	GEAR-BIN & DOOR LH	1
13	CR0012916	CAM, DEL BIN	2
14	CR0013510	PLATE, AXLE RETAINER	2
15	3128092	SCREW,HILO-7-19 X 3/8 HEX	12
16	1812011	COVER, EMITTER,SUREVEND	1
17	CR0014778	DIVIDER FR, DELIVERY BIN 4W	1
18	CR0014777	DIVIDER RR, DELIVERY BIN 4W	1
19	CR0013978	SIDEWALL BIN (R)	1
20	CR0013930	ARM PIL. FLAP - DRIVE	4
21	6922105	SCRW, PAN HD PLASTIT PH #7X1	4
22	1812012	COVER-RECEIVER-SUREVEND	1
23	CR0013443	CAM LINKS (R)	1
24	CR0013724	GEAR-BIN & DOOR RH	1
25	6237050	SCREW-#8-16X.44-SLTD-FLHD	8
26	4747171	SCREW,#6-19 X .38 PHIL.PHS-T/C	4
27	CR0018333	PCB ASSY SUREVEND EMITTER	1
28	6922104	SCRW, PAN HD PLASTIT PH #7X.5	6
29	CR0019892	PCB ASSY-SUREVEND DETECTOR	1
30	CR0019403	ASSY, BIN VANDAL DEFLECT	2
31	80080155	NUT,R, ELASTIC STOP #8-32	8



**FIGURE 7: BIN & PANEL ASM AMBIENT 4W(PCR0013448)**

**TABLE 7: BIN & PANEL ASM 4W**

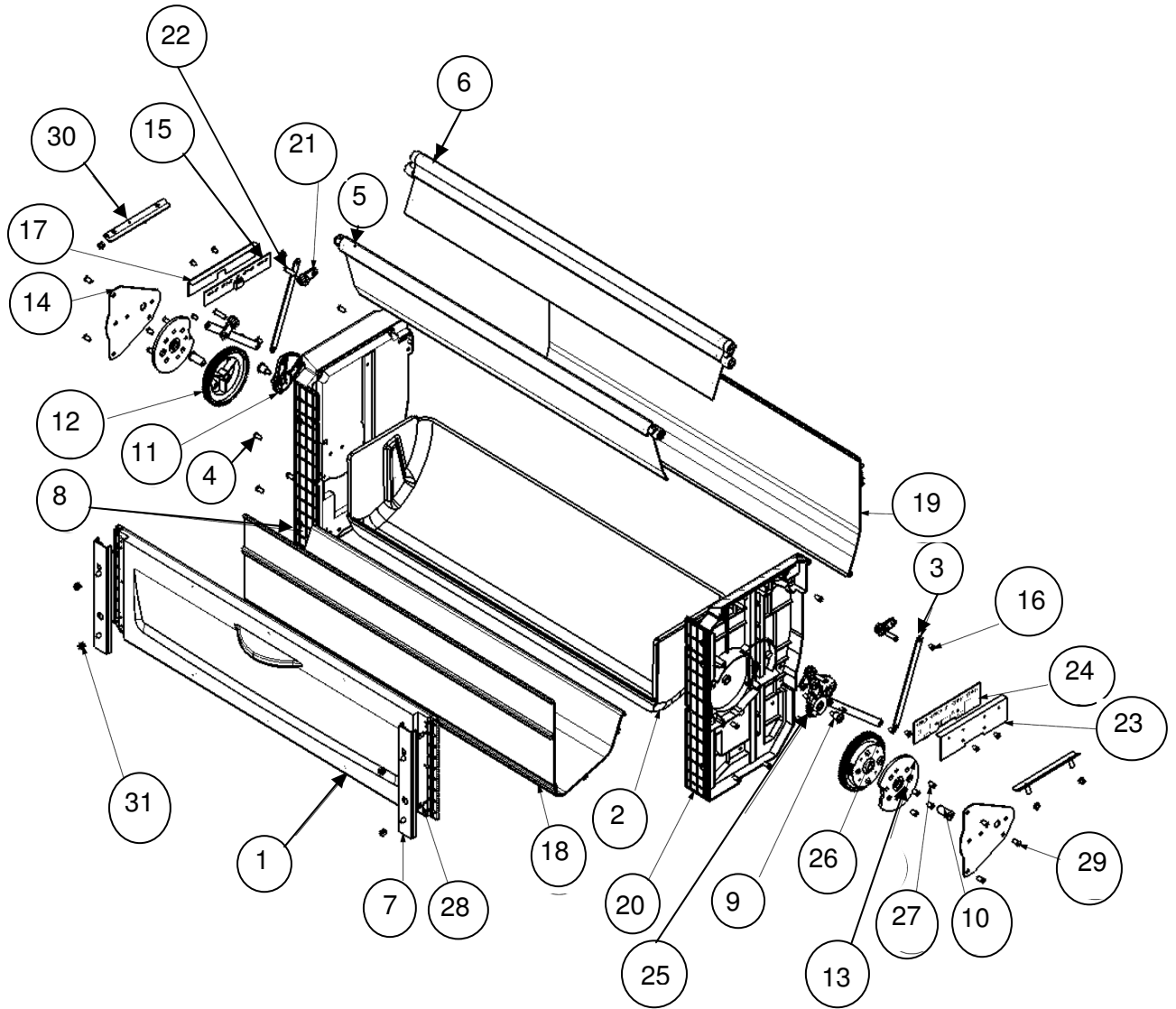
ITEM	PART NUMBER	DESCRIPTION	QTY
1	CR0014155	ASSY, PNL & LINER ADA 4W AMB	1
2	CR0013478	A, DELIVERY BIN 4W COMMON	1
3	CR0013511	GUIDE, DEL BIN ELEVATOR	1
4	CR0013521	GUIDE-DELIVERY BIN (R)	1
5	1811072	ROD, STOP, DELIVERY DOOR	1
6	1811082	ROD-STOP-DEL DOOR-L/H	1
7	1172021	NUT, 1/4-20 WHIZ-LOCK	6
8	CR0005960	AERO FOAM-ADHESIVE BACKED <i>(Not Shown)</i>	60"
9	CR0017897	HARNESS, EMITTER TO DETECTOR	1



**FIGURE 8: BIN & PANEL ASM COMBO 4W (PCR0014178)**

**TABLE 8: BIN & PANEL ASM COMBO 4W**

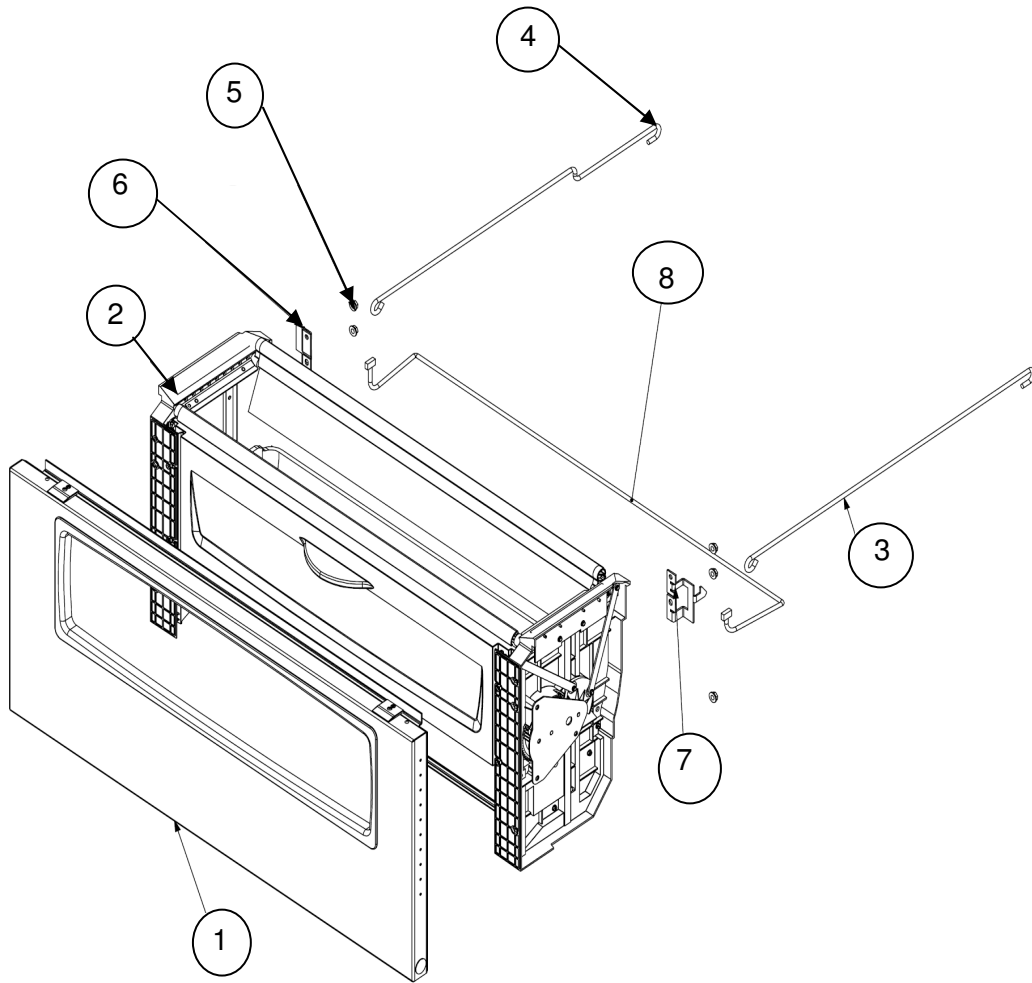
<b>ITEM</b>	<b>PART NUMBER</b>	<b>DESCRIPTION</b>	<b>QTY</b>
1	CR0021209	HEATED PANEL ASM, 4W CMB	1
2	CR0013478	DEL BIN ASSY COMMON 4W	1
3	CR0005256	GASKET, D,DEL BIN SIDE	2
4	CR0005257	GASKET, D,DEL BIN BOTTOM 4WD	1
5	1172021	NUT, 1/4-20 WHIZ-LOCK	6
6	CR0014242	LATCH BRACKET-BIN CMB R	1
7	CR0014248	LATCH BRACKET-BIN CMB L	1
8	CR0014142	ROD, STOP,DELIVERY BIN	1
9	CR0017897	HARNESS, EMITTER TO DETECTOR	1
10	CR0006162	WIRE SADDLE, WSBH-3-01	1
11	CR0020593	BIN DOOR SEAL, 4W ADA CMB	1
12	CR0020911	HARN, BIN HEATER ADA 4W 15WATT (NOT SHOWN)	1



**FIGURE 9: DEL BIN ASSEMBLY COMMON 6W(PCR0013428)**

**TABLE 9: DEL BIN ASSEMBLY COMMON 6W**

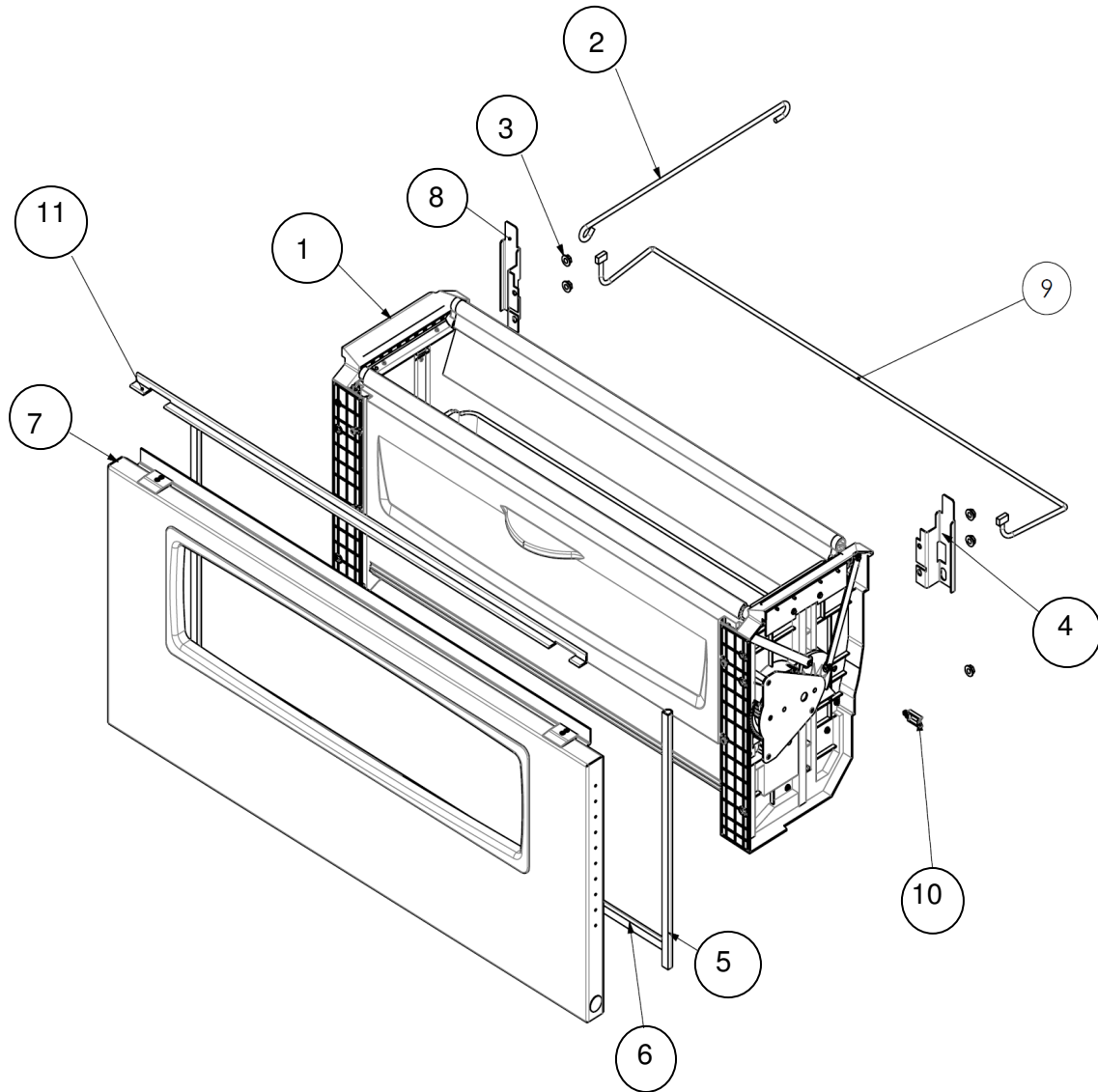
ITEM	PART NUMBER	DESCRIPTION	QTY
1	CR0012674	ASSY, DOOR BIN 6W	1
2	CR0012731	A, DELIVERY BUCKET 6 WD	1
3	CR0012669	LINK, FLAP ARM TO INDEX MER	4
4	4741050	SCREW,#8-32X.50 HX.HD.-T/F-BLK	12
5	CR0013937	A, FLAP,PILFER 6WD FRNT	1
6	CR0013959	A, FLAP,PILFER 6WD REAR	1
7	CR0014091	SLIDE,8.6in LONG 5.25in TRAVEL	2
8	CR0013975	SIDEWALL BIN (L)	1
9	CR0012316	AXLE, INDEX GEAR	2
10	CR0012667	AXLE,BIN & DOOR GEAR	2
11	CR0011544	CAM LINKS (L)	1
12	CR0013720	GEAR-BIN & DOOR LH	1
13	CR0012916	CAM, DEL BIN	2
14	CR0013510	PLATE, AXLE RETAINER	2
15	CR0018333	PCB ASSY SUREVEND EMITTER	1
16	3128092	SCREW,HILO-7-19 X 3/8 HEX WASH	12
17	1812011	COVER, EMITTER,SUREVEND	1
18	CR0014728	DIVIDER FR, DELIVERY BIN 6W	1
19	CR0014729	DIVIDER RR, DELIVERY BIN 6W	1
20	CR0013978	SIDEWALL BIN (R)	1
21	CR0013930	ARM PIL. FLAP - DRIVE	4
22	6922105	SCRW, PAN HD PLASTIT PH #7X1	4
23	1812012	COVER-RECEIVER-SUREVEND	1
24	CR0019892	PCB ASSY-SUREVEND DETECTOR	1
25	CR0013443	CAM LINKS (R)	1
26	CR0013724	GEAR-BIN & DOOR RH	1
27	6237050	SCREW-#8-16X.44-SLTD-FLHD	8
28	4747171	SCREW,#6-19 X .38 PHIL.PHS-T/C	4
29	6922104	SCRW, PAN HD PLASTIT PH #7X.5	6
30	CR0019403	ASSY, BIN VANDAL DEFLECT	2
31	80080155	NUT,R, ELASTIC STOP #8-32	2



**FIGURE 10: BIN & PANEL ASM AMBIENT 6W(PCR0012907)**

**TABLE 10: BIN & PANEL ASM AMBIENT 6W**

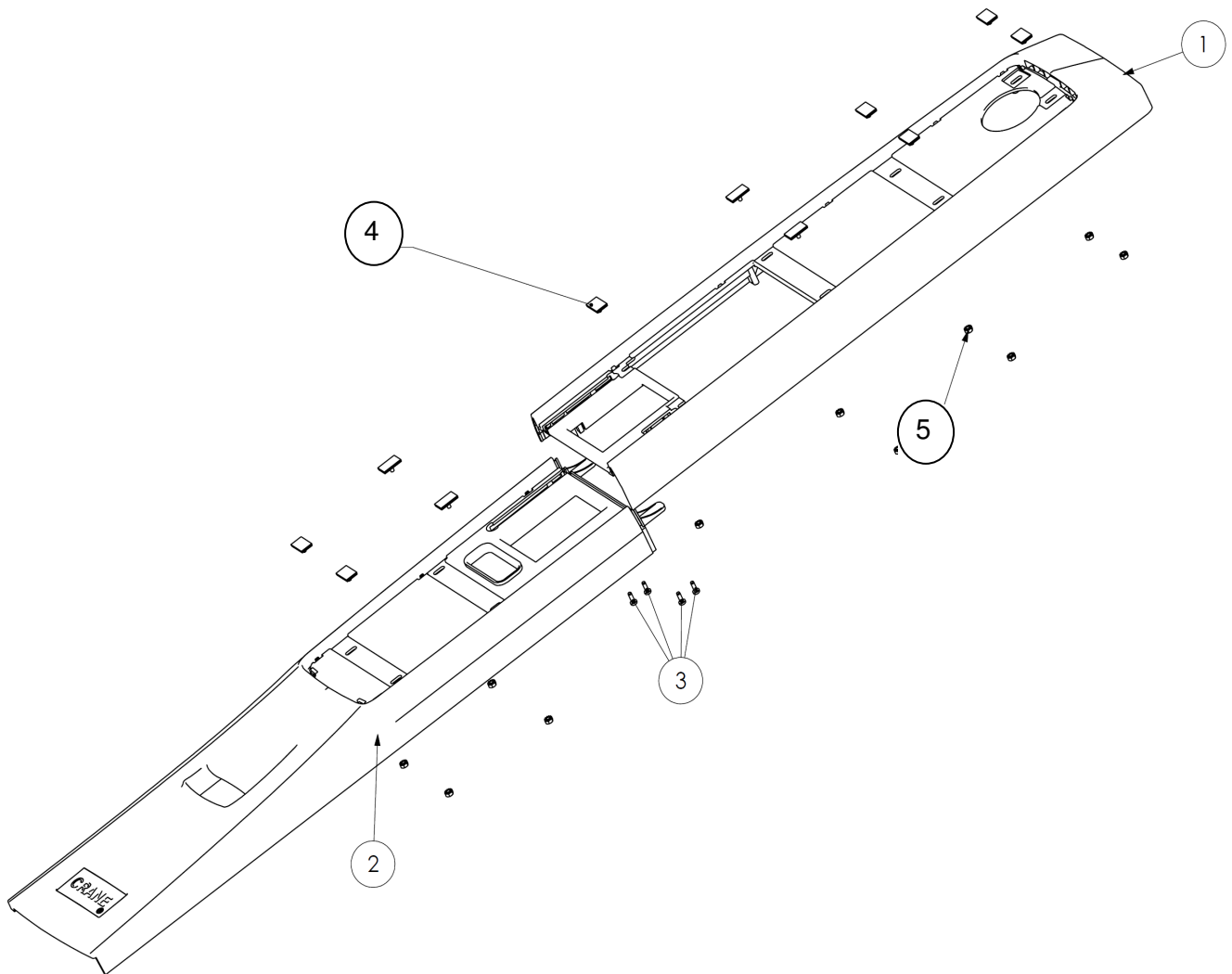
<b>ITEM</b>	<b>PART NUMBER</b>	<b>DESCRIPTION</b>	<b>QTY</b>
1	CR0013745	PANEL & LINER ASM AMB 6W	1
2	CR0013428	DEL BIN ASSY COMMON 6W	1
3	1811072	ROD, STOP, DELIVERY DOOR	1
4	1811082	ROD-STOP-DEL DOOR-L/H	1
5	1172021	NUT, 1/4-20 WHIZ-LOCK	6
6	CR0013511	GUIDE, DEL BIN ELEVATOR	1
7	CR0013521	GUIDE-DELIVERY BIN (R)	1
8	CR0017897	HARNESS, EMITTER TO DETECTOR	1
9	CR0005960	FOAM, AERO ADHESIVE BACKED	72



**FIGURE 11: BIN & PANEL ASM COMBO 6W(PCR0012686)**

**TABLE 11: BIN & PANEL ASM COMBO 6W**

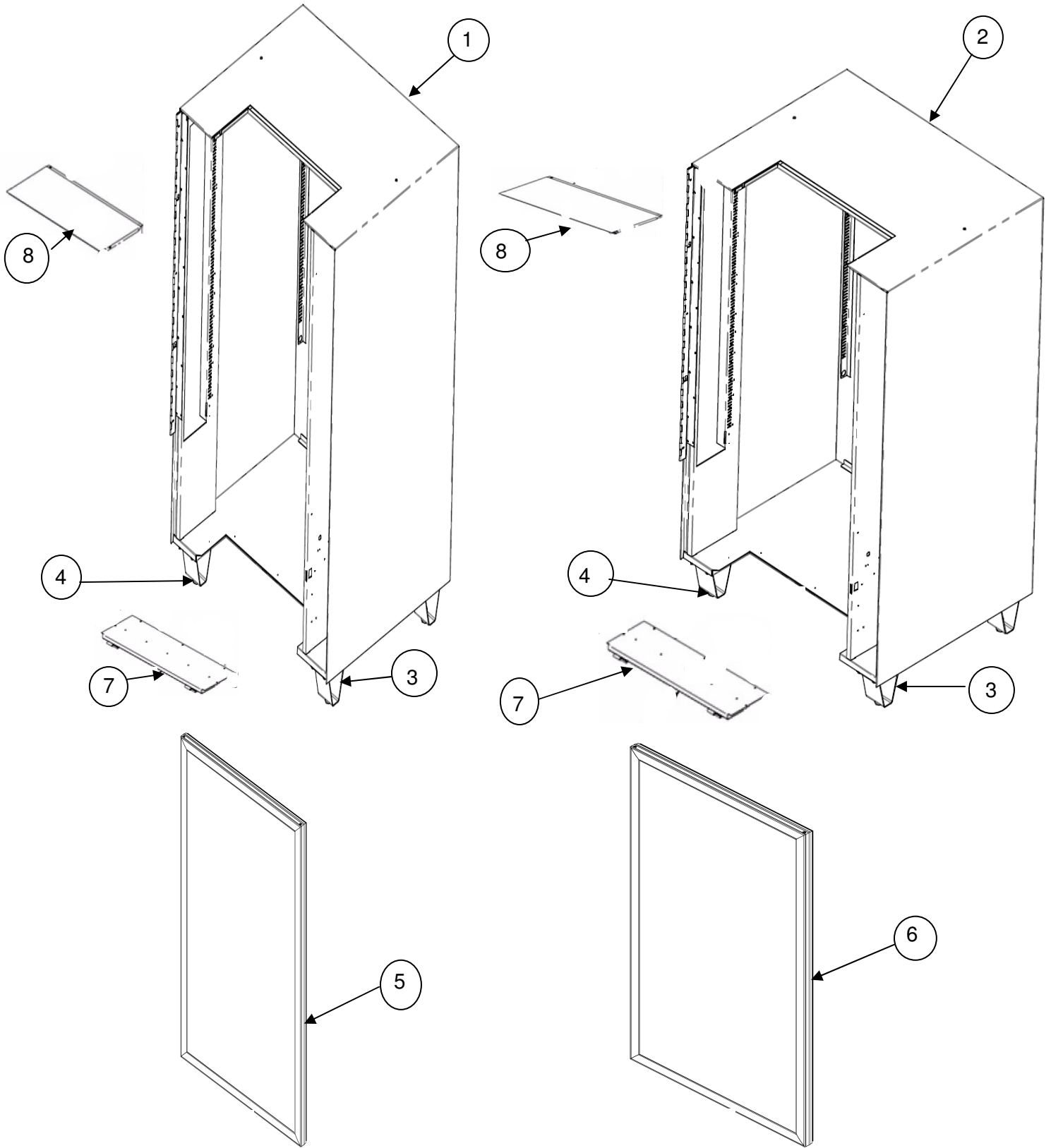
<b>ITEM</b>	<b>PART NUMBER</b>	<b>DESCRIPTION</b>	<b>QTY</b>
1	CR0013428	DEL BIN ASSY COMMON 6W	1
2	CR0014142	ROD, STOP, DELIVERY BIN	1
3	1172021	NUT, 1/4-20 WHIZ-LOCK	6
4	CR0014242	LATCH BRACKET-BIN CMB R	1
5	CR0005256	GASKET, D, DEL BIN SIDE	2
6	CR0005258	GASKET-D-DEL. BIN BOTTOM-6 W	1
7	CR0021208	HEATED PANEL ASM, 6W CMB	1
8	CR0014248	LATCH BRACKET-BIN CMB L	1
9	CR0017897	HARNESS, EMITTER TO DETECTOR	1
10	CR0006162	WIRE SADDLE, WSBH-3-01	1
11	CR0020590	BIN DOOR SEAL, 6W ADA CMB	1
12	CR0021044	HARNESS, BIN HTR ADA 6W 15W (NOT SHOWN)	1



**FIGURE 12: ASSY, MERCHANT BEZEL**

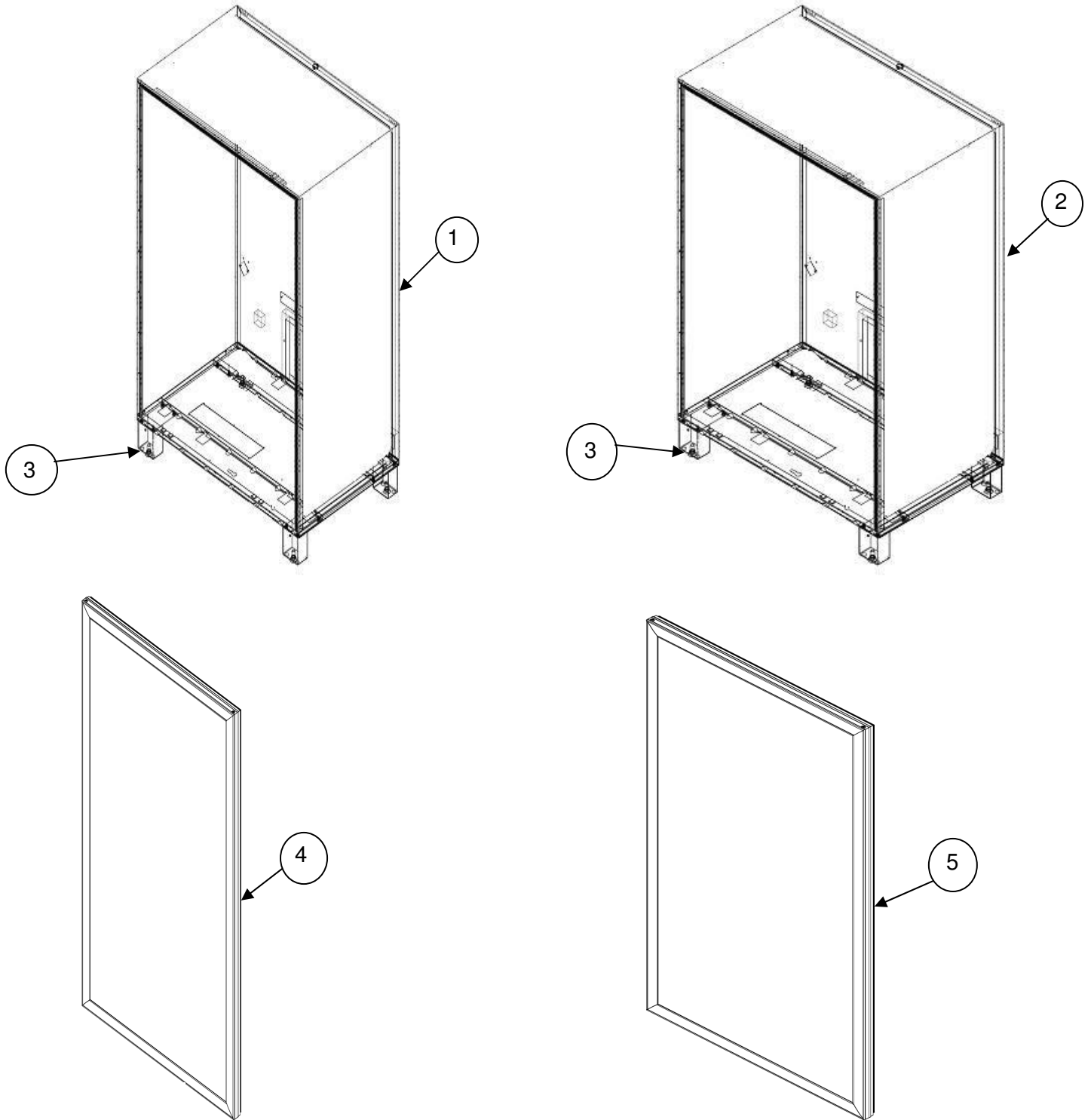
**TABLE 12: ASSY, MERCHANT BEZEL**

<b>ITEM</b>	<b>PART NUMBER</b>	<b>DESCRIPTION</b>	<b>QTY</b>
1	CR0013145	PANEL, UPPER	1
2	CR0012270	PANEL, LOWER	1
3	4277042	SCREW, #8-10 x.5 T/F-PHS	4
4	CR0021117	ASSY, ADHESIVE PILL MNT	11
5	9900081	NUT, #8-32 KEPS ZINC PLATE	11



**FIGURE 13: AMBIENT CABINET AND GLASS DOOR ASSEMBLY**










<b>TABLE 13: AMBIENT CABINET AND GLASS DOOR ASSEMBLY</b>				
<b>ITEM</b>	<b>PART NUMBER</b>		<b>DESCRIPTION</b>	<b>QTY</b>
	<b>MODEL 186</b>	<b>MODEL 187</b>		
1	CR0019912	-----	ASSY, 4W AM "T" BLACK CAB	1
2	-----	CR0019353	ASSY, 6W AM T-BLACK CABINET	1
3	P1811001	P1811001	LEG ASSY-COMplete	4
4	1811002	1811002	LEVERLER-LEG	4
5	CR0009112	-----	DOOR, 4W CRIMP STYLE	1
6	-----	CR0008186	DOOR, 6W CRIMP STYLE	1
7	1801091	1811091	BOTTOM FILLER ASSY	1
8	1801027	1811078	FILLER-TOP-GALVANIZED	1



**FIGURE 14: COMBO CABINET AND GLASS DOOR ASSEMBLY**

**TABLE 14: COMBO CABINET AND GLASS DOOR ASSEMBLY**










ITEM	PART NUMBER		DESCRIPTION	QTY
	MODEL 471	MODEL 472		
1	CR0018915	-----	ASSY,SHELL FOAM 4W "T"BLACK	1
2	-----	CR0018830	ASSY, SHELL FOAM 6W "T"BLK	1
3	1811002	1811002	LEVERLER-LEG	4
4	CR0013833	-----	ASSY, 4W GLASS DOOR CMB	1
5	-----	CR0013834	ASSY, 6W GLASS DOOR CMB	1

							
I	J	K	L	M	N	O	P
PILL, MERCH,3.5IN, INT	PILL,MER CH,3.5IN, INT CRD	PILL, MERCH,3.5 IN,INT BILL	PILL, MERCH, 3.5IN UPR KO	PILL, MERCH, 3.5 IN,2KO	PILL, MERCH, 3.5IN,INT CRD, 2KO	PILL, MERCH,3.5IN ,INT, LWR KO	PILL, MERCH,3.5IN, INT BILL, LWR KO
							
R							
PILL,MERCH, 3.5IN							

**FIGURE 15: MONETARY PILL 3.5(KEYPAD)**

**TABLE 15: MONETARY PILL 3.5”(KEYPAD)**

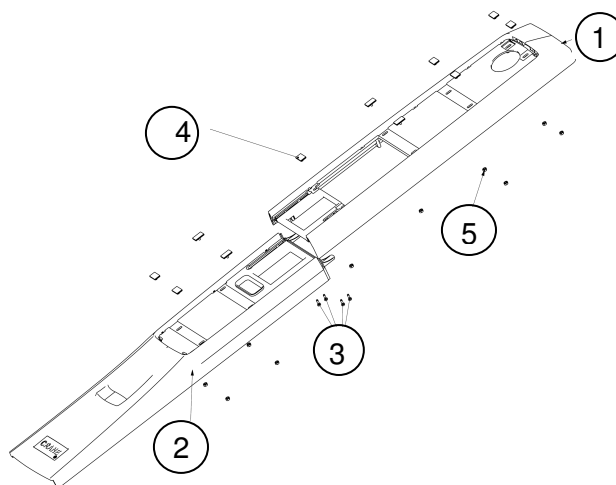
ITEM	PART NUMBER		DESCRIPTION	QTY
	BLUE(US)	BLACK(UK)		
I	1875000	1875001	Pill, Merchant, 3.5", Integrated Coin, Bill, Credit Card	1
J	1875002	1875003	Pill, Merchant, 3.5", Integrated Coin & Credit Card + Upper Knockout	1
K	1875004	1875005	Pill, Merchant, 3.5", Integrated Coin, Bill, no Credit Card	1
L	1875006	1875007	Pill, Merchant, 3.5", Integrated Coin, Upper Knockout,	1
M	1875008	1875009	Pill, Merchant, 3.5", Integrated Coin, Upper & Lower Knockout	1
N	1875010	1875011	Pill, Merchant, 3.5", Integrated Coin & Credit Card + Upper & Lower Knockout	1
O	1875012	1875013	Pill, Merchant, 3.5", Integrated Coin, Bill, Credit Card + Lower Knockout	1
P	1875014	1875001	Pill, Merchant, 3.5", Integrated Coin, Bill, + Lower Knockout	1
R	1875034	1875035	PILL,MERCH,3.5IN	1

							
A	B	C	D	E	F	G	H
PILL, MERCH,7IN, INT	PILL, MERCH,7IN ,INT CRD	PILL, MERCH,7IN, INT BILL	PILL, MERCH,7IN	PILL, MERCH,7 IN,2KO	PILL, MERCH,7IN, INTCRD,2KO	PILL, MERCH,7IN, INT LWR	PILL, MERCH,7IN, INT BILL, LWR KO
							
Q							
PILL,MERCH 7IN							

**FIGURE 16: MONETARY PILL 7”(TOUCHSCREEN)**

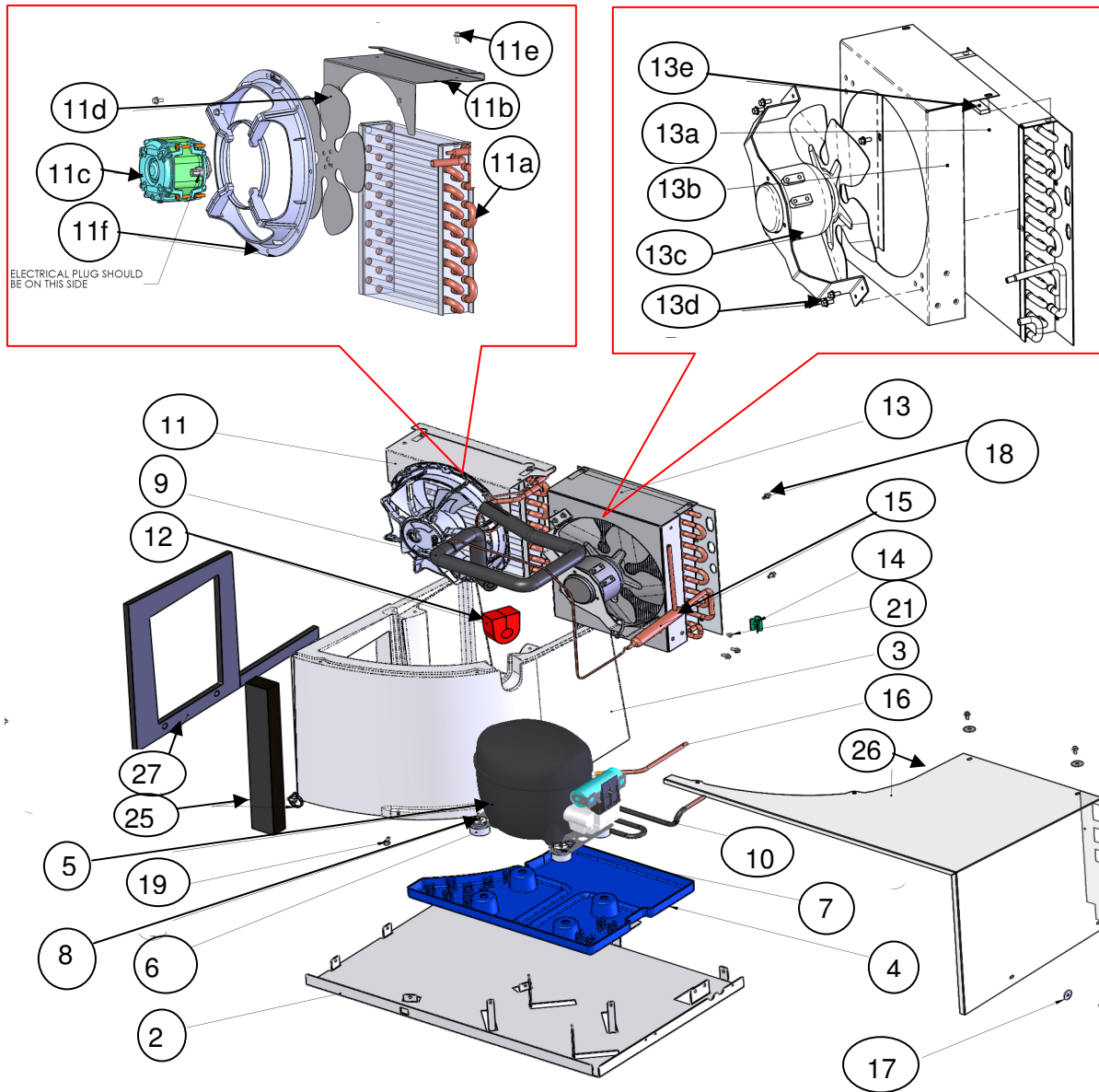
**TABLE 16: MONETARY PILL 7”(TOUCHSCREEN)**

ITEM	PART NUMBER		DESCRIPTION	QTY
	BLUE(US)	BLACK(UK)		
A	1875016	1875017	Pill, Merchant, 7” , Integrated Coin, Bill, Credit Card	1
B	1875018	1875019	Pill, Merchant, 7”, Integrated Coin & Credit Card + Upper Knockout	1
C	1875020	1875021	Pill, Merchant, 7”, Integrated Coin, Bill, no Credit Card	1
D	1875022	1875023	Pill, Merchant, 7”, Integrated Coin, Upper Knockout,	1
E	1875024	1875025	Pill, Merchant, 7”, Integrated Coin, Upper & Lower Knockout	1
F	1875026	1875027	Pill, Merchant, 7”, Integrated Coin & Credit Card + Upper & Lower Knockout	1
G	1875028	1875029	Pill, Merchant, 7”, Integrated Coin, Bill, Credit Card + Lower Knockout	1
H	1875030	1875031	Pill, Merchant, 7”, Integrated Coin, Bill, + Lower Knockout	1
Q	1875032	1875033	PILL, MERCH, 7IN	1



**ASSY, MERCHANT BEZEL**

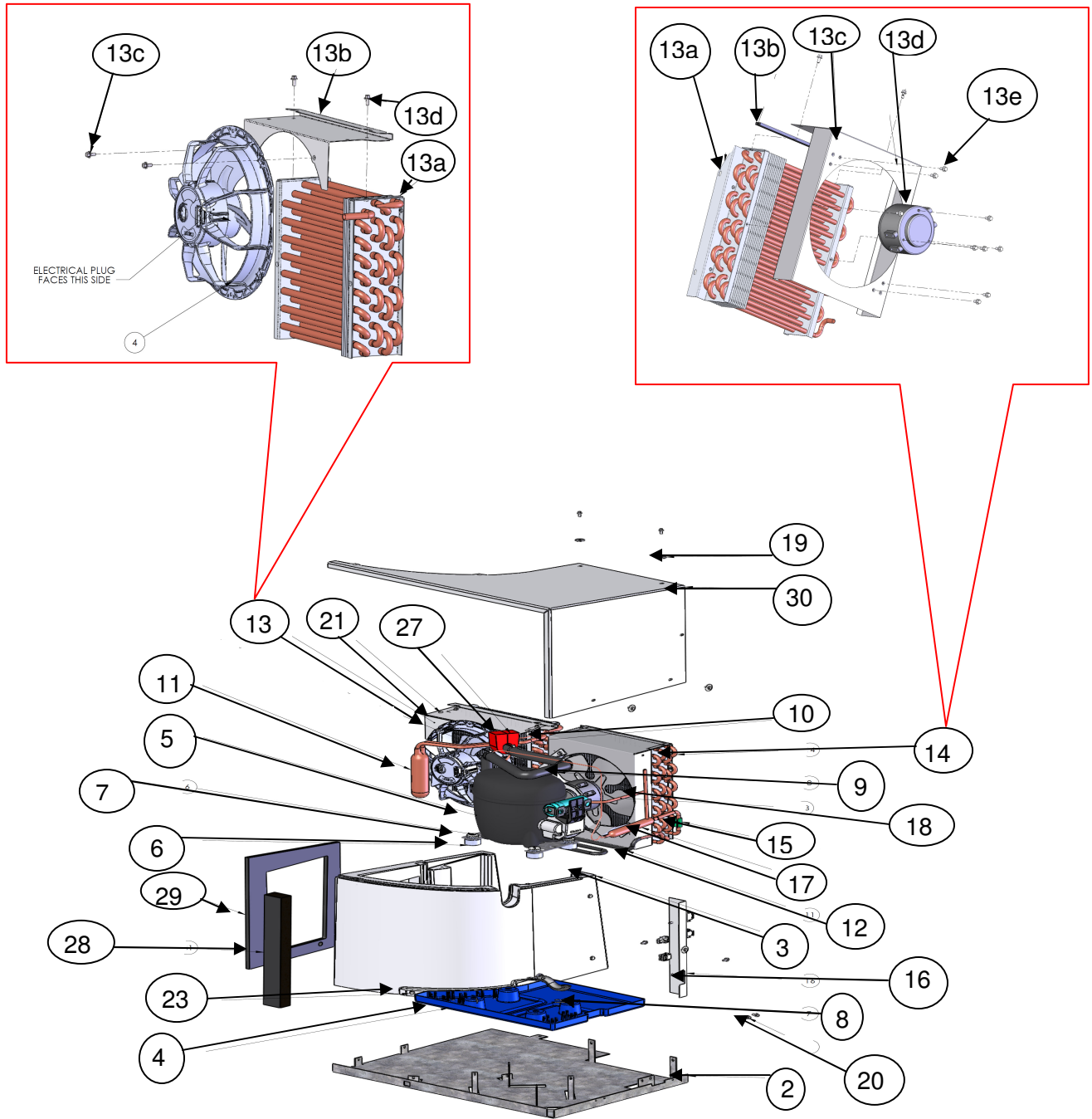
ITEM	PART NUMBER	DESCRIPTION	QTY
1	CR0013145	PANEL, UPPER	1
2	CR0012270	PANEL, LOWER	1
3	4277042	SCREW, #8-10 x.5 T/F-PHS	4
4	CR0021117	ASSY, ADHESIVE PILL MNT	11
5	9900081	NUT, #8-32 KEPS ZINC PLATE	11



**FIGURE 17: REFRIGERATION UNIT ASSEMBLY – DOMESTIC 4W (471)**

**TABLE 17: REFRIGERATION UNIT ASSEMBLY–DOMESTIC (471)**

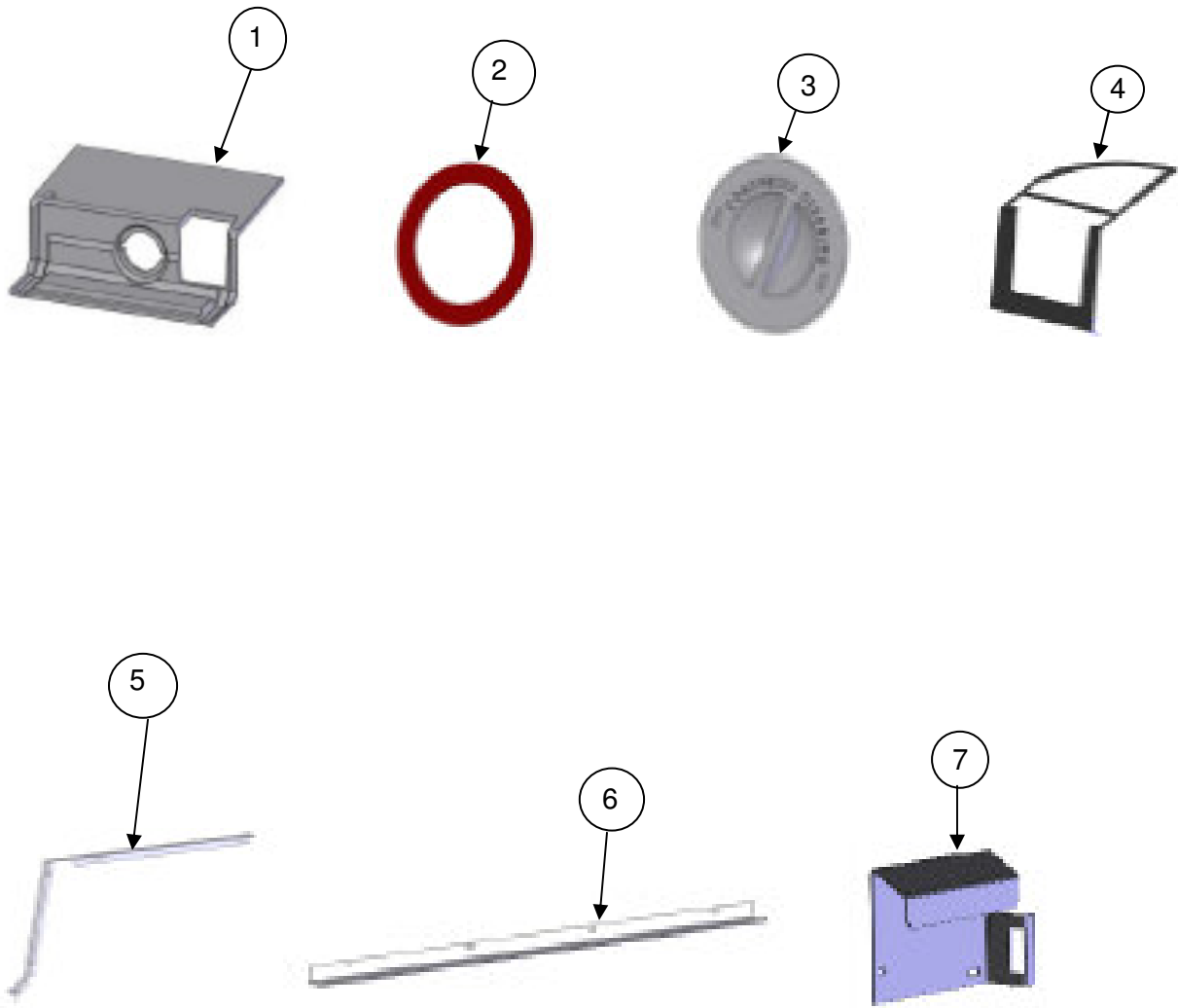
ITEM	PART NUMBER	DESCRIPTION	QTY
1	CR0004431	A,REFR DECK,115V60HZR134A,RM	1
2	CR0005277	TRAY, REFR UNIT	1
3	CR0005267	ASSY, EVAP BOX, MOLDED	1
4	CR0002072	PAN,R, CONDENSATE W/WICKS	1
5	CR0005297	COMP,A,FFU100HAK HST 115V R134	1
6	90200057	GROMMET,R, COMPRESSOR (Part of item 5)	4
7	90180391	PLUG,R, COMPRESSOR GROMMET (Part of item 5)	4
8	90090188	CLIP,R, RETAINER COMPRESSOR (Part of item 5)	4
9	CR0005304	A, HEAT EXCHANGE FORMED DOM	1
10	65704081	A, TUBE, CONDENSATE LOOP	1
11	CR0010938	ASSY, EVAP COIL AND FAN	1
11a	CR0004375	EVAPORATOR, 3R X 8 X 9	1
11b	CR0005301	SHROUD,FAN	1
11c	CR0005289	FAN, A,WLNGTN,16W 120V,60Hz	1
11d	CR0005296	BLADE, FAN 8"	1
11e	80030438	SCRW,R,8-32x3/8 TYPE1 HXWSHR	4
11f	CR0005295	FAN BASKET, WELLINGTON	1
12	CR0005265	GROMMET, EVAP BOX SEAL	1
13	CR0004465	A,CONDNSR 2x8x9 EM&S 120V9W	1
13a	CR0004376	CONDENSER, 3R X 8 X 11	1
13b	CR0004466	SHROUD, COND FAN 8" FACE	1
13c	CR0002309	A,CONDNSR FAN MOTOR,STRAP	1
13d	80030438	SCRW,R,8-32x3/8 TYPE1 HXWSHR	6
13e	80360124	TAPE,R,FM CLOSED CELL .187X.50	8
14	CR0005716	CLIP, SPRING 5/16-1/4 COUPLE	1
15	80240129	DRYER,R,.054 EXTND OUTLT R134a	1
16	63505019	A, TUBE PROCESS 6.75IN	1
17	6138181	WASHER, PLATE SS	4
18	80030438	SCRW,R,8-32x3/8 TYPE1 HXWSHR	9
19	80030541	SCREW,R, #10 X .750 TEK ZINC	4
20	9987852	PROBE, TEMP SENSOR (NOT SHOWN)	4
21	80030434	SCRW,R,8-32x¼ PHL PAN SWGFRM	1
22	4499001	HARNESS, TEMP SENSORS (NOT SHOWN)	1
23	4499019	HARNESS, EVAP FAN (NOT SHOWN)	1
24	4499020	HARNESS, COMPRESSOR (NOT SHOWN)	1
25	CR0006166	GASKET, 1.75 X 1.181 SOFT	1
26	CR0005563	DUCT, CONDENSER EXIT 3R	1
27	CR0005370	GASKET SET, REFR UNIT	1



**FIGURE 18: REFRIGERATION UNIT ASSEMBLY – DOMESTIC 6W (472)**

**TABLE 18: REFRIGERATION UNIT ASSEMBLY–DOMESTIC (472)**

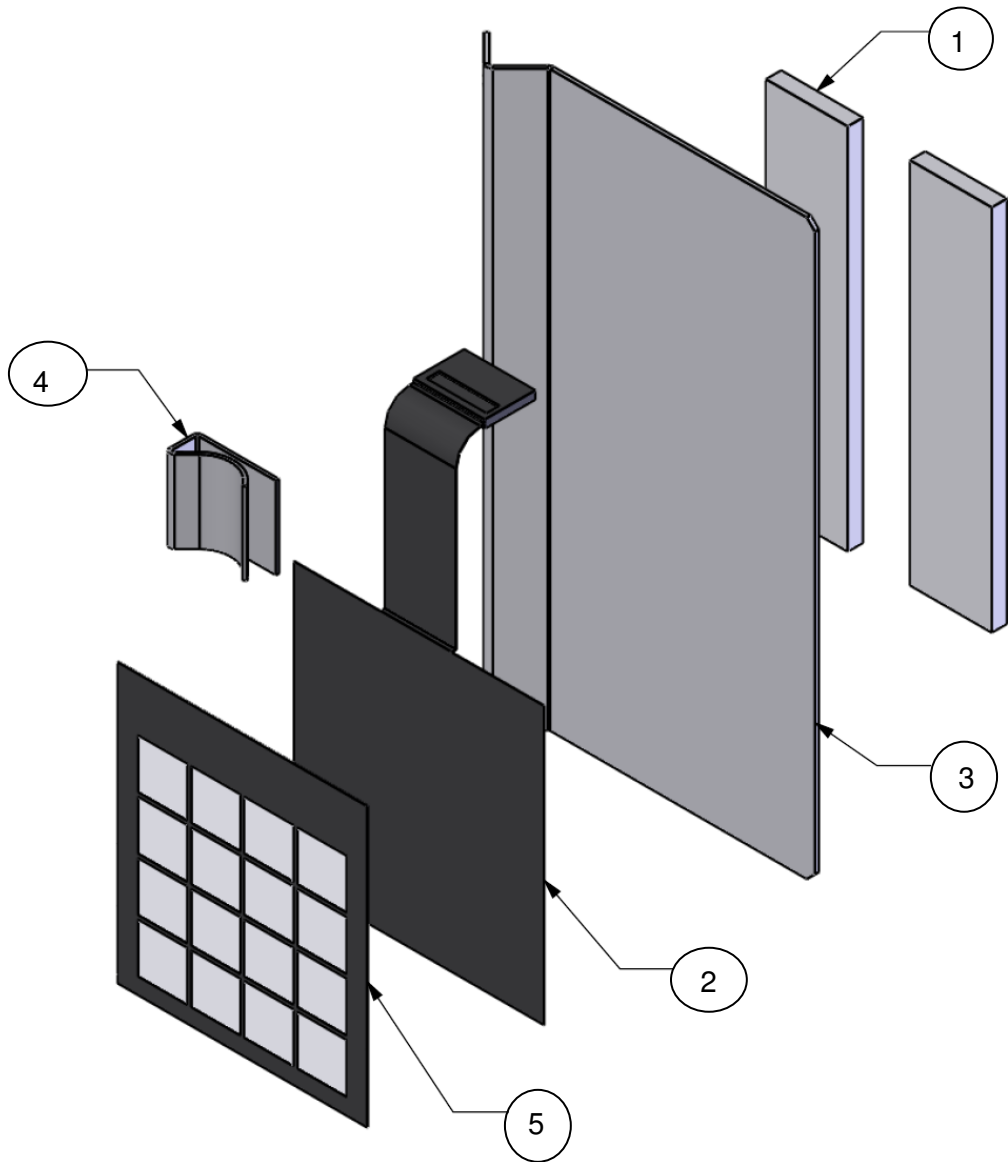
ITEM	PART NUMBER	DESCRIPTION	QTY
1	CR0008293	A,REFR DECK,115V60HZR134,RMM	1
2	CR0008295	TRAY, REFR UNIT	1
3	CR0005267	ASSY, EVAP BOX, MOLDED	1
4	CR0002072	PAN,R, CONDENSATE W/WICKS	1
5	80250289	A,COMP,FFU130HAX,513200620	1
6	90200057	GROMMET,R, COMPRESSOR (Part of item 5)	4
7	90180391	PLUG,R, COMPRESSOR GROMMET (Part of item 5)	4
8	90090188	CLIP,R, RETAINER COMPRESSOR (Part of item 5)	4
9	CR0008396	A, HEAT EXCHANGE FORMED	1
10	CR0008115	TUBE, SUCTION EVAP-ACC	1
11	80240046	ACCUMULATOR,R,1.375OD x 6.00	1
12	65704081	A, TUBE, CONDENSATE LOOP	1
13	CR0010935	ASSY, EVAP COIL AND FAN EBRMM	1
13a	CR0004391	EVAPORATOR COIL	1
13b	CR0005301	SHROUD,FAN	11
13c	80030438	SCRW,R,8-32x3/8 TYPE1 HXWSHR	4
13d	80450154	A,R,FAN EVAP EBM PAPST 1850RPM	1
14	CR0005719	ASSY,CONDENSER,4R,115V60Hz	1
14a	CR0010358	CONDENSER. COIL 11 x 8 x 2.5,P	1
14b	80360124	TAPE,R,FM CLOSED CELL .187X.50	10
14c	CR0005726	SHROUD, COND FAN 8" FACE	1
14d	CR0002309	A,CONDENSER FAN MOTOR,STRAP	1
14e	80030438	SCRW,R,8-32x3/8 TYPE1 HXWSHR	11
15	CR0005716	CLIP, SPRING 5/16-1/4 COUPLE	1
16	CR0008296	BRACKET, COND EXT 4 ROW	1
17	80240129	DRYER,R,.054 EXTND OUTLT R134a	1
18	63505019	A, TUBE PROCESS 6.75IN	1
19	6138181	WASHER, PLATE SS	7
20	80030438	SCRW,R,8-32x3/8 TYPE1 HXWSHR	8
21	80030454	SCREW,R, HEX HD,10-16,.50 LG	4
22	80030541	SCREW,R, #10 X .750 TEK ZINC	8
23	9987852	PROBE, TEMP SENSOR (NOT SHOWN)	3
24	4499001	HARNESS-TEMP SENSOR (NOT SHOWN)	1
25	4499019	HARNESS-EVAP FAN (NOT SHOWN)	1
26	4499020	HARNESS, COMPRESSOR (NOT SHOWN)	1
27	CR0005265	GROMMET, EVAP BOX SEAL	1
28	CR0006166	GASKET, 1.75 X 1.181 SOFT	1
29	CR0005370	GASKET SET, REFR UNIT	1
30	CR0008335	DUCT, CONDENSER EXIT 4R	1



**FIGURE 19: COMBO ADA BIN BARRIER**

**TABLE 19: COMBO ADA BIN BARRIER**

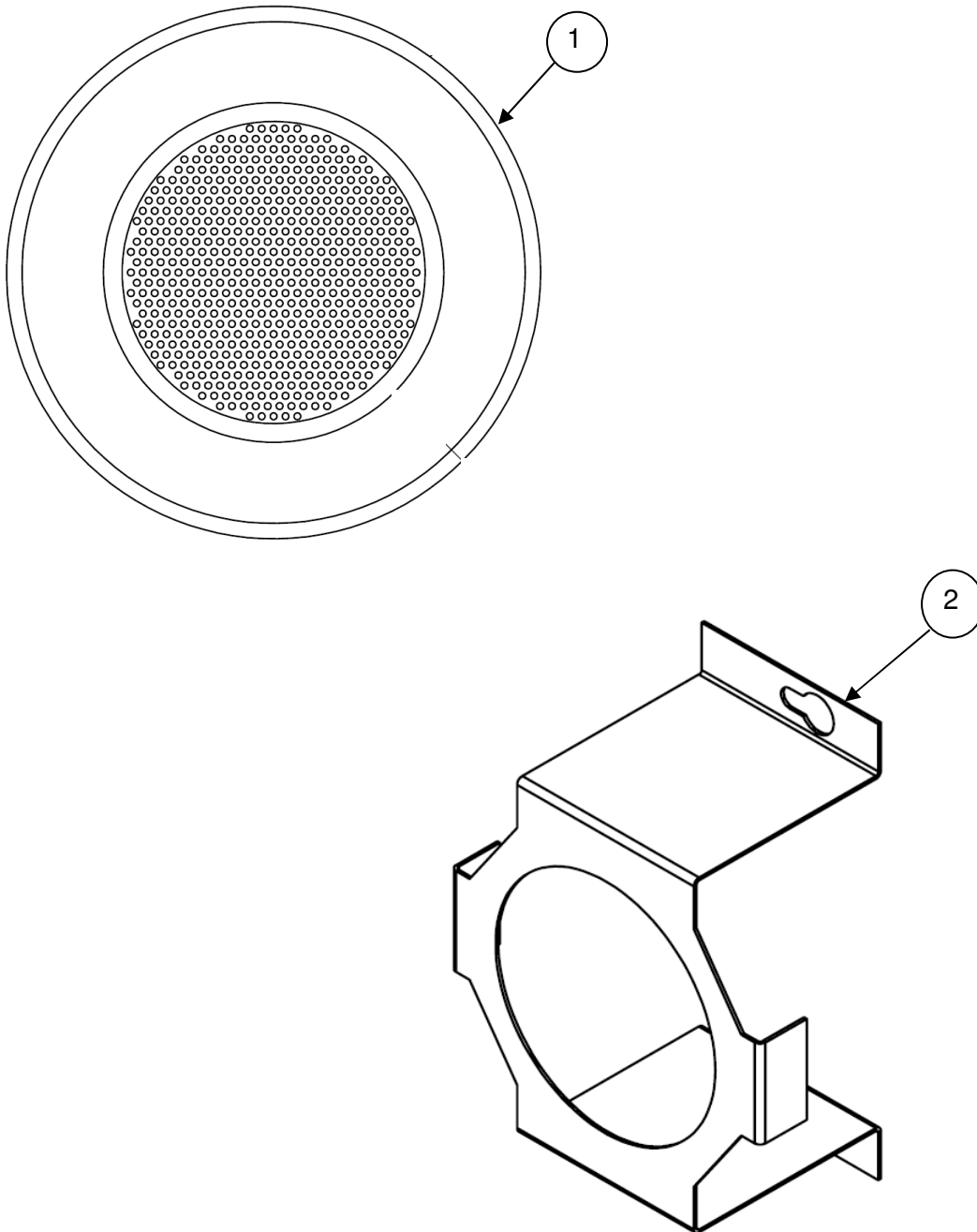
ITEM	PART NUMBER		DESCRIPTION	QTY
	471 (4W)	472(6W)		
			4W Barrier Kit CR0020281 / 6W Barrier Kit CR0020278	
1	CR0019052	CR0019051	ASSY, HORIZ BARRIER	1
2	CR0005406	CR0005406	SEAL,RUBBER ACCESS PANEL	1
3	CR0014216	CR0014216	CAP, COND CLEANING	1
4	CR0014003	CR0014003	GASKET, EVAP BOX	1
5	CR0014210	CR0014210	SUPPORT, LH BARRIER	1
6	CR0014061	CR0013898	BRACKET, BARRIER	1
7	CR0014298	CR0014298	PLATE, DEFLECTOR LEFT	1
8	CR0006162	CR0006162	WIRE SADDLE, WSBH-3-01 (NOT SHOWN)	2
9	CR0014062	CR0013934	GASKET, REAR CAB	1
10	CR0013922	CR0013922	GASKET, INSUL BARR CHANNEL(NOT SHOWN)	2
11	19609043	19609043	RIVET,R, BULBEX 3/16 (NOT SHOWN)	9
12	CR0007533	CR0007533	SCREW, 10-24X3/8F HEX SL BLK(NOT SHOWN)	2



**FIGURE 20: ASSY, MEDIA INTERNAL KEYPAD**

**TABLE 20: ASSY, MEDIA INTERNAL KEYPAD**

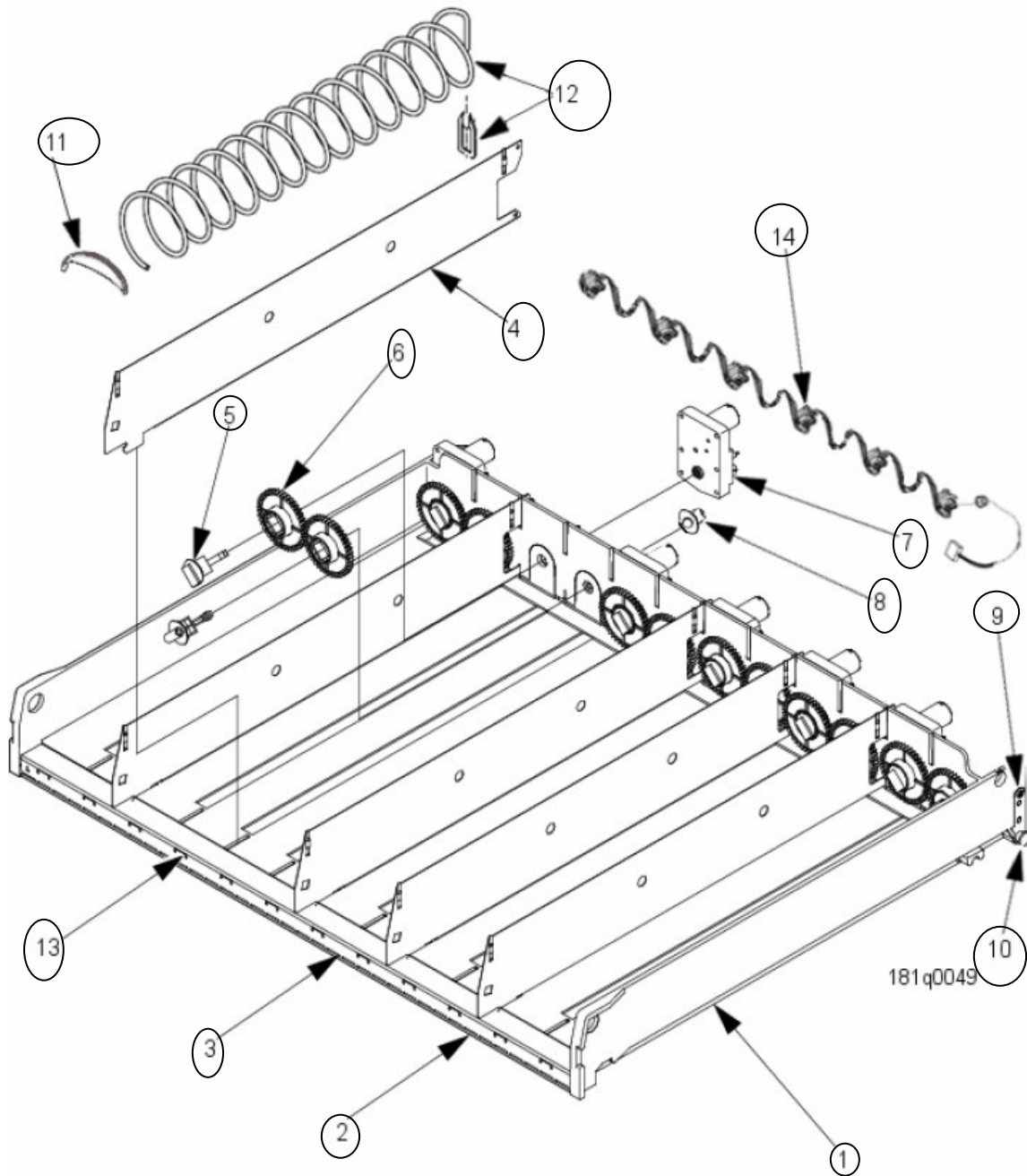
<b>ITEM</b>	<b>PART NUMBER</b>	<b>DESCRIPTION</b>	<b>QTY</b>
1	3122056	MAGNET,RETAINR	2
2	7215025	MEMBRANE SWITCH ASSY-PROGRAM	1
3	CR0020666	BKT, MEDIA INTERNAL KEYPAD	1
4	4302166	CABLE CLIP	1
5	CR0020726	LABEL, MEDIA SERVICE KEYPAD	1
6	CR0020536	HARNESS, SERVICE KEYPAD (NOT SHOWN)	1



**FIGURE 21: MEDIA TALKER SPEAKER AND BRACKET ASSY**

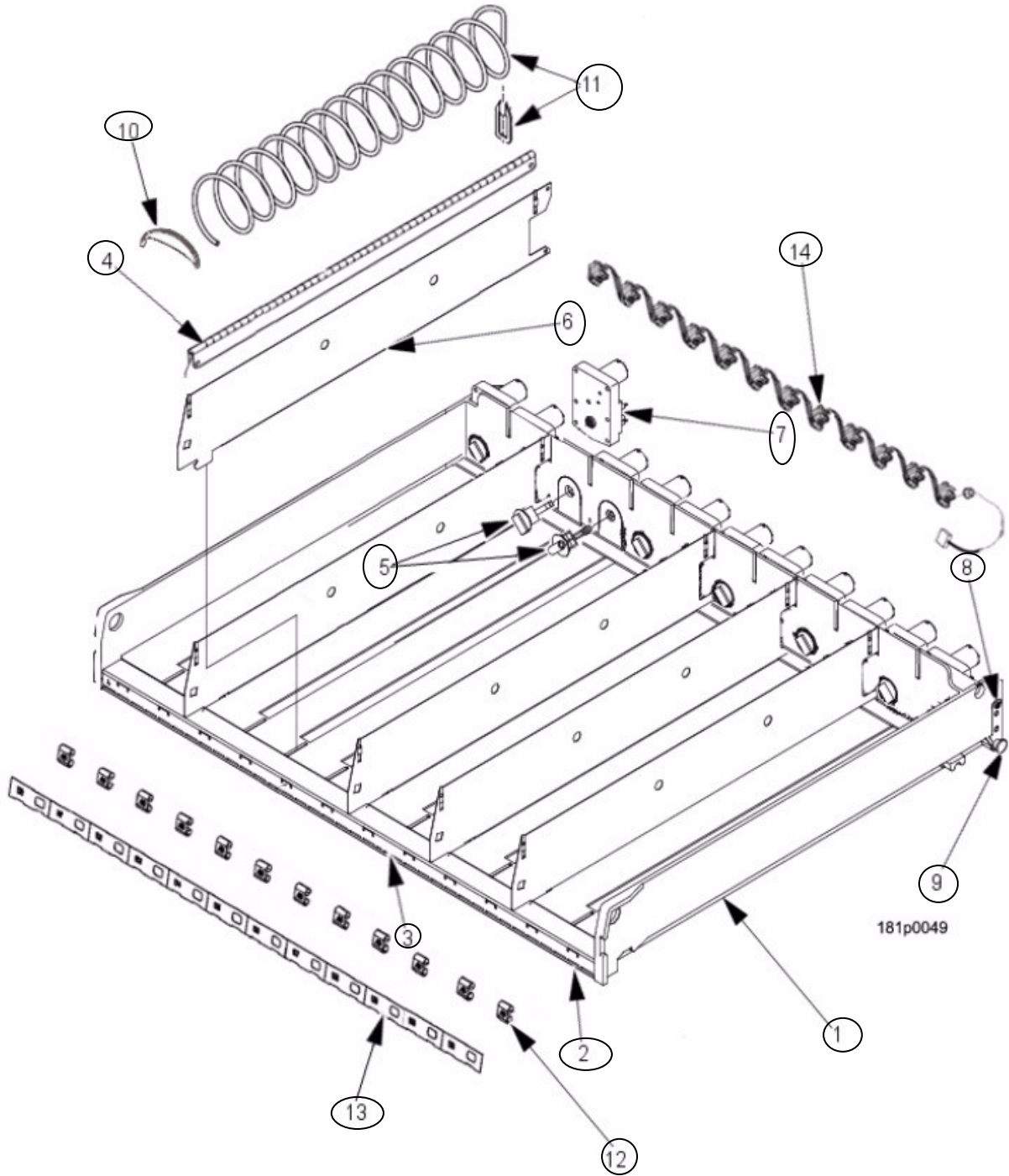
**TABLE 21: MEDIA TALKER SPEAKER AND BRACKET ASSY**

<b>ITEM</b>	<b>PART NUMBER</b>	<b>DESCRIPTION</b>	<b>QTY</b>
1	CR0021041	SPEAKER, USB 3.5"	1
2	CR0021043	SPEAKER BRACKER 3.5"	1



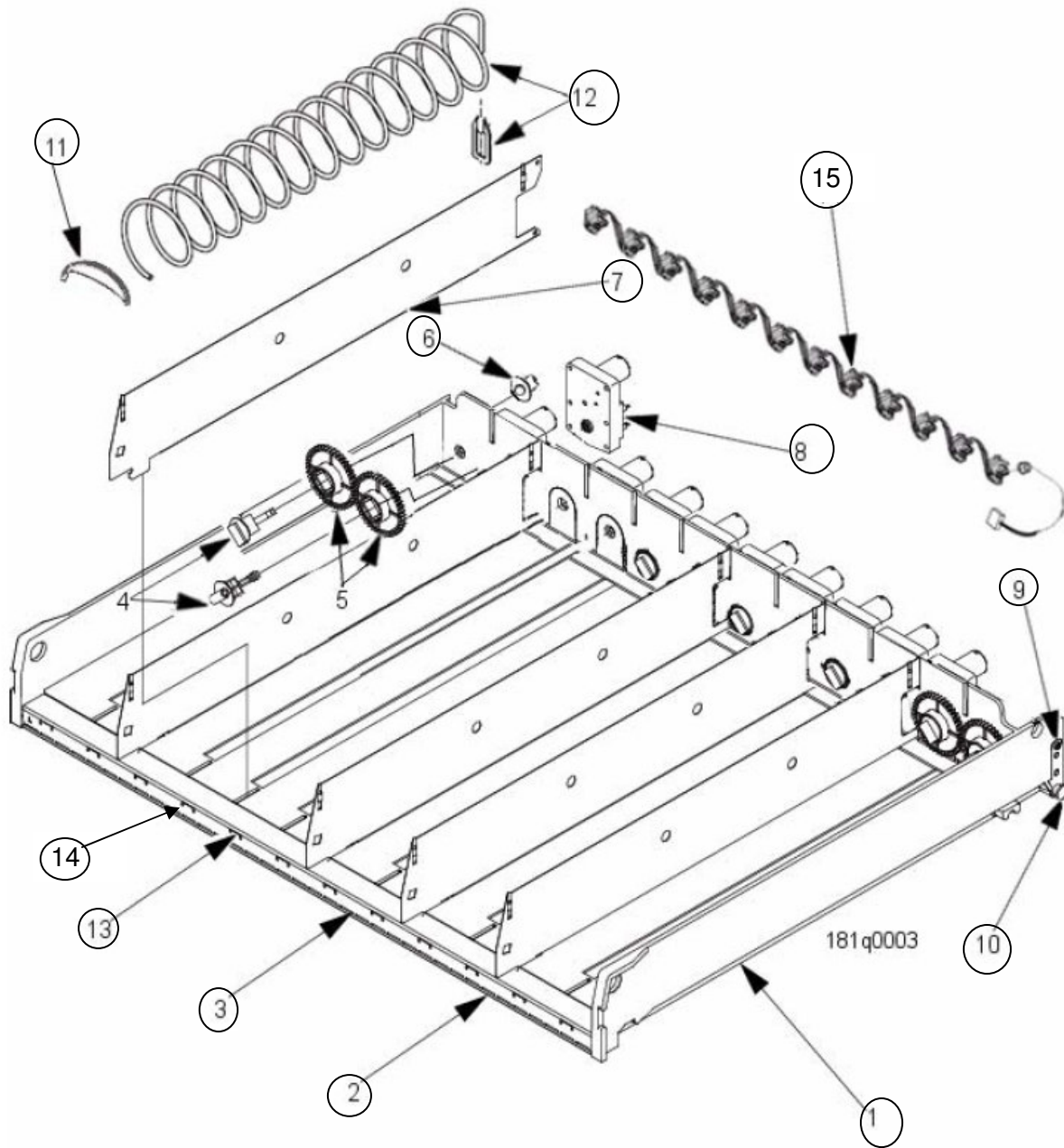
**FIGURE 22: SNACK TRAY**

<b>TABLE 22: SNACK TRAY</b>					
<b>ITEM</b>	<b>MODEL 186</b>	<b>MODEL 187</b>	<b>DESCRIPTION</b>	<b>186</b>	<b>187</b>
1	P1807000	P1817000	TRAY-SNACK ASSEMBLY(NO SPIRALS)	----	----
	1807022	CR0007114	MOLDED TRAY & AXLE ASM	----	----
	1807003	1817003	MOLDED TRAY ONLY-26.84 DEEP	----	----
2	1807004	1817058	RAIL-PRICE SEL	1	1
3	1807005	1817005	HOLDR,PRICE ROLL	1	1
4	1477175	1477175	WALL-TRAY	3	5
5	1477113	1477113	COUPLING-SPIRAL	8	12
6	1477020	1477020	GEAR, TRAY	8	12
7	1577038	1577038	MOTOR & PC BOARD ASSEMBLY	4	6
8	1477022	1477022	BEARING-COUPLER	4	6
9	1817033	1817033	STRAP, SUPPORT AXLE STOP	2	2
10	1817034	1817034	AXLE-TRAY	2	2
11	1477074	1477074	PUSHER-PRODUCT	----	----
12	----	----	SEE SPIRAL TABLE 27 ON PAGE 56	----	----
13	----	----	ITEM LABELS & PRICE ROLLS ON PAGE 47	----	----
14	CR0010952	CR0010942	HARNES-MTR-SHORT	1	1



**FIGURE 23: CANDY TRAY**

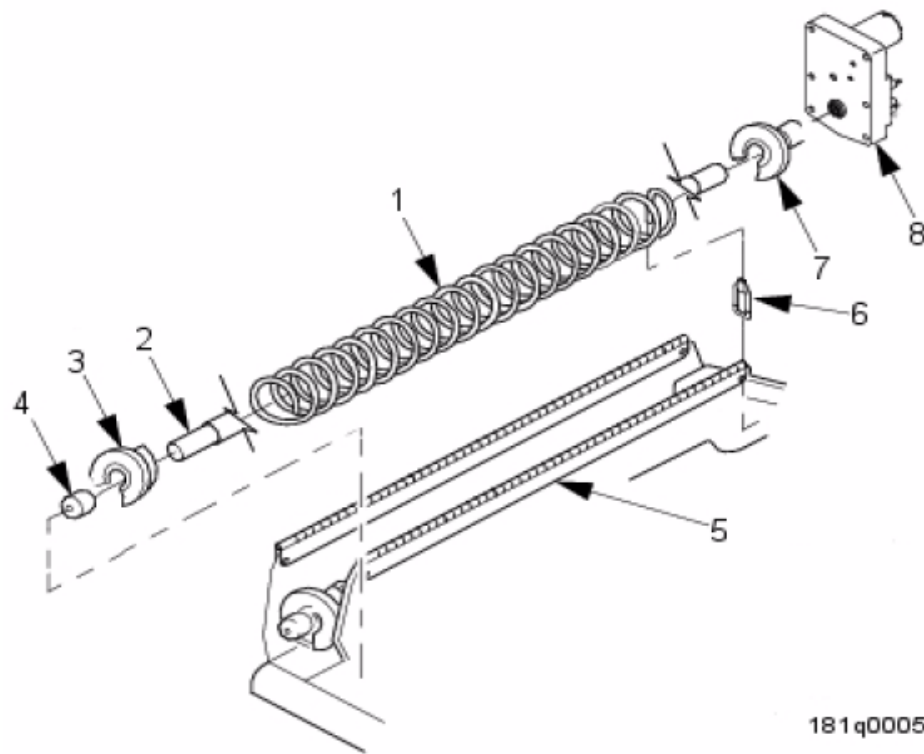
<b>TABLE 23: CANDY TRAY</b>					
<b>ITEM</b>	<b>MODEL 186</b>	<b>MODEL 187</b>	<b>DESCRIPTION</b>	<b>186</b>	<b>187</b>
1	P1807001	P1817001	TRAY-CANDY ASSEMBLY(NO SPIRALS)	----	----
	1807022	CR0007114	MOLDED TRAY & AXLE ASM	----	----
	1807003	1817003	MOLDED TRAY ONLY-26.84 DEEP	----	----
2	1807004	1817058	RAIL-PRICE SEL	1	1
3	1807005	1817005	HOLDR,PRICE ROLL	1	1
4	1677193	1677193	SPACER-ADJUSTABLE	2	2
5	1477113	1477113	COUPLING-SPIRAL	8	12
6	1477175	1477175	WALL-TRAY	7	11
7	1577038	1577038	MOTOR & PC BOARD ASSEMBLY	4	6
8	1817033	1817033	STRAP, SUPPORT AXLE STOP	2	2
9	1817034	1817034	AXLE-TRAY	2	2
10	1477074	1477074	PUSHER-PRODUCT	----	----
11	----	----	SEE SPIRAL TABLE 27ON PAGE 56	----	----
12	AP17400153	AP17400153	ROLL-PRICE LABEL SELF-COILING,\$.40 - \$2.40	OPT	OPT
	80388674	80388674	ROLL-PRICE LABEL SELF-COILING,\$2.40-\$4.35	OPT	OPT
	1477014	1477014	ROLL, PRICE CENTS		
	1477015	1477015	ROLL, PRICE DOLLARS		
	AP17400185	AP17400185	ROLL-PRICE LABEL SELF-COILING-UK		
	AP17400186	AP17400186	ROLL-PRICE LABEL SELF-COILING-AUS		
	AP17400188	AP17400188	ROLL-PRICE LABEL SELF-COILING-MEX		
13	1817041	1817041	LABEL, ITEM NUMBERS-100's	1	1
	1817042	1817042	LABEL, ITEM NUMBERS-200's	1	1
	1817043	1817043	LABEL, ITEM NUMBERS-300's	1	1
	1817044	1817044	LABEL, ITEM NUMBERS-400's	1	1
	1817045	1817045	LABEL, ITEM NUMBERS-500's	1	1
	1817046	1817046	LABEL, ITEM NUMBERS-600's	1	1
	1817047	1817047	LABEL, ITEM NUMBERS-700's	1	1
14	CR0011005	CR0010832	HARNES-MTR TRAY SHORT	1	1



**FIGURE 24: SQUAT TRAY**

**TABLE 24: SQUAT TRAY**

ITEM	MODEL 186	MODEL 187	DESCRIPTION	186	187
1	P1807002	P1817002	TRAY-SQUAT ASSEMBLY (NO SPIRALS)	----	----
	1807022	CR0007114	MOLDED TRAY & AXLE ASM	----	----
	1807003	1817003	MOLDED TRAY ONLY-26.84 DEEP	----	----
2	1807004	1817058	RAIL-PRICE SEL	1	1
3	1807005	1817005	HOLDR,PRICE ROLL	1	1
4	1477113	1477113	COUPLING-SPIRAL	8	12
5	1477020	1477020	GEAR, TRAY	4	4
6	1477022	1477022	BEARING-COUPLER	2	2
7	1817011	1817011	WALL-TRAY-G&M	5	9
8	1577038	1577038	MOTOR & PC BOARD ASSEMBLY	6	6
9	1817033	1817033	STRAP, SUPPORT AXLE STOP	2	2
10	1817034	1817034	AXLE-TRAY	2	2
11	1477074	1477074	PUSHER-PRODUCT	----	----
12			SEE SPIRAL TABLE 27ON PAGE 56		
13	AP17400153	AP17400153	ROLL-PRICE LABEL SELF-COILING,\$.40 - \$2.40	OPT	OPT
	80388674	80388674	ROLL-PRICE LABEL SELF-COILING,\$2.40-\$4.35	OPT	OPT
	1477014	1477014	ROLL, PRICE CENTS		
	1477015	1477015	ROLL, PRICE DOLLARS		
	AP17400185	AP17400185	ROLL-PRICE LABEL SELF-COILING-UK		
	AP17400186	AP17400186	ROLL-PRICE LABEL SELF-COILING-AUS		
	AP17400188	AP17400188	ROLL-PRICE LABEL SELF-COILING-MEX		
14	1817041	1817041	LABEL, ITEM NUMBERS-100's	1	1
	1817042	1817042	LABEL, ITEM NUMBERS-200's	1	1
	1817043	1817043	LABEL, ITEM NUMBERS-300's	1	1
	1817044	1817044	LABEL, ITEM NUMBERS-400's	1	1
	1817045	1817045	LABEL, ITEM NUMBERS-500's	1	1
	1817046	1817046	LABEL, ITEM NUMBERS-600's	1	1
	1817047	1817047	LABEL, ITEM NUMBERS-700's	1	1
15	CR0011005	CR0010832	HARNESS-MTR TRAY SHORT	1	1

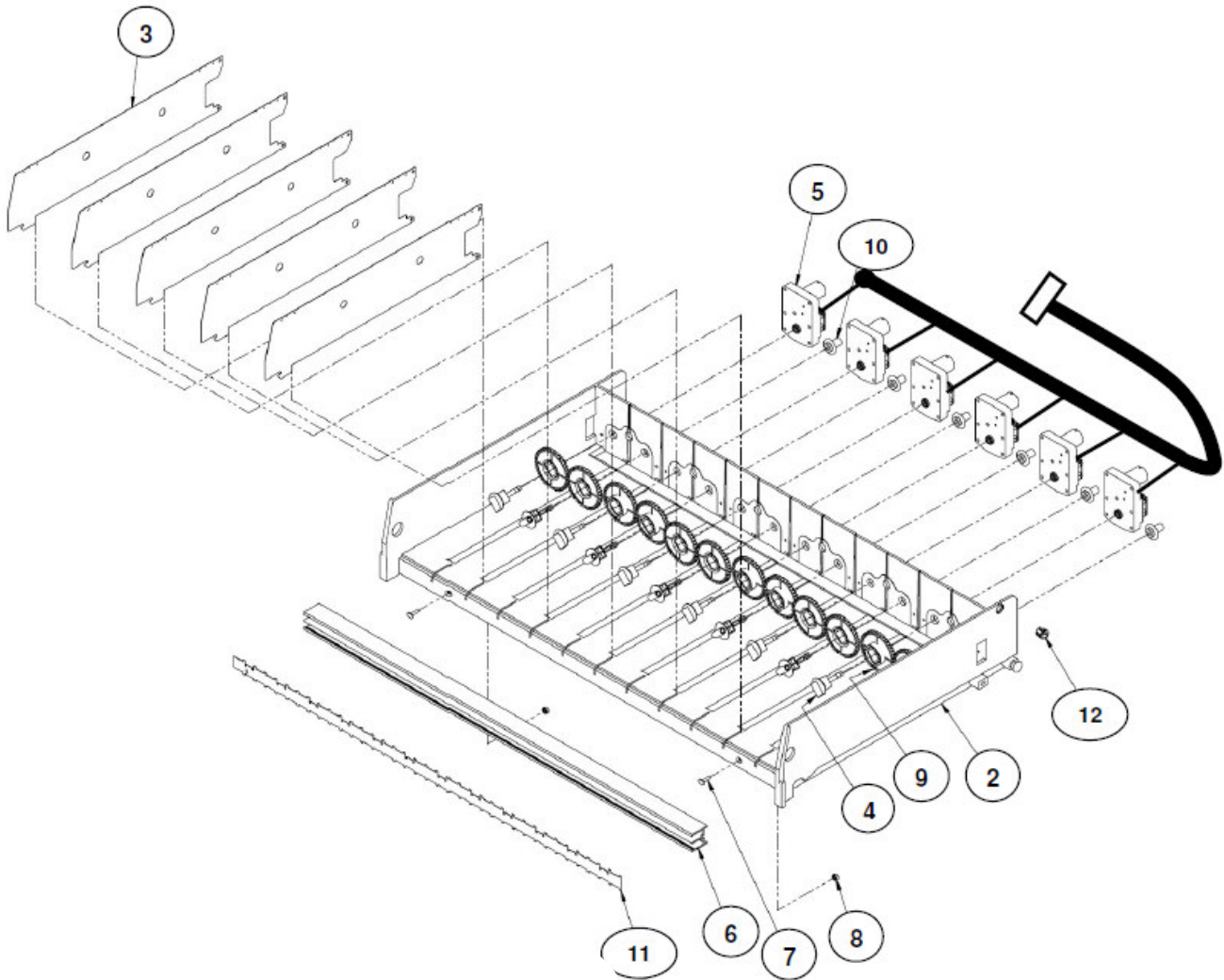


181q0005

**FIGURE 25: HALF CYCLE GUM & MINT SPIRAL ASSEMBLY**

<b>TABLE 25: HALF CYCLE GUM &amp; MINT SPIRAL ASSEMBLY</b>			
<b>INDEX</b>	<b>PART NUMBER</b>	<b>DESCRIPTION</b>	<b>QTY</b>
1		SPIRAL (SEE TABLE 27)	
2	1677004	SPIRAL INSERT ASSY-BLACK	2
3	1467129	DISC-SPIRAL INSERT	2
4	1677005	CAP-SPIRAL INSERT-BLACK	4
5	1677193	SPACER-ADJUSTABLE	4
6		RETAINER-SPIRAL (SEE PAGE 38 OR DETAILS)	
7	1467130	DISC-SPIRAL INSERT	2
8	1477114	MOTOR & PCB ASSEMBLY	2

**THIS PAGE INTENTIONALLY LEFT BLANK**



**FIGURE 26: SNACK AND CANDY TRAY ASSEMBLY COMBO**

<b>TABLE 26: SNACK AND CANDY TRAY ASSEMBLY COMBO</b>					
<b>ITEM</b>	<b>MODEL 471</b>	<b>MODEL 472</b>	<b>DESCRIPTION</b>	<b>471</b>	<b>472</b>
1	CR0005255	CR0005222	SNACK TRAY ASSEMBLY(NO SPIRALS)	----	----
	CR0005221	CR0005225	CANDY TRAY ASSEMBLY(NO SPIRALS)	----	----
2	CR0010650	CR0014533	ASSY, TRAY W/ROLLERS	1	1
----	1477097	1477097	AXLE-TRAY ROLLER – PART OF #2	2	2
----	1477148	1477148	ROLLER-TRAY – PART OF #2	2	2
----	1717001	CR0005286	TRAY	1	1
3	1707062	1707062	WALL-TRAY	----	----
4	1477113	1477113	COUPLING-SPIRAL	----	----
5	1577038	1577038	MOTOR & PC BOARD ASSEMBLY	4/8	6/12
7	2222031	2222031	TEE BOLT, TRIM	2	2
8	9900081	9900081	NUT, #8-32 KEPS ZINC PLATE	----	----
9	1477020	1477020	GEAR, TRAY	8	12
10	1477022	1477022	BEARING-COUPLER	8	12
11	1687017	CR0004222	HOLDER, PRICE & SELECTION	1	1
12	9989821	9989821	BUSHING, 0.512 DIAMETER	1	1
13	4499024	----	HARNESS, COMBO 4 MTR TRAY	1	----
	4499025	----	HARNESS, 8 MOTOR COMBO	1	----
	----	4499022	HARNESS, 6 MOTOR COMBO	----	1
		4499023	HARNESS, 12 MOTOR COMBO	----	1
			SPIRAL OPTIONS 28" DEEP MACHINE MODELS 471/472 SEE TABLE 27 ON PAGE 56		

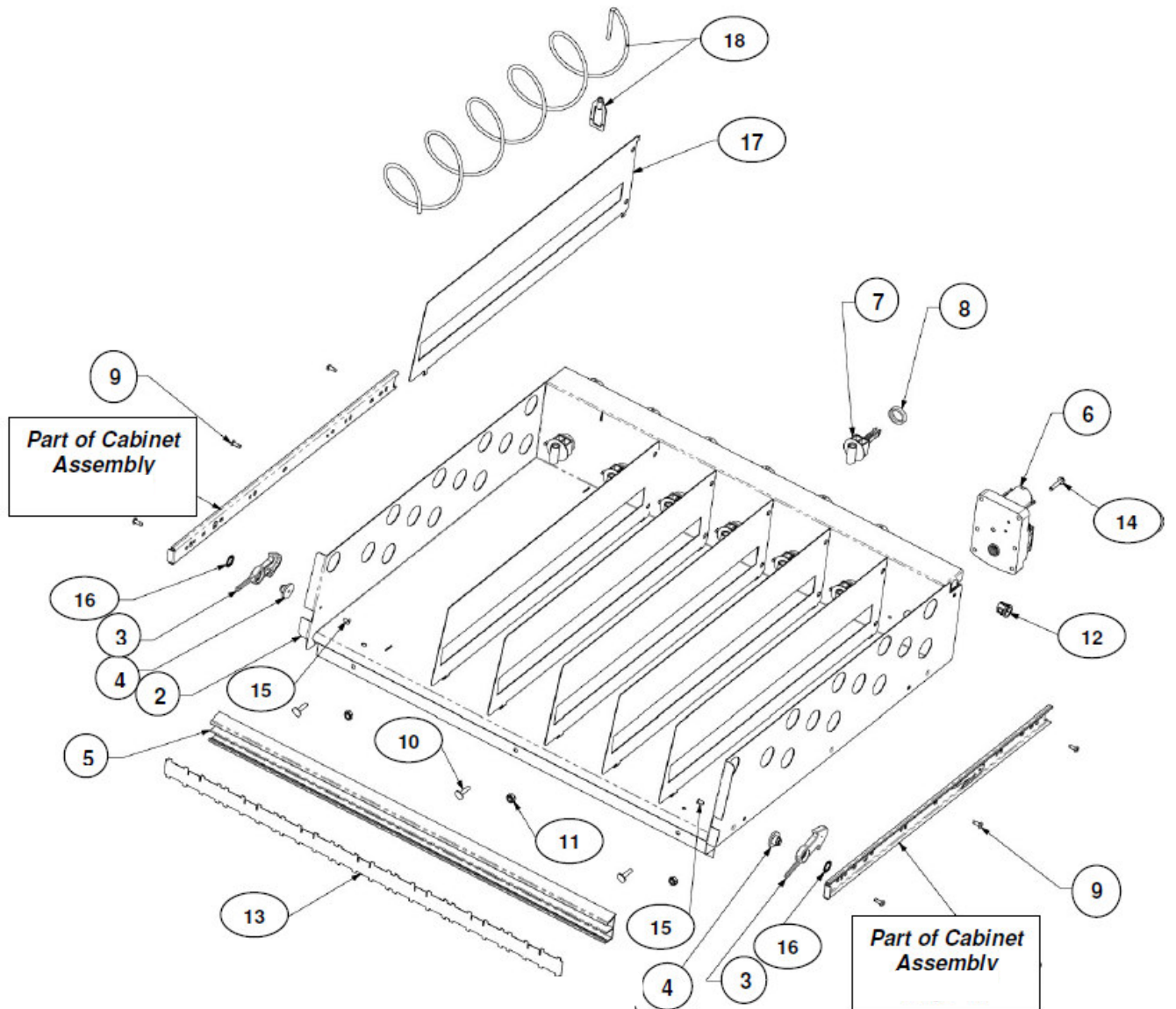
**TABLE 27: SPIRAL OPTIONS 35" DEEP MACHINE  
MODELS 186/187**

		(LEFT HAND)		(RIGHT HAND)		
SPIRAL COUNT	RETAINER COLOR	ASSEMBLY	SPIRAL	ASSEMBLY	SPIRAL	RETAINER
5	ORANGE	1677182	1477178	1677181	1477179	1467137
6	PURPLE	1477103	1477102	1477105	1474104	1477107
9	GRAY	1477152	1477153	1477149	1477150	1477155
11	BLUE	1477023	1477024	1477026	1477027	1457061
13	YELLOW	1477029	1477030	1477032	1477033	1457062
15	RED	1477035	1477036	1477038	1477039	1457063
17	BROWN	1477101	1477100	1477099	1477098	1477106
20	WHITE	1477041	1477042	1477044	1477045	1457064
25	GREEN	1477047	1477048	1477050	1477051	1457065
30	BLACK	1477053	1477054	1477056	1477057	1477073
38	ORANGE	1477059	1477060	1477062	1471063	1467137

**TABLE 27: SPIRAL OPTIONS 28" DEEP MACHINE  
MODELS 471/472**

		COUNTER CLOCKWISE (LEFT HAND)		CLOCKWISE (RIGHT HAND)		
SPIRAL COUNT	RETAINER COLOR	ASSEMBLY	SPIRAL	ASSEMBLY	SPIRAL	RETAINER
4	GREEN	1707049	1707048	1707051	1707050	1457065
5	TAN	1707045	1707044	1707047	1707046	4407817
6	PURPLE	1707041	1707040	1707043	1707042	1477107
7	BROWN	1707058	1707057	1707060	1707059	1477106
8	GRAY	1707016	1707017	1707018	1707019	1477155
10	BLUE	1707004	1707005	1707006	1707007	1457061
12	YELLOW	1707008	1707009	1707010	1707011	1457062
14	RED	1707012	1707013	1707014	1707015	1457063
18	WHITE	1707020	1707021	1707022	1707023	1457064

**THIS PAGE INTENTIONALLY LEFT BLANK**



**FIGURE 28: BOTTLE TRAY ASSEMBLY COMBO**

<b>TABLE 28: BOTTLE TRAY ASSEMBLY COMBO</b>					
<b>ITEM</b>	<b>MODEL 471</b>	<b>MODEL 472</b>	<b>DESCRIPTION</b>	<b>471</b>	<b>472</b>
1	PCR0007473	PCR0007474	ASSY, TRAY,BOTTLE	----	----
2	CR0014773	CR0014770	WELD ASSY, B0TTLE TRAY	----	----
3	1670031	1670031	LATCH & RETAINER PACKAGE	2	2
4	7807004	7807004	STUD-TRAY LATCH	2	2
5	CR0004570	CR0004902	RAIL, PRICE & SELECTION	1	1
6	1577038	1577038	MOTOR & PC BOARD ASSEMBLY	7	10
7	1477113	1477113	COUPLING-SPIRAL	7	10
8	4407803	4407803	SPACER-MOTOR	7	10
9	AP276-8R6	AP276-8R6	8-32X3/8 PN/NIBS HD T23 BL	6	6
10	2222031	2222031	TEE BOLT, TRIM	3	3
11	9900081	9900081	NUT, #8-32 KEPS ZINC PLATE	----	----
12	9989821	9989821	BUSHING, 0.512 DIAMETER	1	1
13	CR0007442	CR0007440	HOLDER, PRICE	1	1
14	1457027	1457027	SCREW,#8-32 X .81 HEX HD.	7	10
15	3502078	3502078	RIVET, POP-.125 DIA X .265	2	2
16	5201267	5201267	RETAINER, .312 PUSH ON	2	2
17	CR0019985	CR0019985	DIVIDER, BTL TRAY W/SPRING	6	9
18	CR0006912	CR0006912	ASSY-4CT LH SPIRAL & BLK RET	7	10
----	CR0009823	CR0009823	ASSY,5CT LH SPIRAL & TAN RET	7	10
19	4499034	4499033	HARNESS-MOTOR BOTTLE(NOT SHOWN)	1	1

