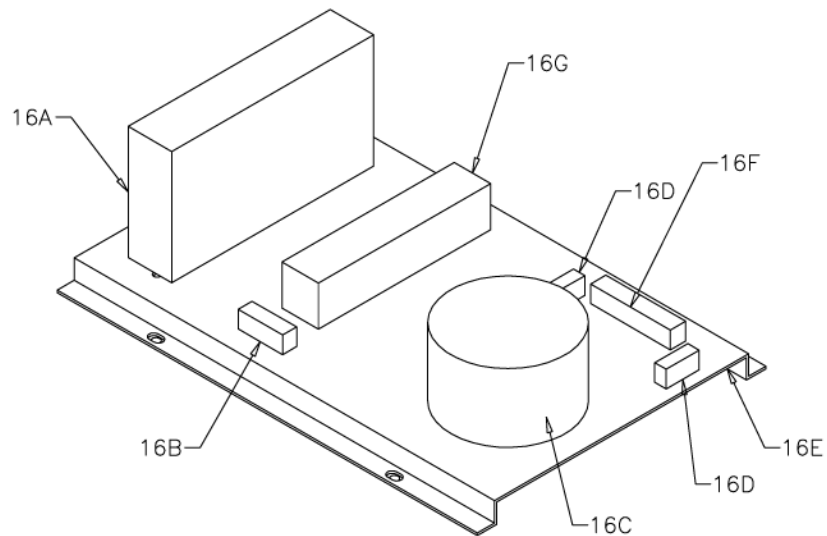
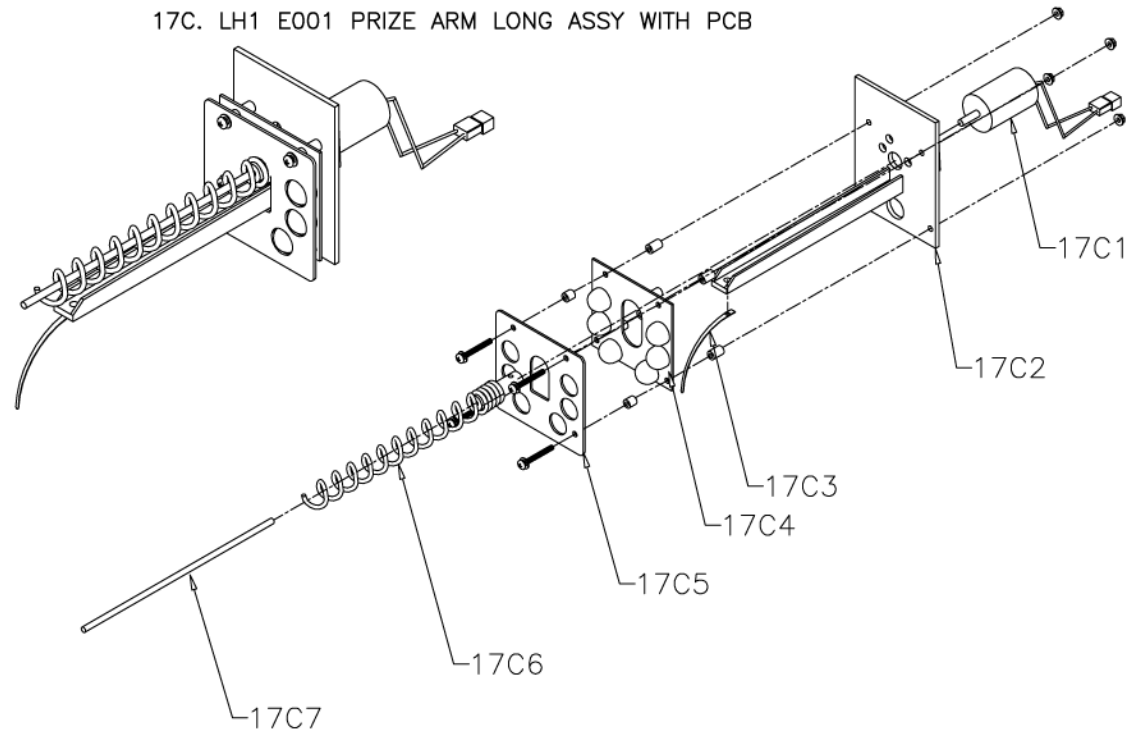


NO	PART NO	DESCRIPTION	QTY	
15	CD A001	CAPSUL DISPENCER ASSEMBLY	1 SET	
SUB ASSY	15A	BA0005	PCB TICKET INTERFACE	1
	15B	CD A001A	MOTOR CAPSULE DISP ASSEMBLY	1 SET
	15B1	EA1158	MOTOR 8000DC 12VDC 10-18 RPM	1
	15C	HA2073	CAPSULE DISPENCER KITS 1.5" DIA 38mm	1
	15D	CD A001B	CAPSULE DISPENCER BRACKET	1 SET
	-	EA0406	MICROSWITCH LEVER 51	1
-	LH1 H001	CAPSULE DISPENCER HARNESS	1	
16	LH1 E002	POWER ASSEMBLY	1 SET	
PART ITEM	16A	EA1003	POWER SUPPLY +5V 15A +12V 4A -5V 1A	1
	16B	EA0311	STARTER BASE UL	1
	16C	EA0815	TRAFORMER WITH CONECTOR	1
	16D	EA0042	FUSE HOLDER	2
	16E	LH1-FM-39-R0	TRAF0 BRACKET	1
	16F	EA0814	TERMINAL BLOCK UL	1
	16G	EA1359	BALLAST 240V, 15W (OPTIONAL FOR USA)	1
-	LH1 E007	POWER HARNESS	1	
17	LH1 E001	PRIZE ARM LONG ASSY WITH PCB	1 SET	
PART ITEM	-	EA1155A	PRIZE ARM LONG ASSY WITHOUT PCB	1
	17C1	EA1155C	12VDC MOTOR JM 300-3259	1
	17C2	EA1155B	PRIZE DISP ARM SILVER PLASTIC ONLY	1
	17C3	EA1155E	PRIZE DISP ARM TONGUE SLIDE	1
	17C4	BAFB77a	PCB FB77A PRIZE ARM	1
	17C5	LH1-FP-002-R0	MIRROR LED PANEL	1
	17C6	EA1155F	PRIZE DISP ARM SPIRAL, 16.5 +/-1.5 ROT	1
	17C7	EA1155D	PRIZE DISP ARM LOCKING PIN LENGHT,28 CM	1
-	AT2957	STICKER	1	

16. LH1 E007 POWER ASSEMBLY

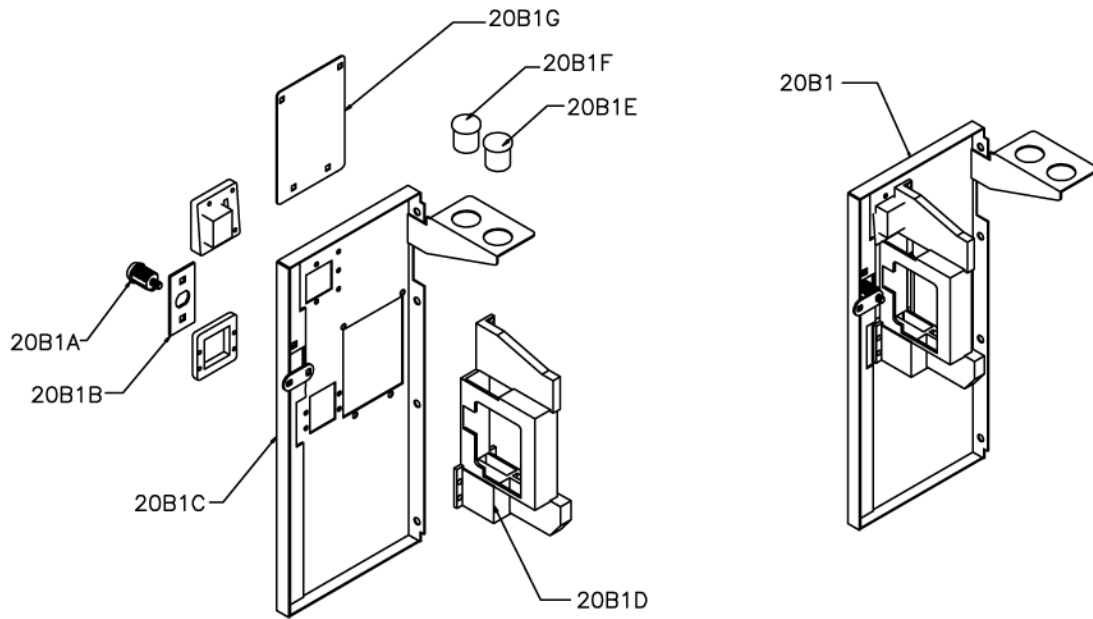


17C. LH1 E001 PRIZE ARM LONG ASSY WITH PCB

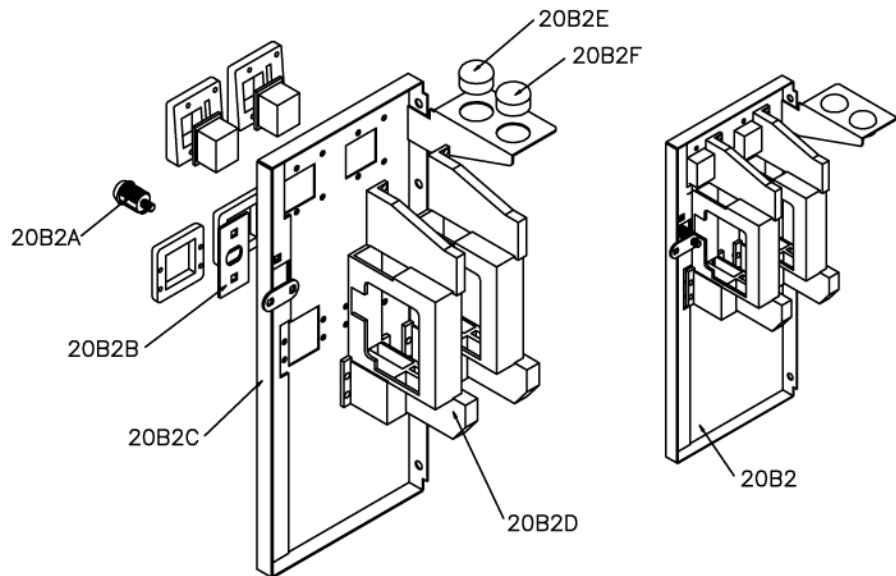


LIGHTHOUSE GIANTS

20B1. COINDOOR 1 DBA 1 SLOT ASSY

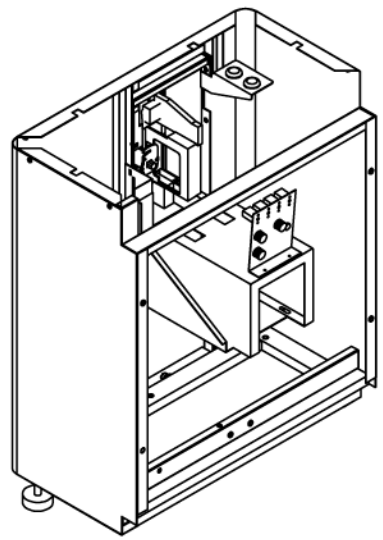
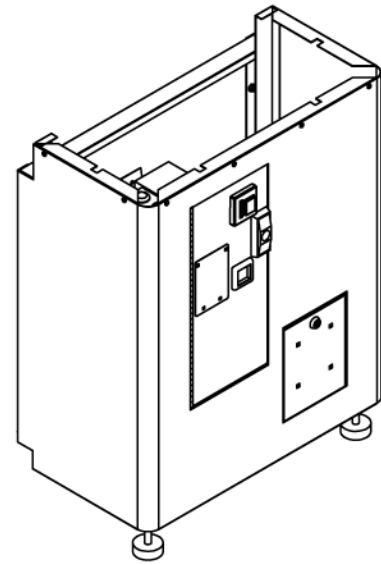
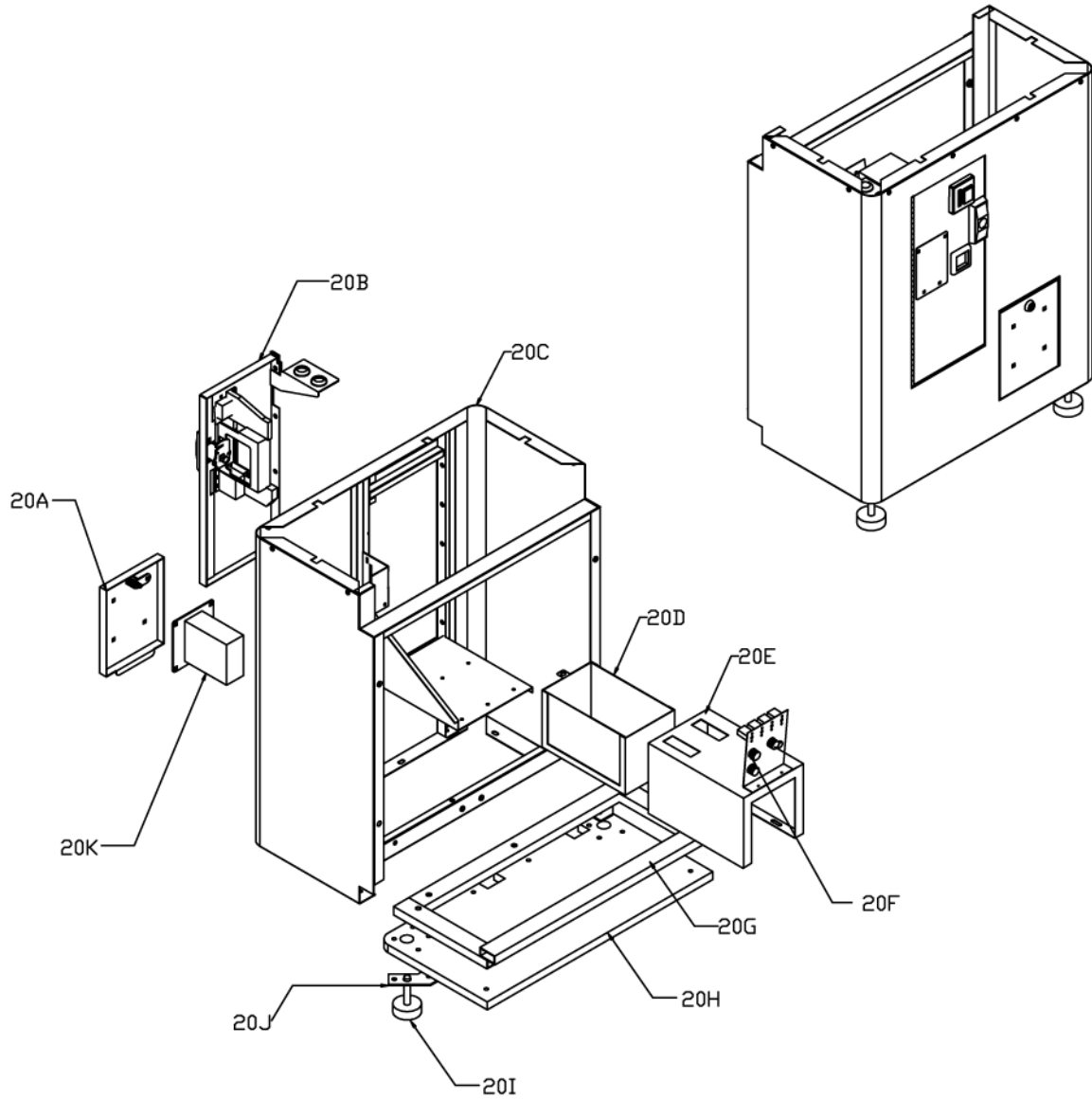


20B2. COINDOOR DOUBLE SLOT ASSY



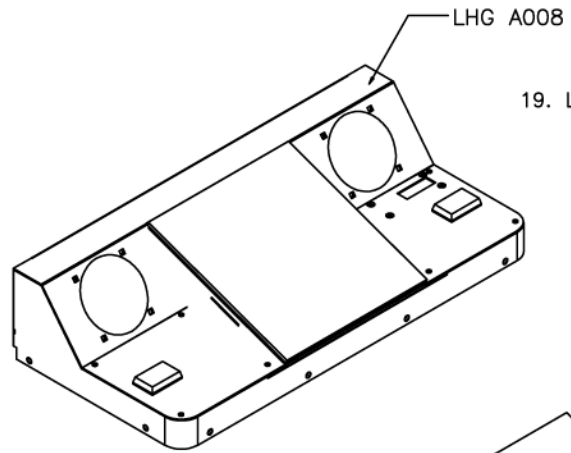
NO	PART NO	DESCRIPTION	QTY	
20B1	LHG A009A	COINDOOR 1 DBA 1 SLOT ASSY	1	
PART ITEM	20B1A	HM0004	LOCK ANGLE	1
	20B1B	LHG1-FM-022-R0	LOCK ADAPTER PLATE	1
	20B1C	HA0018	COIN DOOR DBA WITHOUT STICKER	1
	20B1D	HM0014	COIN MECHANISM	1
	20B1E	EA0519	SWITCH SMALL ROUND RED BUTTON	1
	20B1F	EA0520	SWITCH SMALL ROUND GREEN BUTTON	1
	20B1G	LHG1-FM-093-R0	COVER DBA	1
	-	LHG H007	COINDOOR 1 DBA 1 SLOT HARNESS	1
20B2	LHG A009B	COINDOOR DOUBLE SLOT ASSY	1	
PART ITEM	20B2A	HM0004	LOCK ANGLE	1
	20B2B	LHG1-FM-022-R0	LOCK ADAPTER PLATE	1
	20B2C	HA0019	COINDOOR DOUBLE SLOT METAL ONLY	1
	20B2D	HM0014	COIN MECHANISM	2
	20B2E	EA0520	SWITCH SMALL ROUND GREEN BUTTON	1
	20B2F	EA0519	SWITCH SMALL ROUND RED BUTTON	1
	-	LHG H008	COINDOOR DOUBLE SLOT HARNESS	1

20. LHG A009 CONTROL PANEL BOX ASSEMBLY

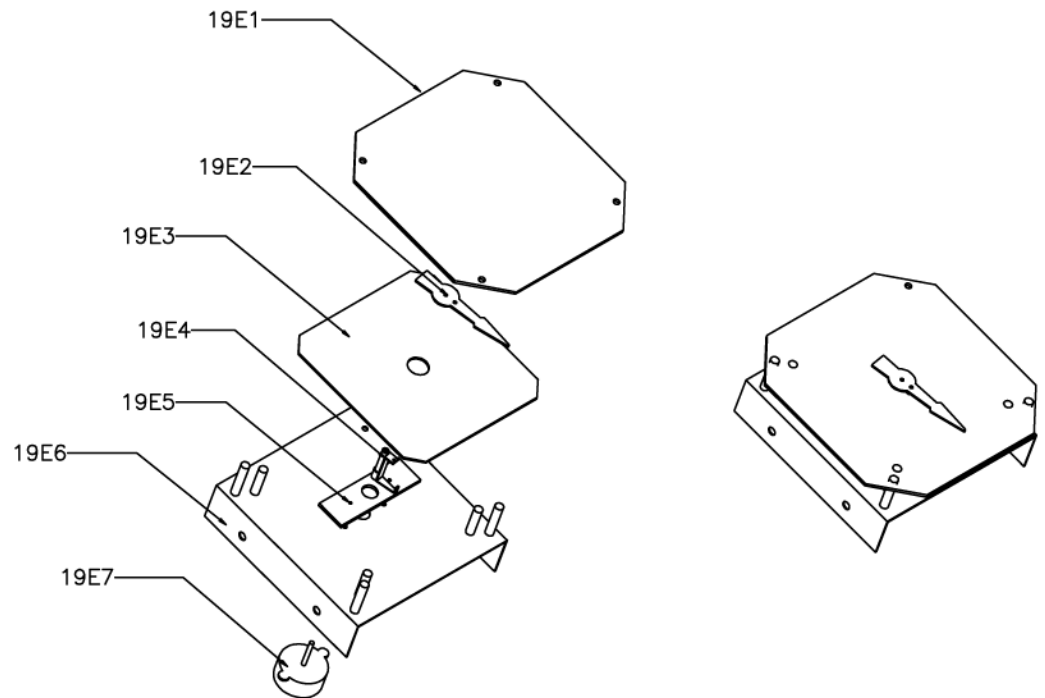
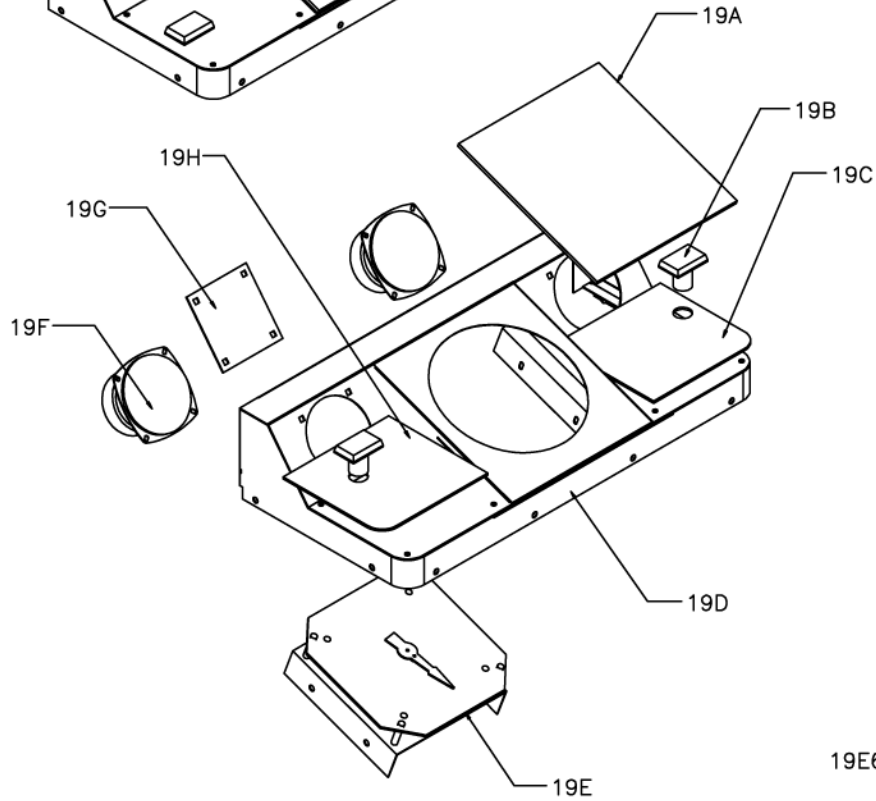


NO	CODE	DESCRIPTION	QTY	
20	LHG A009	CONTROL PANEL BOX ASSEMBLY	1	
PART ITEM SUB	20A	LHG-FM-018-R1	TICKET DOOR METAL ONLY	1
	20A1	HM0004	LOCK ANGLE	1
	20B	LHG A009A	COINDOOR 1 DBA 1 SLOT ASSEMBLY	1
	20C	LHG-SA-016-R0	CONTROL PANEL BOX METAL ONLY	1
	20C1	AT3309	STICKER CONTROL PANEL BOX	1
	20D	HA0006	CASH BOX	1
	20E	HM0010	HOUSING CASH BOX	1
	20F	LHG E005	SERVICE PANEL ASSEMBLY	1
	20F1	EA1252	COIN COUNTER 12V REAR MOUNTING	4
	20F2	EA0520	SWITCH SMALL ROUND GREEN BUTTON	1
	20F3	EA0519	SWITCH SMALL ROUND RED BUTTON	1
	20F4	EA0522	SWITCH SMALL ROUND YELLOW BUTTON	1
	20F5	EE0689	POTENSIO CARBON DUAL GANG 50K OHM	1
	20F6	LHG-FM-077-R1	SERVICE BRACKET METAL ONLY	1
	20F7	LHG H006	SERVICE PANEL HARNESS	1
	20G	LHG-SA-021-R0	SMALL FRAME	1
	20H	LHG-FW-006-R1	CONTROL PANEL BASE	1
20I	HM0002	RUBBER MOUNTING	2	
20J	LHG-FM-090-R0	MOUNTING BASE	2	
20K	EA1102	TICKET DISPENCER ENTROPHY	1	

LIGHTHOUSE GIANT

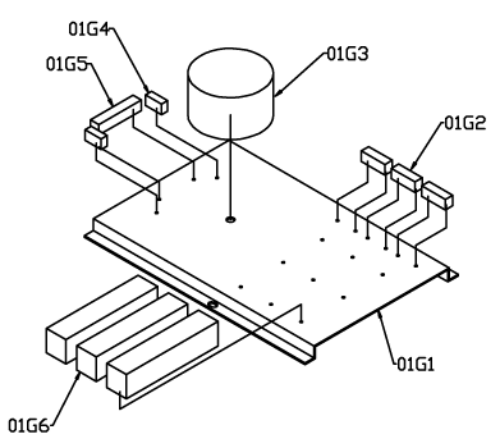


19. LHG A008 CONTROL PANEL COVER ASSEMBLY

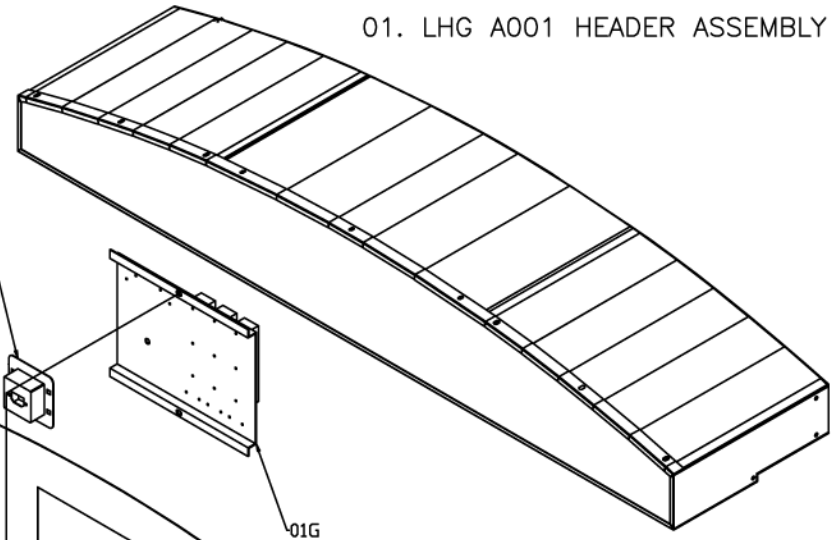
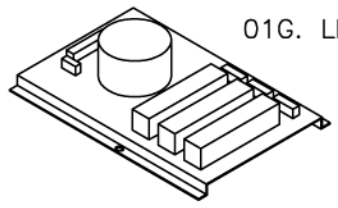


NO	PART NO	DESCRIPTION	QTY		
19	LHG A008	CONTROL PANEL COVER ASSEMBLY	1		
PART ITEM	19A	LHG-FP-002-R0	PLAYFIELD PANEL	1	
	19B	EA0507	SWITCH RECTA GREEN BUTTON WITH LAMP	1R,1L	
	19C	LHG-FP-001-R1	CONTROL PANEL ACRYLIC	1	
	19D	LHG-SA-017-R0	PLAYFIELD ASSEMBLY	1	
	19E	LHG E004	WHEEL ASSEMBLY	1	
	SUB	19E1	LHG-FP-018-R0	ACRYLIC WHEEL PANEL COVER	1
		19E2	LHG-FM-094-R0	SPIN WHEEL NEEDLE	1
		19E3	BAFB75	PCB FB75 LED WHEEL	1
		19E4	LHG-SA-097-R1	STEPPER MOTOR SHAFT	1
		19E5	LHG-FM-095-R0	STEPPER MOTOR ADJUSTER	1
		19E6	LHG-FM-096-R0	STEPPER MOTOR HOLDER	1
		19E7	EA1162	STEPPER MOTOR BY42-4801 60 OHM 12V	1
	19F	EA1201	SPEAKER 4" 8 OHM 40W	2	
19G	LHG-FM-023-R0	SPEAKER GRILL	2		
19H	AT3302	STICKER ACRYLIC PLAY INSTRUCTION COMPLETE	1		

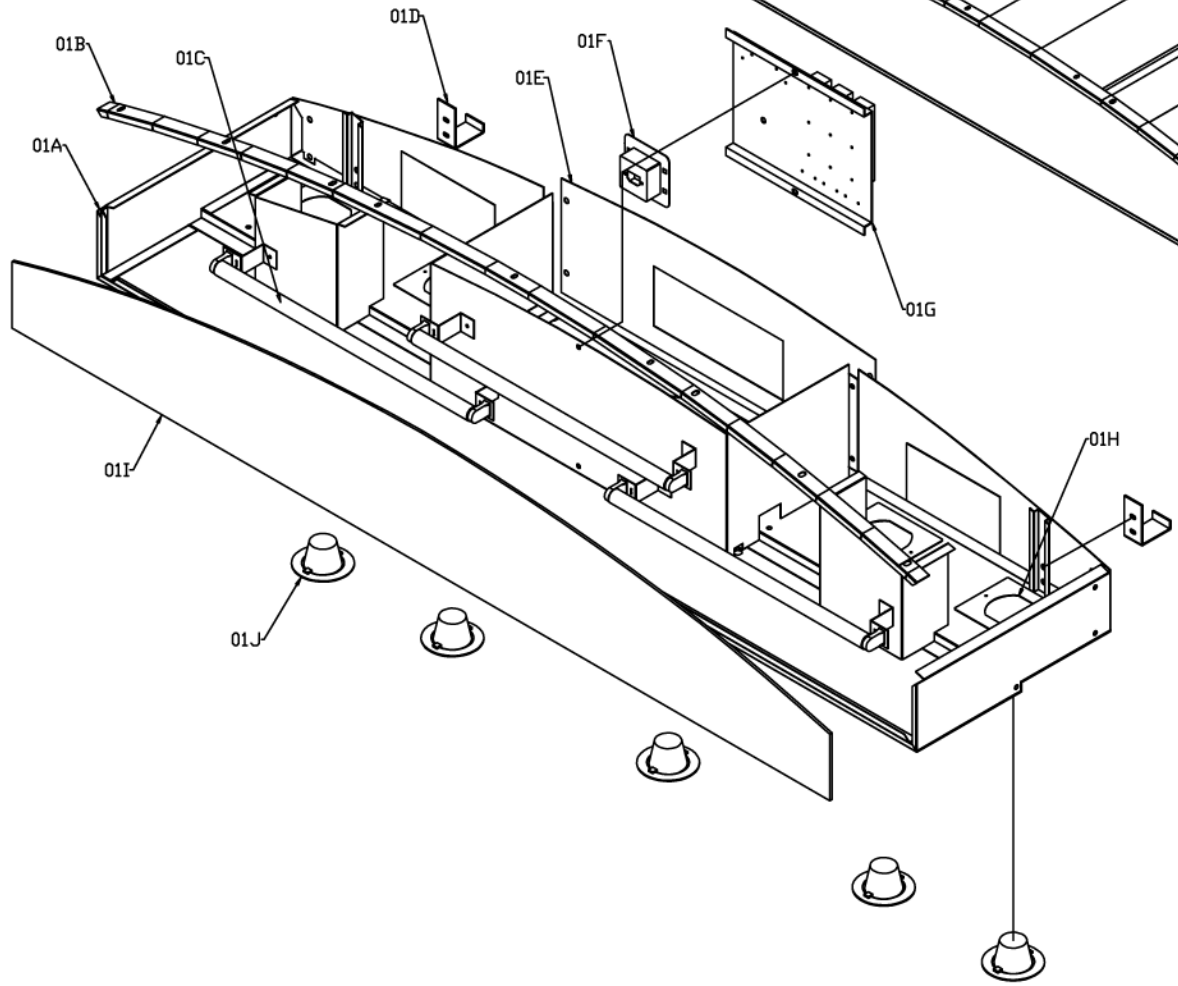
LIGHTHOUSE GIANT



01G. LHG A001C HEADER POWER ASSEMBLY



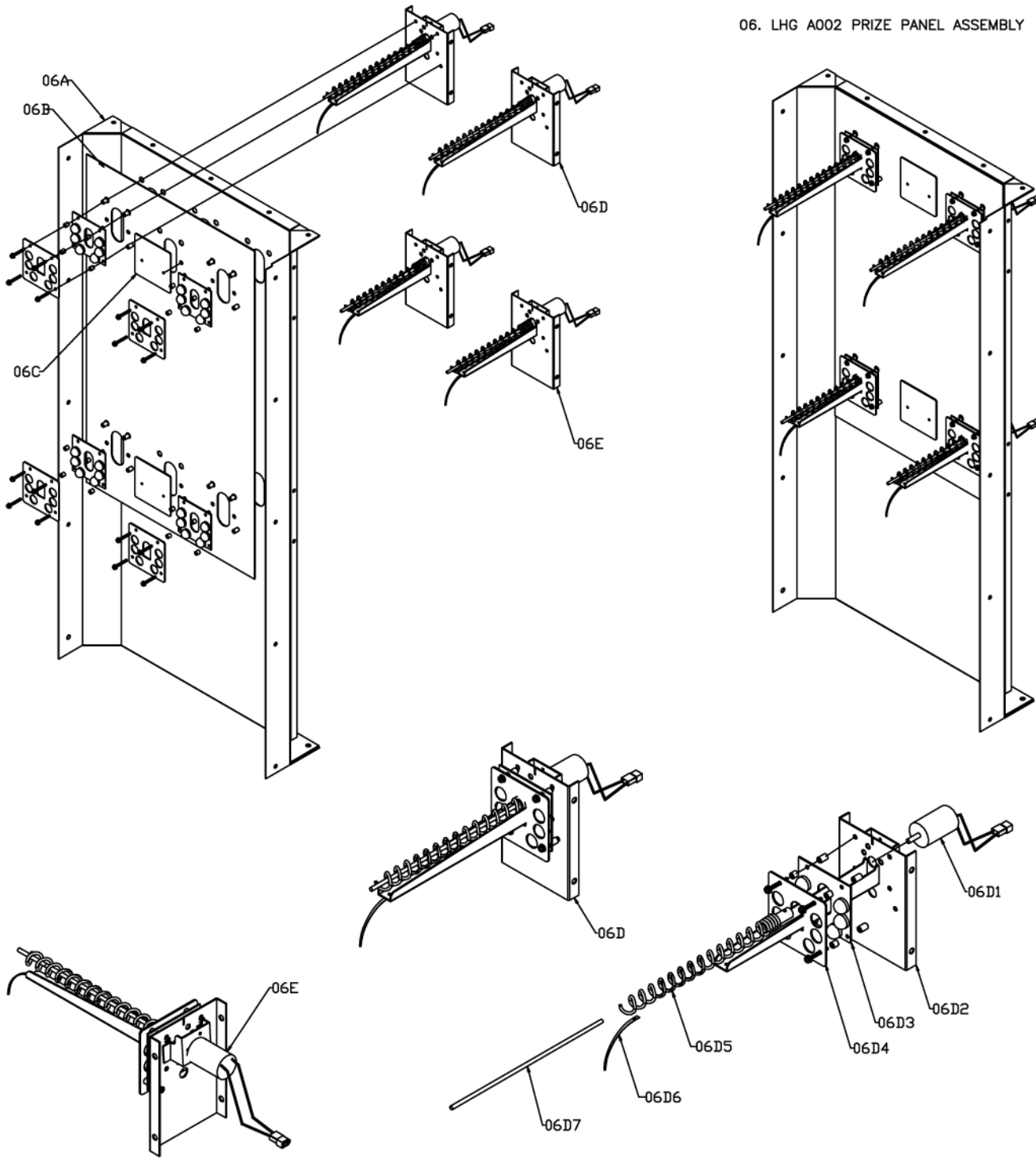
01. LHG A001 HEADER ASSEMBLY



NO	PART NO	DESCRIPTION	QTY		
01	LHG A001	HEADER ASSEMBLY	1		
SUB	01A	LHG-SA-54-RO	HEADER ASSEMBLY METAL ONLY	1	
	01B	LHG-FM-55-RO	METAL TOP LIST	1	
	01C	LHG A001A	HEADER LIGHT ASSEMBLY	3	
	SUB	01C1	LHG-FM-60-RO	HEADER LAMP BRACKET	6
		01C2	EA0206	NEON 18W COOL WHITE	3
		01C3	EP0434	END CAP HOLDER MODEL 713-HS	6
	01D	LHG-FM-57-RO	L BRACKET SUPPORT	2	
	01E	LHG-FM-56-RO	HEADER BACK MIDDLE	1	
	01F	LHG A001B	POWER INLET ASSEMBLY	1	
	SUB	01F1	LHG-FM-61-RO	POWER INLET BRACKET	1
		01F2	EA0642	SOCKET AC 3 MALE (CAROUSEL)	1
01G	LHG A001C	HEADER POWER ASSEMBLY	1		
SUB	01G1	LHG-FM-62-RO	TRAFD BRACKET	1	
	01G2	EA0311	STARTER BASE UL	3	
	01G3	EA0815	TRANSFORMER WITH CONECTOR	1	
	01G4	EA0042	FUSE HOLDER	2	
	01G5	EA0814	TERMINAL BASE UL	1	
	OPTIONAL				
	01G7	EA0325	BALLAST 240V, 15W	3	
	01G8	EA0304	LAMP NEON STARTER S-10 220-240V	3	
	01G9	EA1359	BALLAST SP2 15W 120VAC	3	
	01G10	EA0317	LAMP NEON STARTER FS-2 120VAC	3	
	01G11	LHG H003	HEADER POWER HARNESS	1	
01H	LHG-FM-91-RO	DOWNLIGHT BRACKET	5		
01J	AT3305	STICKER ACRILIC TOP HEADER	1		
01J	HA0001ST	DOWNLIGHT ASSEMBLY	5		
-	LHG H004	HEADER HARNESS	1		

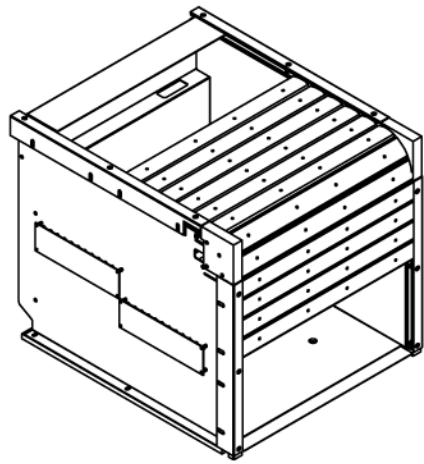
LIGHTHOUSE GIANT

06. LHG A002 PRIZE PANEL ASSEMBLY

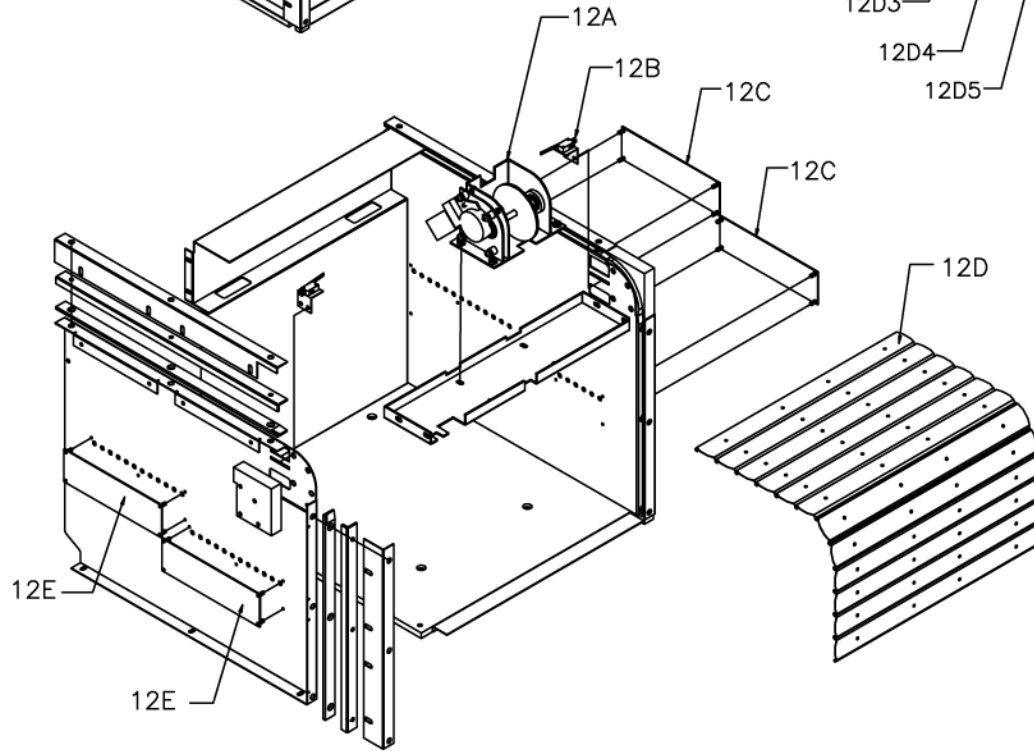
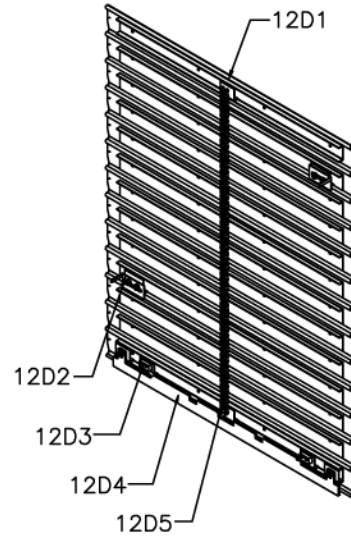


NO	PART NO	DESCRIPTION	QTY		
06	LHG A002	PRIZE PANEL ASSEMBLY	1		
PART ITEM	06A	LHG-SA-24-R0	PRIZE PANEL METAL ONLY	1	
	06B	LHG-FP-15-R0	PRIZE PANEL MIRROR	1	
	06C	LHG-FP-14-R0	MIDDLE LED MIRROR	2	
	06D	LHG A002A	PRIZE ARM UPPER ASSEMBLY	2	
	SUB	06D1	EA1155C	12VDC MOTOR JM 300-3259	2
		06D2	LHG-SA-25-R0	PRIZE ARM UPPER METAL ONLY	2
		06D3	BAFB77B	PCBFB77B WITH 6 LED INTO ONE PCB	2
		06D4	LHG-FP-03-R0	MIRROR LED PANEL	2
		06D6	EA1155F	PRIZE DISP ARM SPIRAL, 16.5 +/-1.5 ROT	2
		06D7	EA1155E	PRIZE DISP ARM TONGUE SLIDE	2
		06D8	EA1155D	PRIZE DISP ARM LOCKING PIN LENGHT,28 CM	2
		06D9	AT3308	STICKER MAJOR MINOR PRIZE	2
		06E	LHG A002B	PRIZE ARM LOWER ASSEMBLY	2
	SUB	06E1	EA1155C	12VDC MOTOR JM 300-3259	2
		06E2	LHG-SA-26-R0	PRIZE ARM LOWER METAL ONLY	2
		06E3	BAFB77B	PCBFB77B WITH 6 LED INTO ONE PCB	2
		06E4	LHG-FP-03-R0	MIRROR LED PANEL	2
		06E5	EA1174F	PRIZE DISP ARM SPIRAL MEDIUM, 21 ROT	2
06E6		EA1155E	PRIZE DISP ARM TONGUE SLIDE	2	
06E7		EA1155I	PRIZE DISP ARM LOCKING PIN SMALL,22.5 CM	2	
06E8		AT3308	STICKER MAJOR MINOR PRIZE	2	

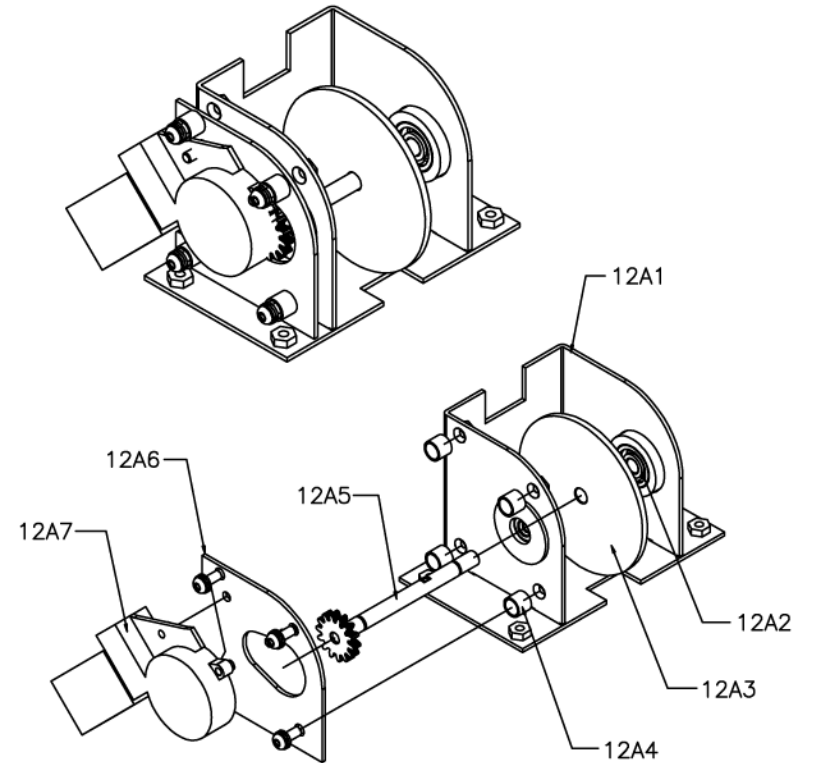
12. LHG A006 ROLLING DOOR ASSEMBLY



12D. LHG A006B ROLLING DOOR ALMUNIUM

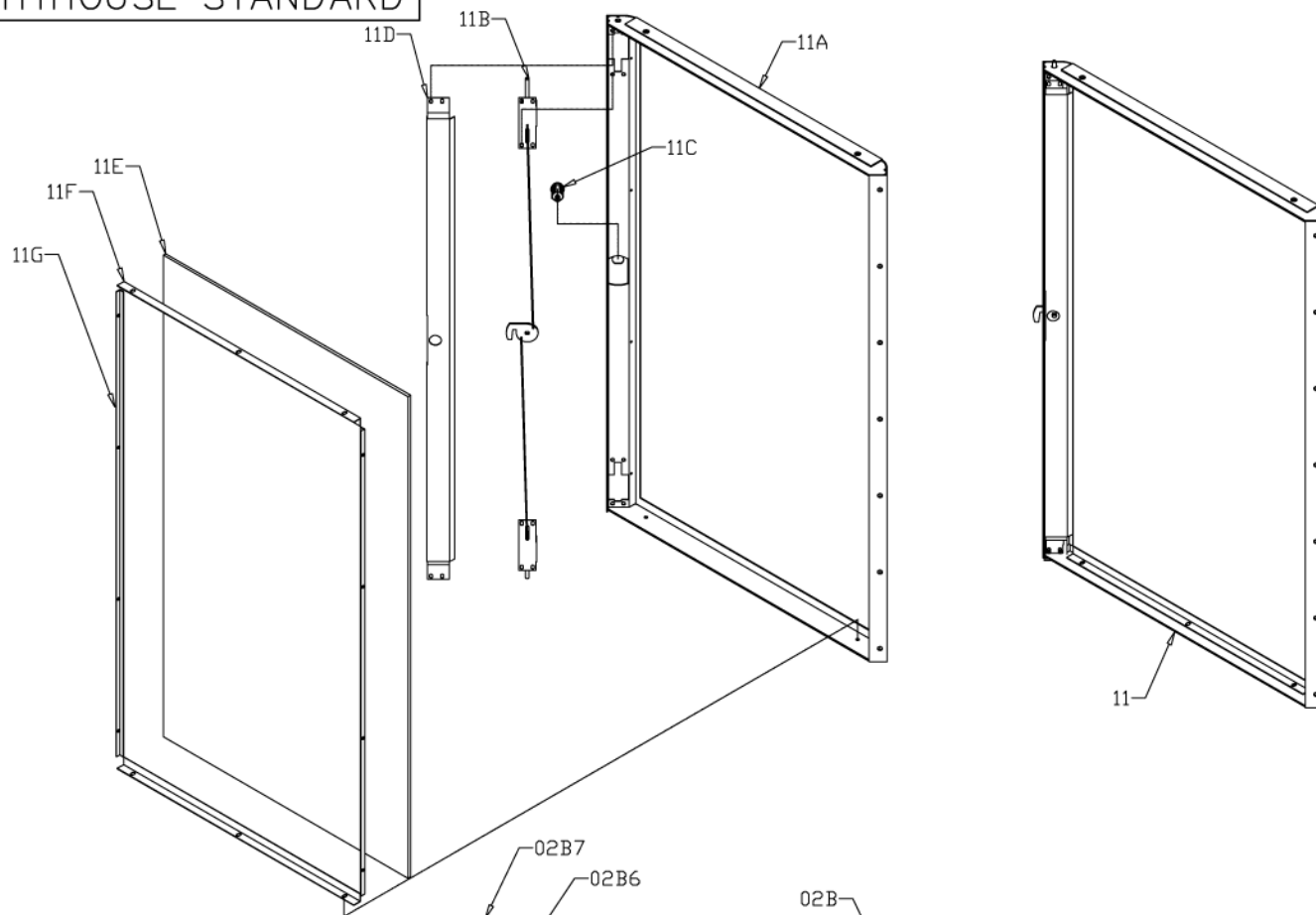


12A. LHG A006A DRIVEN MECHANISM ASSEMBLY



	NO	CODE	DESCRIPTION	QTY
	12	LHG A006	ROLLING DOOR ASSEMBLY	1
PART ITEM	12A	LHG A006A	DRIVEN MECHANISM ASSEMBLY	1
	12A1	LHG-SA-37-RO	DRIVEN MECHANISM BRACKET	1
	12A2	HM2863	BEARING 6200ZZ	1
	12A3	LHG-FM-89-RO	DRIVER SPROCKET	1
	12A4	LHG-FM-81-R1	MOTOR BRACKET SPACER	1
	12A5	LHG-SA-40-RO	GEAR ASSEMBLY	1
	12A6	LHG-FM-38-RO	MOTOR BRACKET	1
	12A7	EA1173	POWER WINDOW MOTOR 74R	1
	12B	EA0406	MICROSWITCH LEVER 51mm WITH BRACKET	2
	12C	BAFB89A	PCB FB89a SENSOR MASTER	2
	12D	LHG A006B	ROLLING DOOR COVER	1
PART ITEM	12D1	LHG A006B1	ALMUNIUM STRIP	1 SET
	12D2	LHG-FM-46-R2	SWITCH KNOCKER ARM	2
	12D3	EA0410	MICROSWITCH LEVER SMALL	2
	12D4	LHG-FM-36-RO	SLIDING PLATE	1
	12D5	HM2958	ROLL DOOR CHAIN	1
	12E	BAFB89B	PCB FB89b SENSOR SLAVE	2
	12F	AT3309	STICKER PRIZE DOOR	1
	-	LHG H005	ROLLING DOOR HARNESS	1

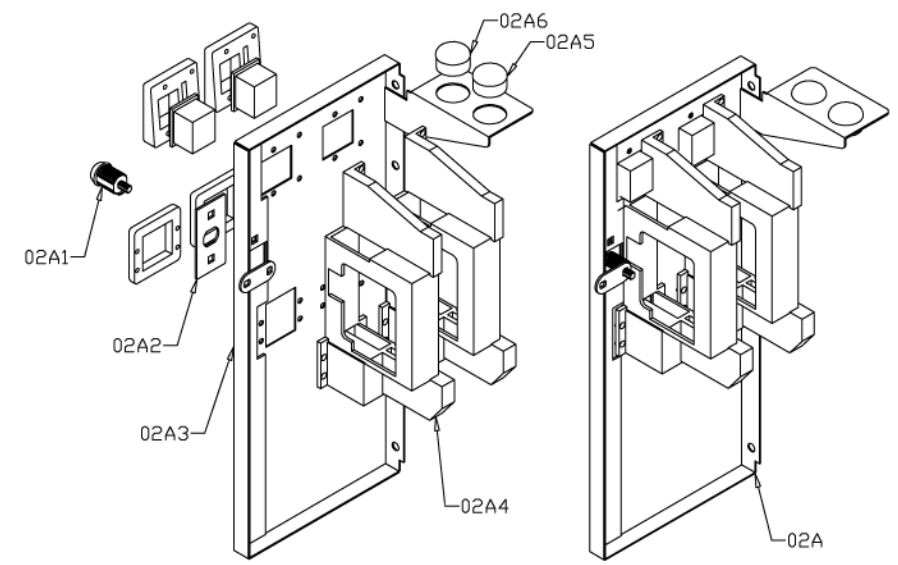
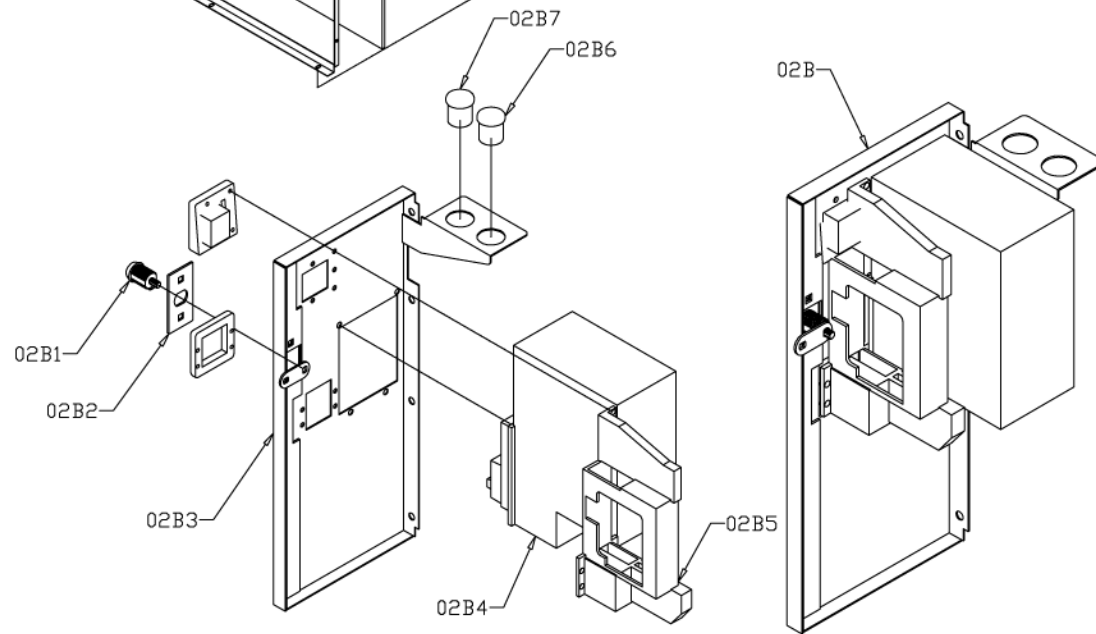
LIGHTHOUSE STANDARD



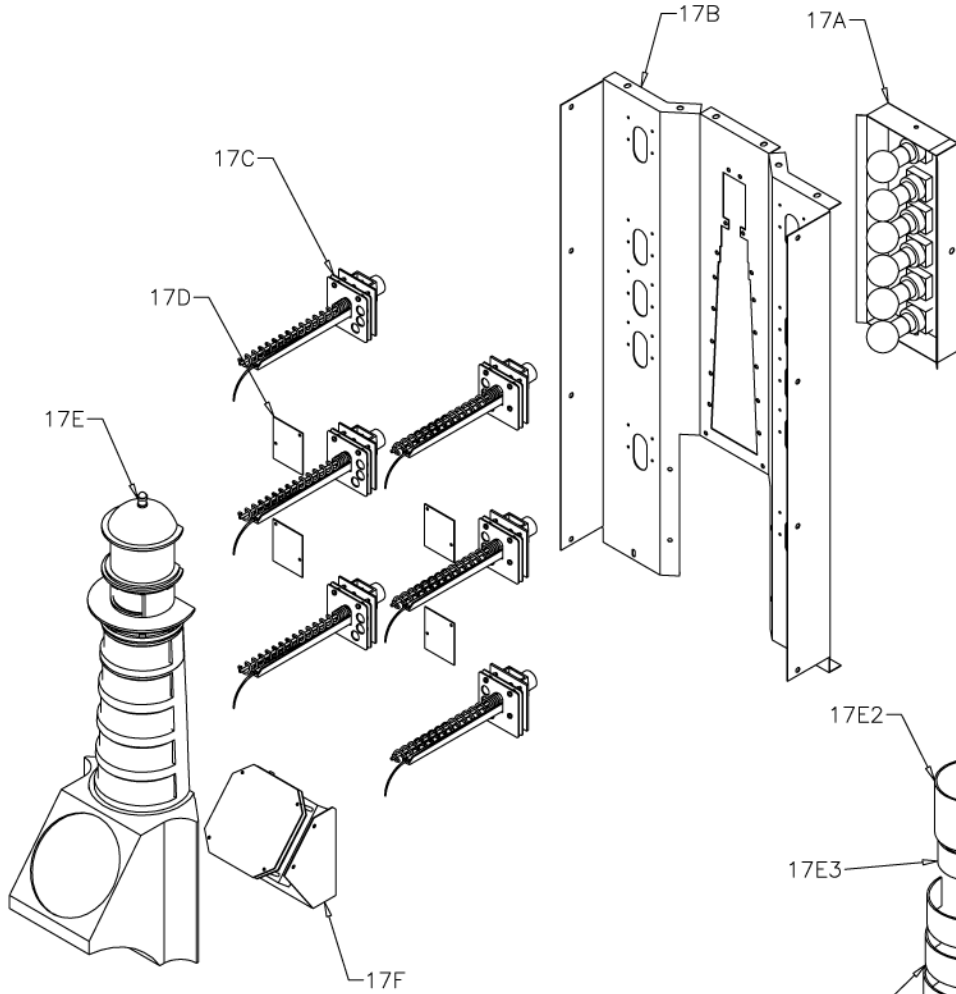
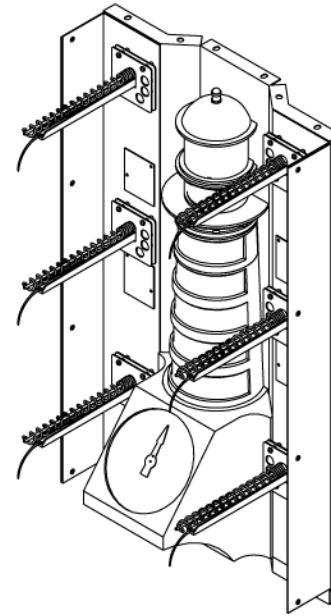
NO	PART NO	DESCRIPTION	QTY	
11	LH1 A001	FRONT DOOR ASSEMBLY	1	
SUB ASSY	11A	LH1-SA-23-R1	DOOR FRAME METAL ONLY	1
	11B	LH1 A001a	TRIPLE LOCK ASSEMBLY	1
	11C	HM0004	LOCK ANGLE	1
	11D	LH1-FM-34-RO	TRIPLE LOCK COVER	1
	11E	HM1916	FRONT GLASS	1
	11F	LH1-FM-16-RO	FRONT GLASS RETAINER	2
	11G	LH1-FM-32-RO	SIDE FRONT GLASS RETAINER	2
-	AT2955	STICKER PLAY INSTRUCTION	1	
PART ITEM	02A	LH1 A002a	COINDOOR DOUBLE SLOT ASSY	1
	02A1	HM0004	LOCK ANGLE	1
	02A2	LH1-FM-53-RO	THANDLE COVER	1
	02A3	LH1-SA-11A-RO	COINDOOR DOUBLE SLOT METAL ONLY	1
	02A4	HA0014	COIN MECHANISM	2
	02A5	EA0520	SWITCH SMALL ROUND GREEN BUTTON	1
	02A6	EA0519	SWITCH SMALL ROUND RED BUTTON	1
-	LH1 H003	COINDOOR DOUBLE SLOT HARNESS	1	
PART ITEM	02B	LH1 A002b	COINDOOR 1 DBA 1 SLOT ASSY	1
	02B1	HM0004	LOCK ANGLE	1
	02B2	LH1-FM-53-RO	THANDLE COVER	1
	02B3	LH1-SA-11B-RO	COIN DOOR DBA METAL ONLY	1
	02B4	-	DOLLAR BILL ACCEPTOR	1
	02B5	HA0014	COIN MECHANISM	1
	02B6	EA0520	SWITCH SMALL ROUND GREEN BUTTON	1
	02B7	EA0519	SWITCH SMALL ROUND RED BUTTON	1
-	LH1 H002	COINDOOR 1 DBA 1 SLOT HARNESS	1	

OPTIONAL SECURITY PARTS

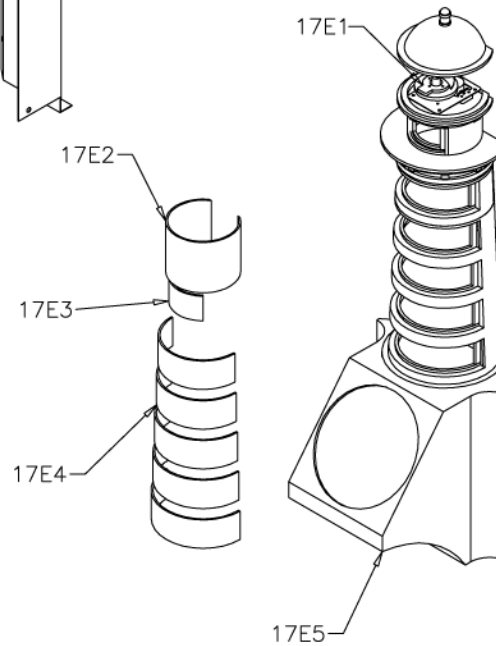
-	LH1-FM-61-RO	COIN DOOR COVER	1
-	LH1-FM-63-RO	DBA COVER	1
-	LH1-FM-46-RO	COVER FRONT DOOR	1
-	LH1-FM-45-R1	SAFETY COVER COIN DOOR	1



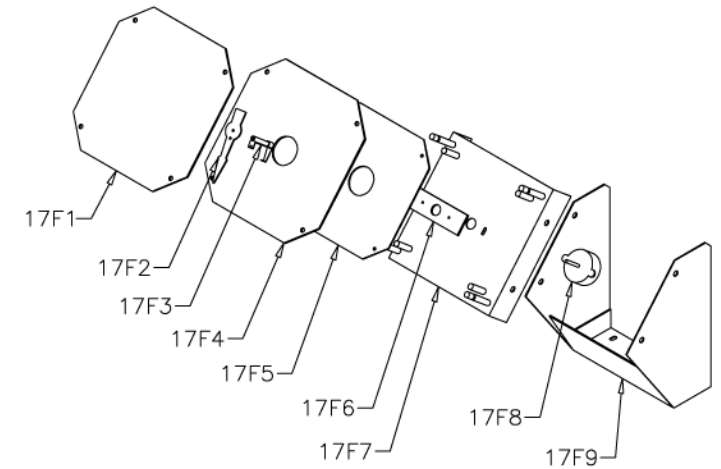
NO	PART NO	DESCRIPTION	QTY	
17	LH1 E003	DISPLAY PANEL ASSEMBLY	1	
PART ITEM	17A	LH1 E003a	PANEL LAMP ASSEMBLY	1
	-	LH1-FM-49-RO	PANEL LAMP BRACKET METAL ONLY	1
	-	EP0435	LAMP FITTING HOLDER E26 UL	6
	-	EA0250	TRAFFIC LAMP E27 40W / 220-250 V	6
	-	EA0251	TRAFFIC LAMP E27-ES 40W/110-130V DEST TO USA	6
17B	LH1-FM-20-RO	PANEL METAL ONLY	1	
17C	LH1 E001	PRIZE ARM LONG ASSY WITH PCB	6	
17D	LH1-FP-009-RO	PRIZE ARM PANEL	4	
17E	LH1 E003b	FIBER GLASS ASSEMBLY	1	
17E1	EA0537	LAMP LTF 8000 REFLECTOR	1	
17E2	LH1-FP-004-RO	ACRILLIC TOP COVER	1	
17E3	LH1-FP-006-RO	ACRILLIC WIN COVER	1	
17E4	LH1-FP-005-RO	ACRILLIC LEVEL COVER	5	
17E5	HM2401	FIBER GLASS MOLDING	1	
17F	LH1 E003c	WHEEL ASSEMBLY	1	
17F1	LH1-FP-012-RO	ACRILLIC WHEEL PANEL COVER	1	
17F2	LH1-FM-71-RO	SPIN WHEEL NEEDLE	1	
17F3	LH1-SA-68-R1	STEPPER MOTOR SHAFT	1	
17F4	LH1-FP-011-RO	ACRILLIC WHEEL LAMP COVER	1	
17F5	BAFB75	PCB FB75 LED WHEEL FOR LIGHTHOUSE	1	
17F6	LH1-FM-69-RO	STEPPER MOTOR ADJUSTER	1	
17F7	LH1-FM-70-RO	STEPPER MOTOR HOLDER	1	
17F8	EA1162	STEPPER MOTOR BY42-4801 60 Ohm 12V	1	
17F9	LH1-FM-57-RO	WHEEL BRACKET METAL ONLY	1	



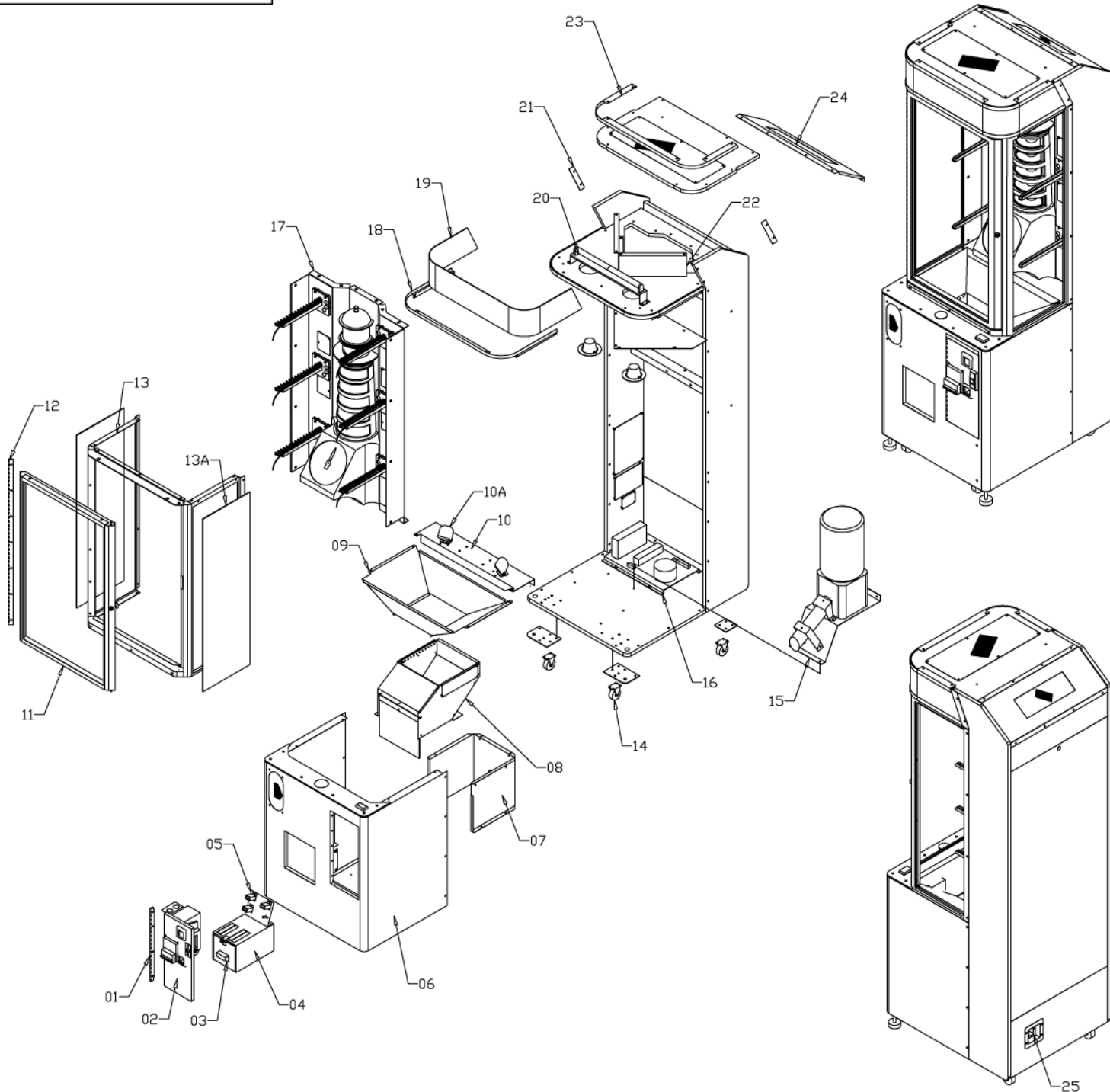
17E. LH1 E003b FIBER GLASS MOULDING



17F. LH1 E003c WHEEL ASSEMBLY

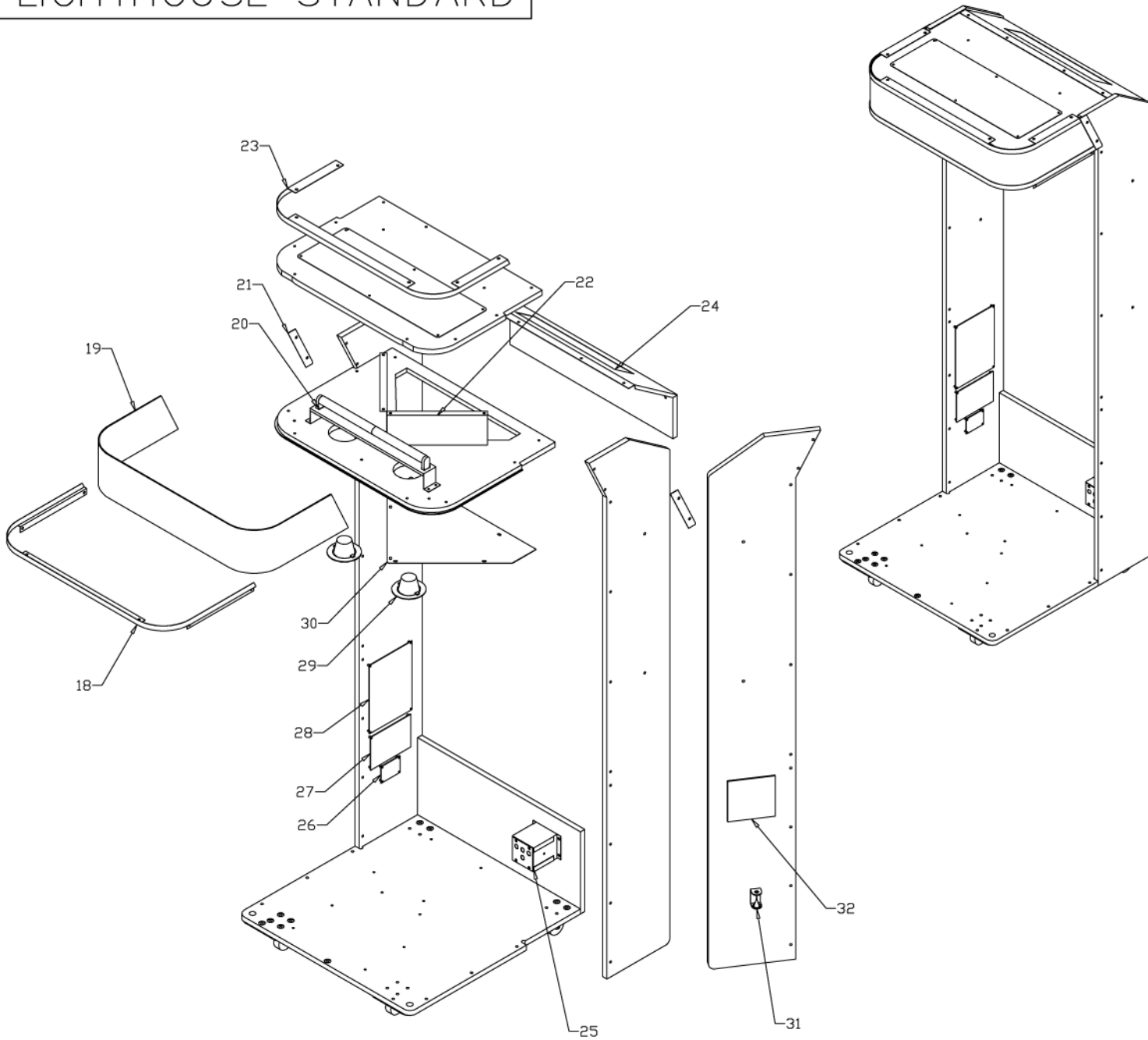


LIGHTHOUSE STANDARD



NO	PART NO	DESCRIPTION	QTY
01	LH1-FM-51-R1	COIN DOOR HINGE	1
02	LH1 A002b	COIN DOOR ASSY 1DBA, 1 SLOT	1
03	LH1-SA-59-RO	CASH BOX	1
04	LH1-SA-60-RO	HOUSING CASHBOX	1
05	LH1 E004	COIN COUNTER PANEL ASSEMBLY	1
	LH1-FM-38-RO	COIN COUNTER BRACKET	1
	EA1252	COIN COUNTER 12V REAR MOUNTING	3
	E00689	POTENSIO CARBON DUAL GANG 50K OHM	1
	EP0602	KNOB VOLUME	1
06	LH1 A003	FRONT PANEL ASSEMBLY	1
	LH1-SA-01-RO	FRONT PANEL METAL ONLY	1
	LH1-FP-06-RO	ACRILLIC CONTROL PANEL	1
	LH1-FM-37-RO	SPEAKER GRILL	1
	EA0556	PUSH BUTTON BLUE	1
	EA0507	SWITCH RECT GREEN BUTTON WITH LAMP	1
	BA2601	PCB51 2cm 4 DIGIT DISPLAY	1
	AT2952	STICKER STK FRONT LOWER CABINET	1
	EA1201	SPEAKER 4" 8 OHM 40 W	2
07	LH1-FM-02-RO	PRIZE RECEIVAL BOX	1
08	LH1 A004	PRIZE BOX ASSEMBLY	1
	LH1 A004a	PRIZE BOX METAL ONLY	1
	BA2602	PCB59a SB PRIZE SENSOR MASTER	1
	BA2603	PCB59b SB PRIZE SENSOR SLAVE	1
	LHC A004b	PRIZE DOOR WITH STICKER	1
09	LH1-SA-09-RO	PRIZE CHUTE ASSEMBLY	1
10	LH1-FM-10-RO	PANEL LOWER RETAINER	1
	10A EA0225	XENON FLASH LAMP MODULES 12VDC	2
11	LH1 A001	FRONT DOOR ASSEMBLY	1
12	LH1-FM-56-RO	FRONT DOOR HINGE	1
13	LH1 A005	SIDE SKIN ASSEMBLY	1
	13A HM1917	SIDE GLASS	2
14	HMO016	CASTOR 2" SWIVEL	4
15	CD A001	CAPSULE DISPENCER ASSEMBLY	1
16	LH1 E002	POWER ASSEMBLY	1
17	LH1 E003	DISPLAY PANEL ASSEMBLY	1
18	LH1-FM-22-RO	MYLAR LOWER BRACKET	1
19	AT2954	ACRILLIC HEADER	1
20	LH1 E006	TOP LIGHT LIGHTHOUSE	1
	EA0205	LAMPU NEON 15W COOL WHITE	1
	EP0434	END CAP HOLDER MODEL 713 HS	2
	LH1-FM-15-RO	TOP UL BRACKET	1
21	LH1-FM-36-RO	MYLAR SIDE RETAINER	2
22	LH1-FM-35-RO	MYLAR DIVIDER	1
23	LH1-FM-21-RO	MYLAR TOP RETAINER	1
24	LH1-SA-19-RO	MYLAR BACK COVER	1
25	LH1 E005	DB BOX ASSEMBLY	1
	LH1 E005a	DB BOX METAL ONLY	1
	EA1356	BINDING POST	1
	EA1358	SPLIT CORE EMI FILTER FOR CE MACHINE	1
	EA0649	IEC TYPE NOISE EMI FILTER	1
	LH1 H005	DB BOX HARNES	1
	EA0635	POWER LEAD MOLDED IEC TO 3 PIN USA	1
	EA0636	POWER LEAD MOLDED IEC TO 2 PIN INDO	1
	EA0637	POWER LEAD MOLDED IEC TO 3 PIN AU	1
	EA0639	POWER LEAD MOLDED IEC TO 3 PIN UK	1
-	LH1 H004	MAIN HARNES	1

LIGHTHOUSE STANDARD



NO	PART NO	DESCRIPTION	QTY
18	LH1-FM-22-RO	MYLAR LOWER BRACKET	1
19	-	ACRILIC HEADER	1
20	LH1 E006	TOP LIGHT LIGHTHOUSE	1
21	LH1-FM-36-RO	MYLAR SIDE RETAINER	2
22	LH1-FM-35-RO	MYLAR DIVIDER	1
23	LH1-FM-21-RO	MYLAR TOP RETAINER	1
24	LH1-SA-19-RO	MYLAR BACK COVER	1
25	LH1 E005	DB BOX ASSEMBLY	1
26	BA0029	PCBFB29 STEREO AUDIOAMPLIFIER	1
27	BAFB52C	PCB FB52C 16 MHz Z80	1
28	BAFB66A	PCB FB66A MPU CONTROLER	1
29	HA0001 ST	DOWNLIGHT ASSEMBLY	1
	EA0312	HOLDER DOWNLIGHT SWIVEL ACTION	1
	EA0209	DOWN LIGHT 12 V 20 W	1
30	LH1-FM-14-RO	DOWN LIGHT GRILL	1
31	EA0516	SWITCH TILT ASSEMBLY	1
32	BAFB78	PCB FB78 8 CHANEL AC DRIVER	1