

LANE MASTER



Be Sure
to Read this
Manual
Before Use

Operation Manual




www.universal-space.com

For parts and service



Have Questions? Contact us!

 International Support Center	North America Service Support Center
Tel: +1-905-477-2823 Fax: +1-905-477-2660 Email: service@universal-space.com	Tel: 972-241-4263 Fax: 214-919-4918 Email: service@unisusasupportcenter.com

CONTENT

IMPORTANT SAFETY INSTRUCTIONS.....	3
1. SPECIFICATIONS	5
2. PACKAGE CONTENTS.....	7
3. PART NAME	8
4. SET UP & INSTALLATION.....	9
5. HOW TO PLAY	20
6. GAME OPTION	21
7. TROUBLE SHOOTINGS AND RECOVERY.....	25
8. MAINTENANCE & INSPECTION	29
9. OVERALL CONSTRUCTION	35
WIRING DIAGRAM.....	62

Non-technical personnel who do not have technical knowledge and Expertise should refrain from performing such work that this manual require or perform tasks which are not explained in this manual. Failing to comply can cause severe accidents such as electric shock or other serious injuries. All repairs must be performed to original manufacturer specifications.

WARNING: To reduce the risk of fire, electric shock or personal injury, unplug or disconnect the machine from the power supply before servicing.

Thank you for purchasing **Lane Master**. We hope you enjoy the product.

This manual contains valuable information about how to operate and maintain your game machine properly and safely. It is intended for the owner and/or personnel in charge of product operation. Carefully read and understand the instructions.

If you need any help during installation and setup please utilize this manual and troubleshooting guide. If the product fails to function properly, *non-technical personnel should under no circumstance attempt to service the machine*. Contact your distributor or manufacturer for help.

Before use, please read **IMPORTANT SAFETY INSTRUCTIONS**.

IMPORTANT SAFETY INSTRUCTIONS

To ensure the safe usage of this product, carefully read and understand these instructions before operating your game.

Save these instructions for future reference.

Use this product only as described in this manual. Other uses not recommended may cause fire, electric shock or personal injury. Unplug the game from the outlet when not in use, when moving from one location to another, and before cleaning/servicing.

Explanations which require special attention are indicated by signs of warning. Depending on the potential hazardous degree, the terms: **NOTE**, **NOTICE**, and **WARNING** are used.

NOTE: A NOTE indicates useful hints or information about product usage.

NOTICE: A NOTICE indicates potential damage to product and how to avoid the problem.

WARNING: A WARNING indicates a potential for product damage or serious personal injury.

It is important to understand the meaning of the following HAZARD SIGNS before continuing:

High Voltage and Shock Hazard:

High voltage can cause electric shock.
Turn off/unplug power before servicing.



High Temperature Hazard:

This part may cause scalding.
Do not touch. Surface may be hot.



No Touching Hazard:

This part may be hot or can cause electric shock.
Do not touch.



Use the following safety guidelines to help ensure your own personal safety and to help protect your equipment and surrounding environment from potential damage.



This product is an indoor game machine. Do not install outdoors.

Avoid installing in the following places to prevent fire, electric shock, injury and/or machine malfunctioning:

- Places subject to rain/moisture, or places subject to high humidity.
- Places subject to direct sunlight, or places subject to extremely hot or cold temperatures to ensure that it is used within the specified operating range.
- Places where inflammable gas may be present or in the vicinity of highly inflammable/volatile chemicals or items that can easily catch fire
- On unstable or sloped surfaces. The machine may topple or cause unforeseen accidents.
- Vicinity of fire exits, fire extinguishers etc that may block/prevent safety measures

IMPORTANT NOTE:

ALL REPAIRS MUST BE DONE TO ORIGINAL MANUFACTURER SPECIFICATIONS. FAILURE TO DO SO VOID ALL WARRANTIES AND OPERATOR ASSUMES ALL RISKS.

Note: The contents of this manual may be updated without notice.

1. SPECIFICATIONS

Rated power supply: AC110V 50/60Hz; AC220V 50/60Hz

Min. Power consumption: 520W

Max. Power consumption: 580W

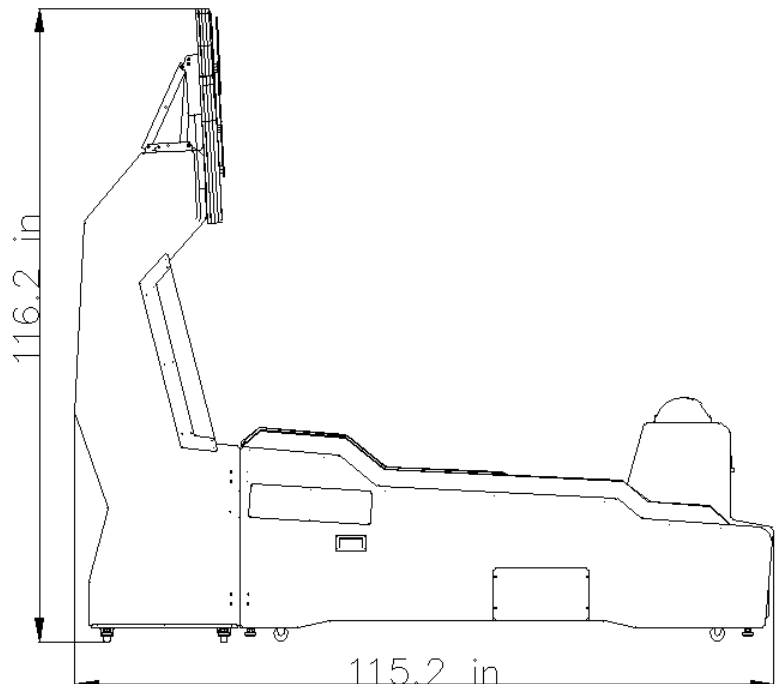
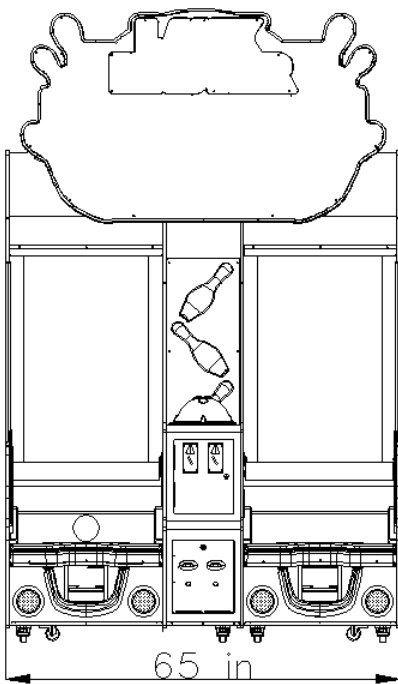
Dimension: W65×D115.2×H116.2 in

Weight: Approximately 1150 lb

Part No: L105

Model No: C-489

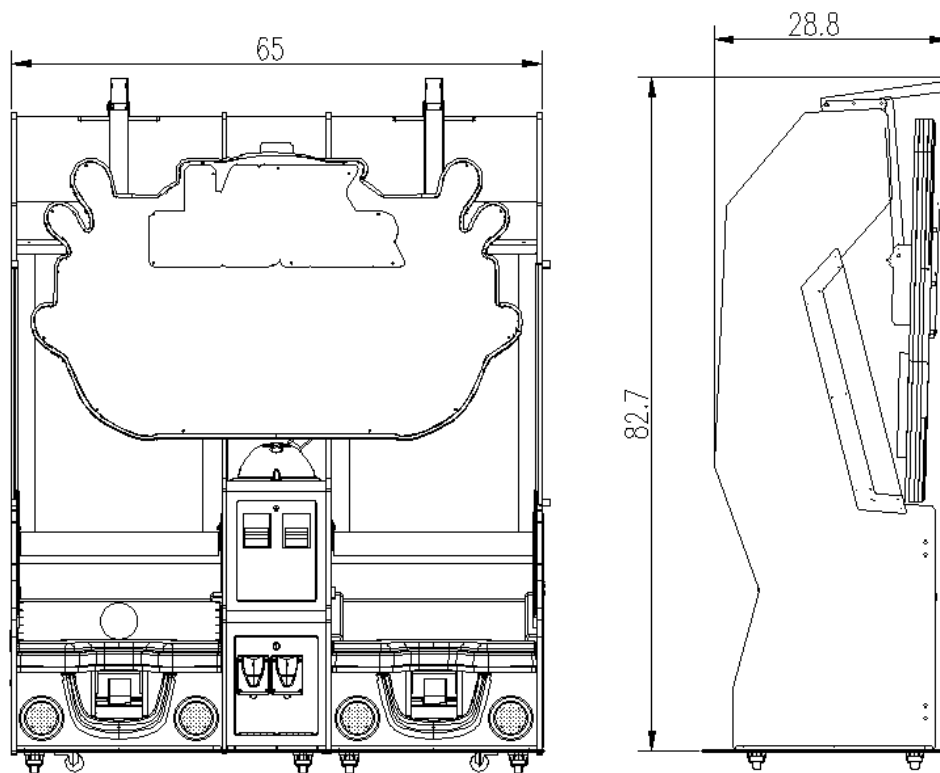
! **NOTICE:** After turning off the game, please wait at least 1 minute before restarting again.



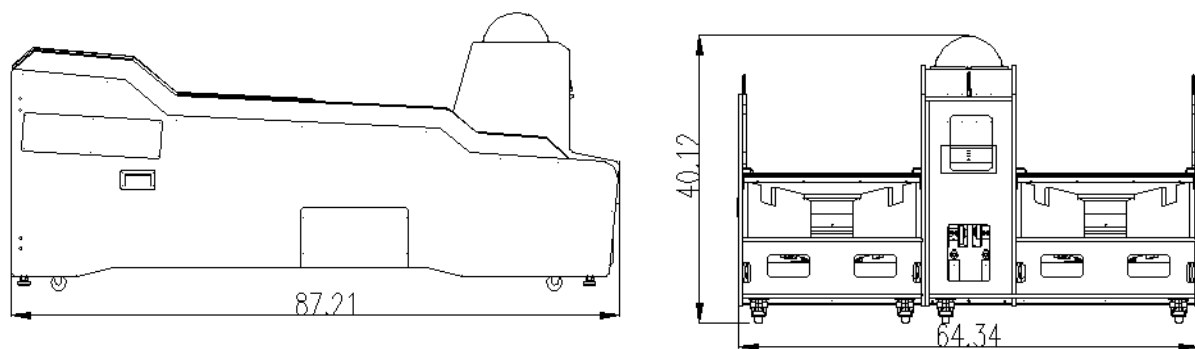
Note: Game parameters are subject to change without notice.

This machine will be divided into two parts during transportation.

Back Cabinet: W65×D28.8×H82.7 in



Ally part: W64.34×D87.21×H40.12 in



Note: Game parameters are subject to change without notice.

2. PACKAGE CONTENTS

Open the package and make sure all the items are included:

1. Following accessories

No.	Part No.	Code	Name	Qty	Picture
1	L105-801-000	25300171002	Key (171)	6	
2	L105-803-000	25300172002	Key (171B)	1	
3	L105-802-000	23301010020	Power cord	1	
4	L105-529-000	21901000013	Fuse (Φ5×20mm T10A)	1	
5	L105-804-000	41440000173	Manual	1	
6	L105-805-000	20611605027	Bowling ball	4	
7	L105-806-000	20211605A002	Blank door	1	
8	L105-525-000	21503000053	Sensor SW(receive)	2	Please refer to P20 Disassemble the lane sensor
9	L105-526-000	21503000052	Sensor SW(send)	2	

*For bowling ball, it is suggested to take 2 for each lane.

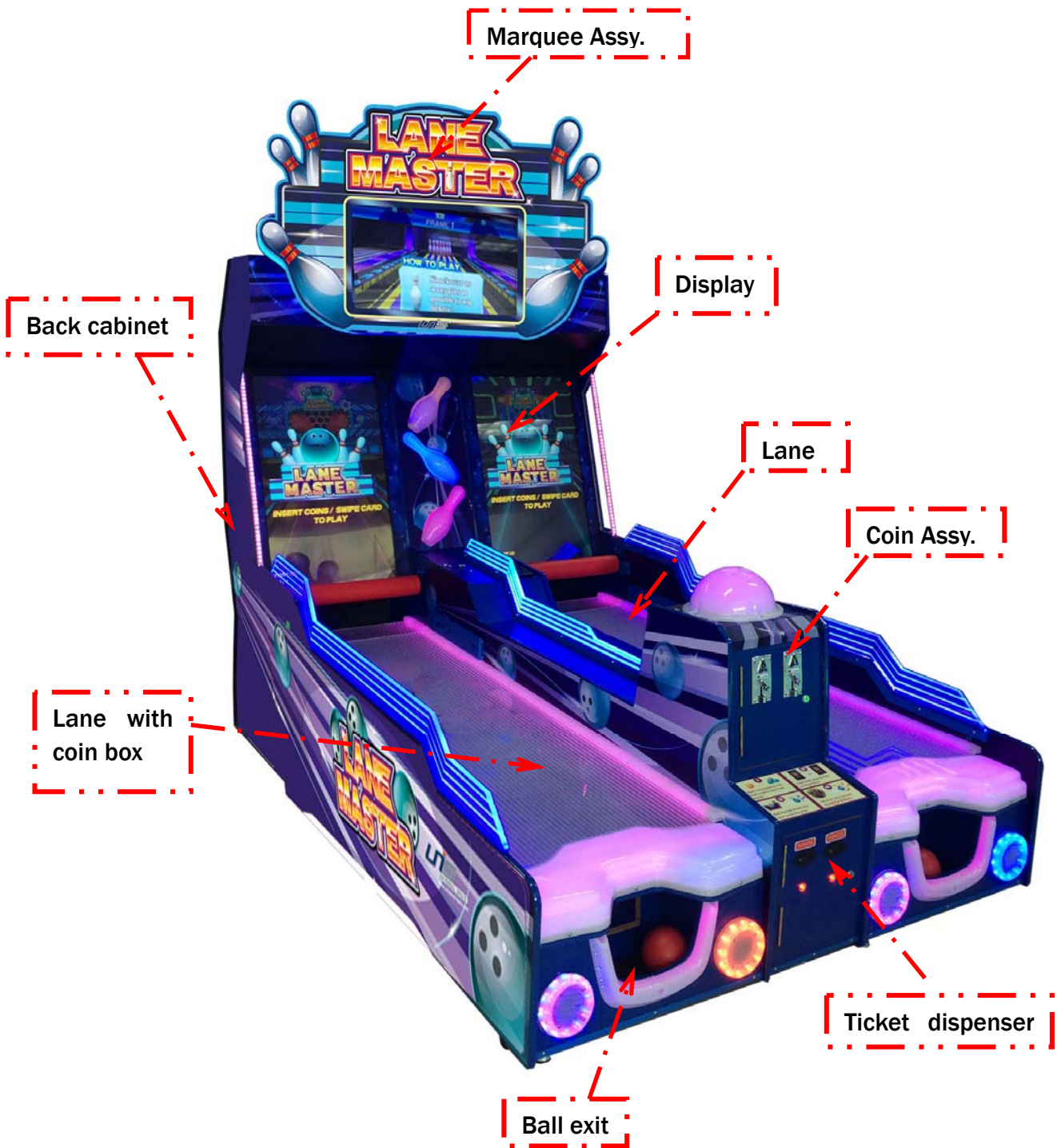
NOTE: Part models are subject to change without notice.

2. Optional Parts

Please refer to chapter 4.4.5 for cashier box installation.

No.	Part No.	Code	Name	Qty	Picture
1	L105-320-000	20211605A001	Cashier door	1	
2	L105-809-000	20211605A003	Cashier cabinet (With lock)	1	
3	L105-810-000	20211605A004	Door S cover	2	
4	L105-504-000	25300171001	171A lock	2	
5	L105-141-000	20104020002	Cross recessed hexagon screw kit	4	
6	L105-811-000	20511605A025	Cashier door decal	1	
7	L105-812-000	20511605A026	Cashier L decal	1	
8	L105-813-000	20511605A027	Cashier R decal	1	

3. PART NAME



4. SET UP & INSTALLATION

! NOTICE

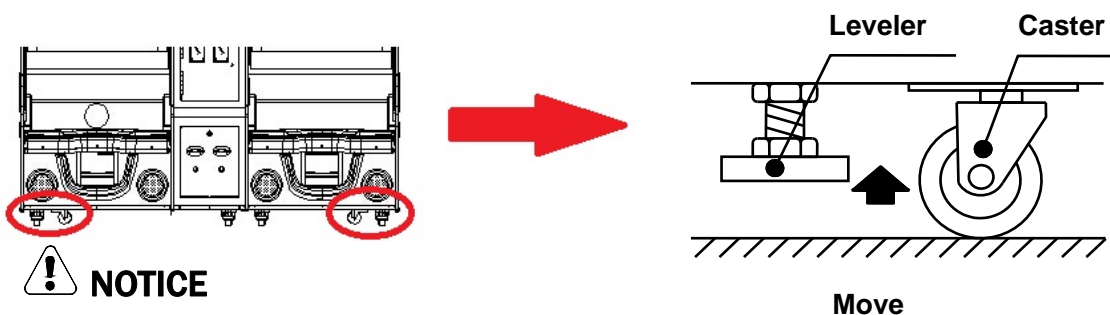
We do not recommend using power tools as they may cause damage.

! **This product is an indoor game machine. Do not install outdoors.**

- Refer to IMPORTANT SAFETY INSTRUCTIONS (Pg. 3) for places to avoid
- Place the unit on a dry level surface
- Ventilation openings in the back of the unit must not be obstructed by objects or by wall.

4.1 Transporting the Game

If you need to move the game, adjust the levelers back to an “up” position.

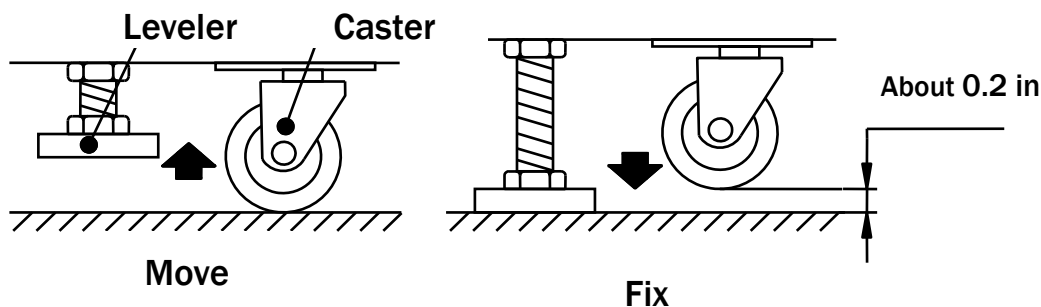


! NOTICE

- Be careful not to damage the machine during transport.
- Always unplug the game before moving.
- Keep the machine in upright position during transport.
- For longer distance transport, package the game properly to prevent damages.

4.2 Level Adjustment

Install this machine on a flat surface. Adjust levers to lift casters off the ground to level the game. If the game is installed on an unsuitable floor, it could cause game malfunction. To secure the game, adjust the Leveler down until it touches the floor, lifting the casters off the ground by 0.2 in. Repeat the same for all levelers.



! NOTICE

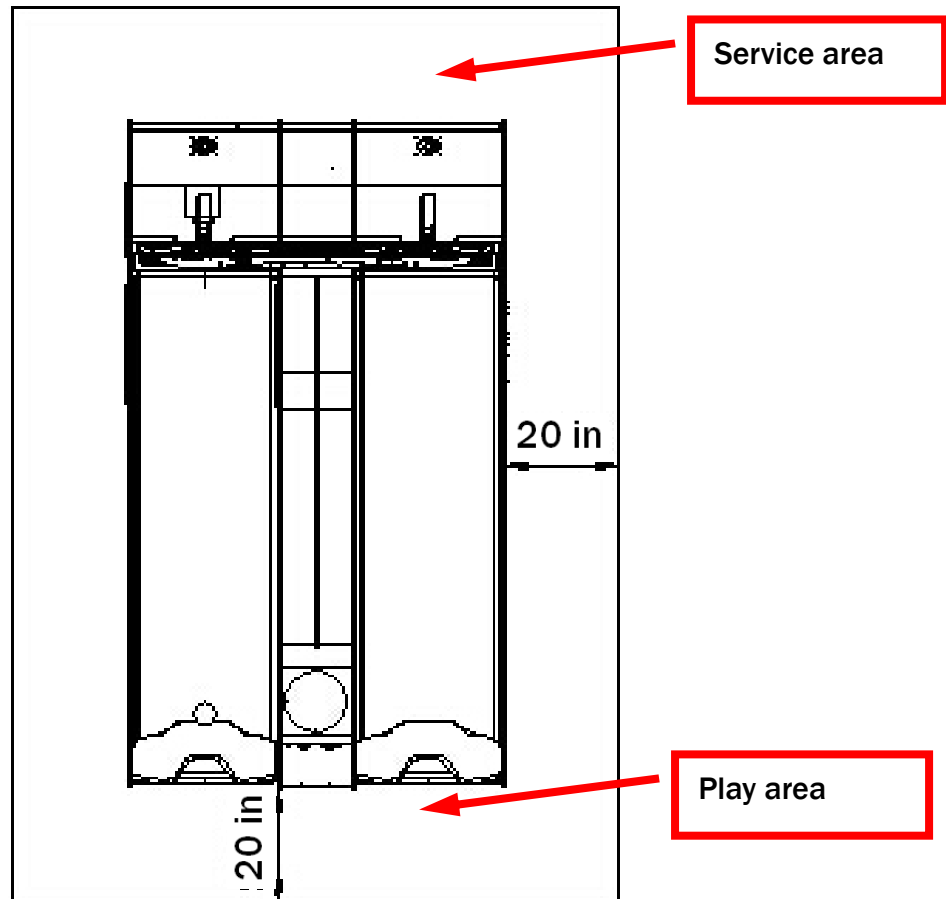
Make sure the machine is level.

4.3 Play Zone

This machine requires space for playing and for maintenance as shown below.

Leave space around the game upon installation:

Service area: 20 in






NOTICE

Your unit must be leveled to operate properly. Please assure that the cabinet levelers are in place and assure that the main cabinet and alleys are leveled. This will prevent the ball jamming.

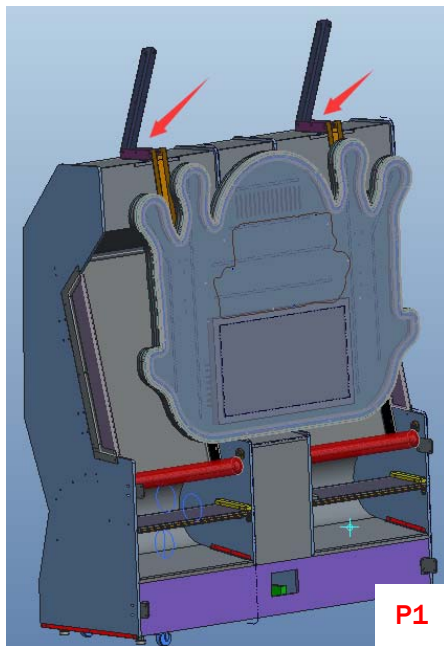
4.4 Machine Installation

Before processing with assembly assure you have the following tools.

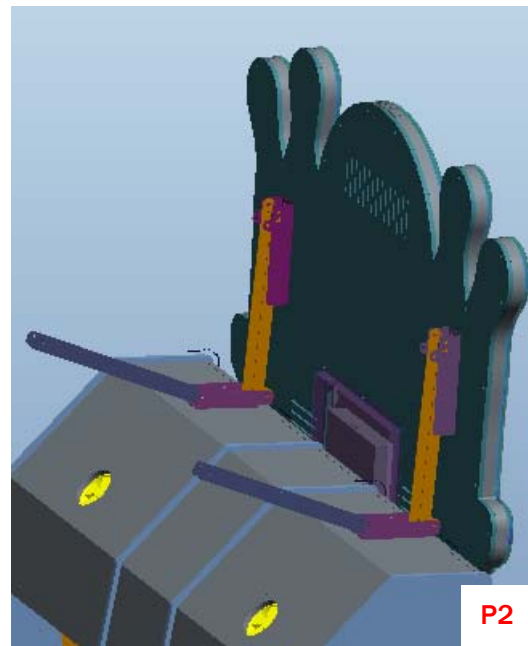
No.	Name	Picture	Use for
1	Electric cross screwdriver		For Marquee Installation & Connect Lane Assembly
2	Wrench		
3	Allen hexagon wrenches		Connect Lane Assembly & Display Assembly

4.4.1 Marquee Installation


Step 1 Place the marquee on the display frame as shown and install hardware where indicated by the red arrows.

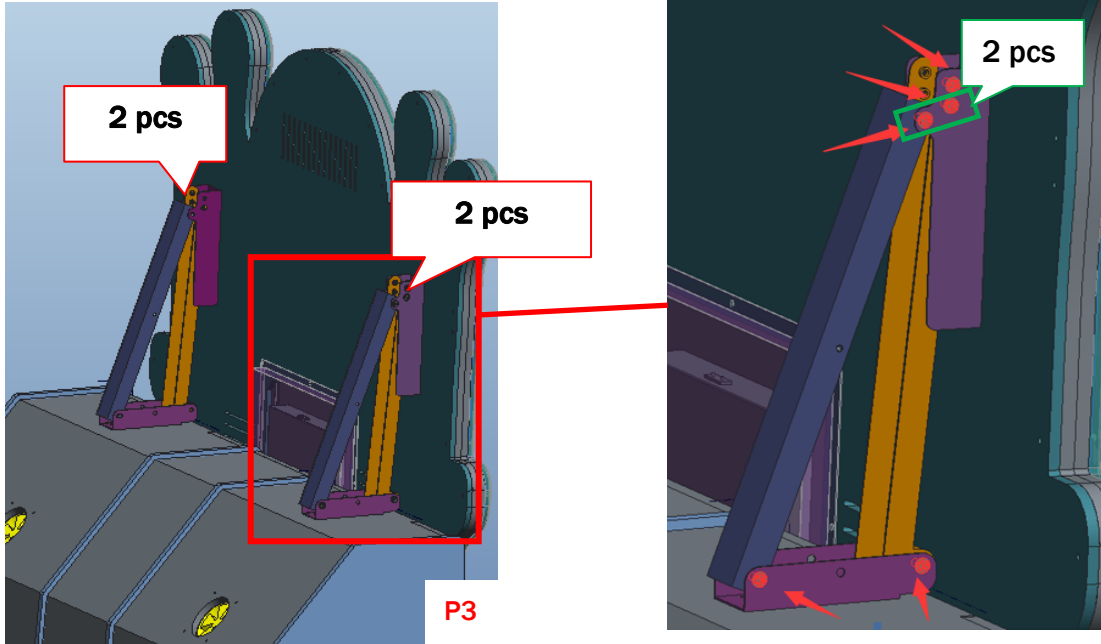


Step 2 Lift up the marquee above the display frame. **Note: It is recommended to have the minimum of two staff members available for this installation.**




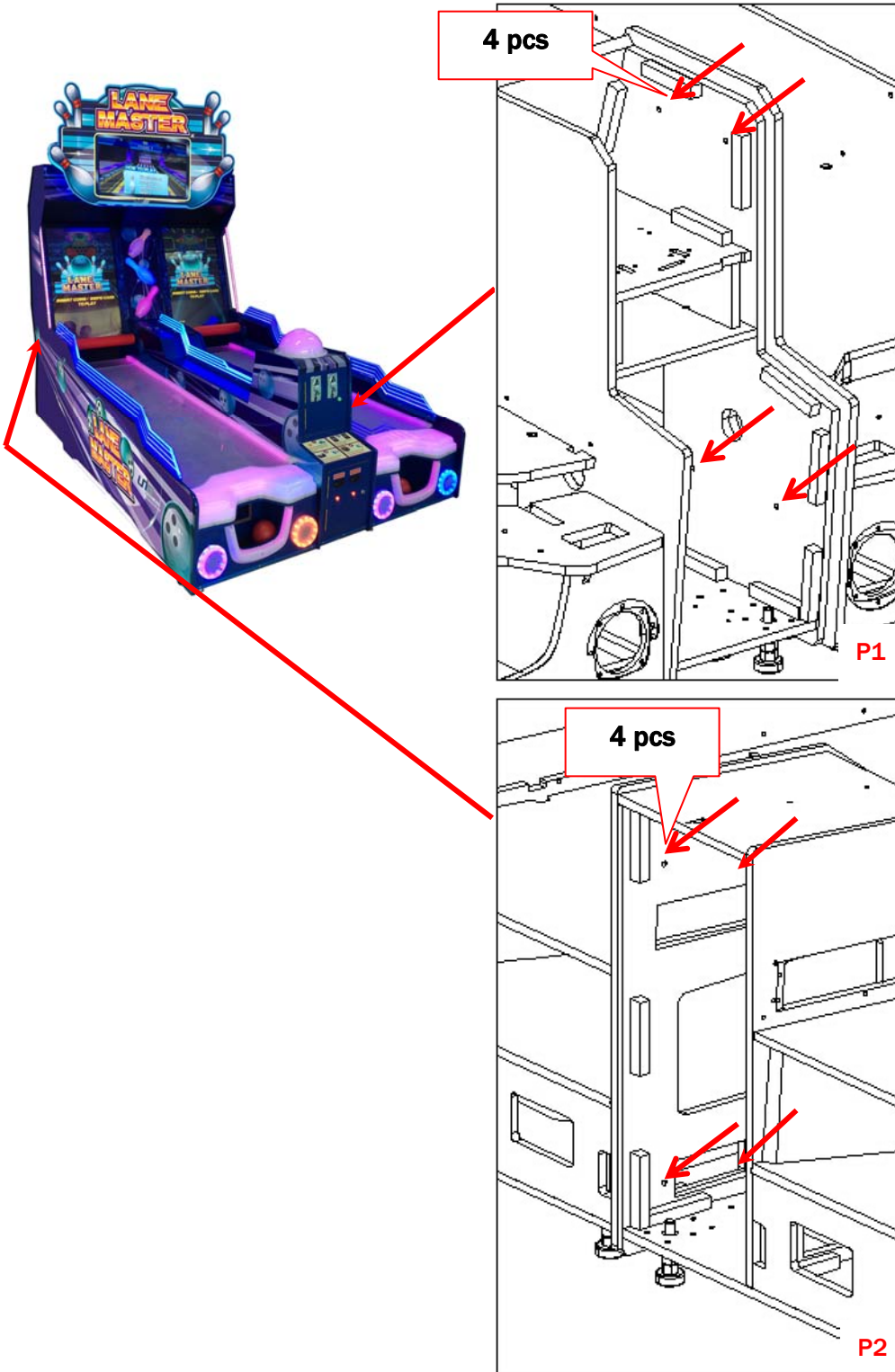
Step 3 Install the bolts as indicated in the green area.

No.	Part No.	Code No.	Name	Picture	Qty
1	L105-139-000	20104000002	Cross recessed hexagon screw		4



4.4.2 Connect Lane Assembly



No.	Part No.	Code No.	Name	Picture	Qty
1	L105-142-000	20104023002	Cross recessed hexagon screw		8



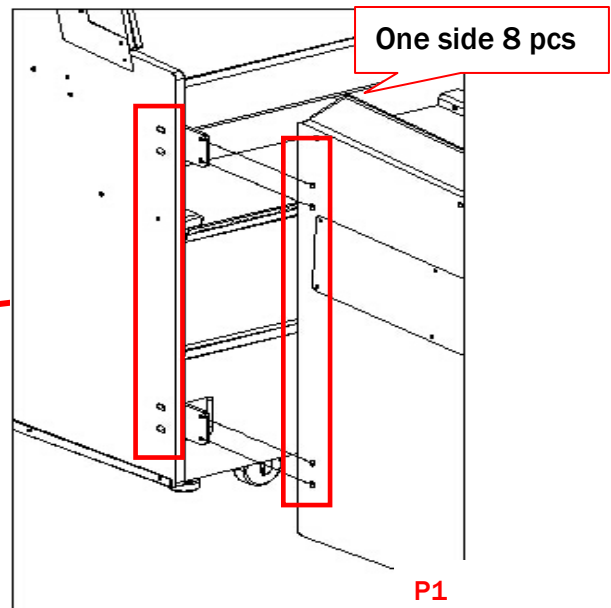
Step 1
Open the coin door and the ticket door to attach the screws in the red arrow area.

Step 2
Open the back plate and attach the screws in the red arrow area.

4.4.3 Connect Lane Assembly & Display Assembly

No.	Part No.	Code No.	Name	Picture	Qty
1	L105-125-000	20101048028	Hexagon flat round head screws		16
2	L105-144-000	20113040051	C flat washer		16

Place the Lane in front of the display assembly and install as shown.

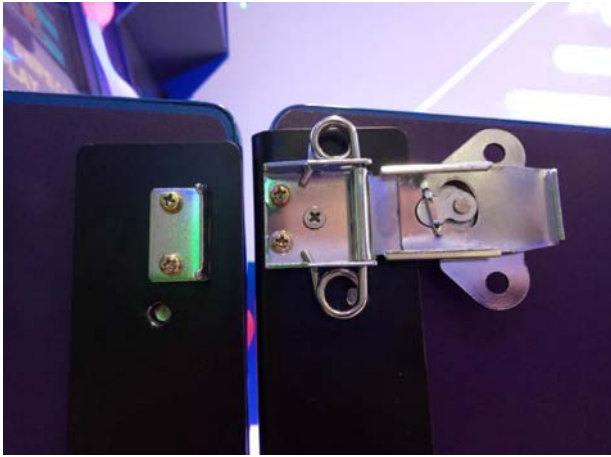


Connect the Lane Assembly and Display Assembly with screws and washers.

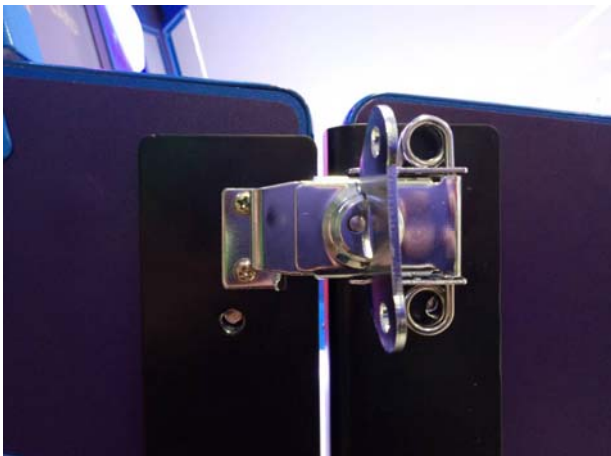
For Cabinet connection, there are two versions, please refer to your machine to find the version you need.

4.4.4 Connect Lane Assembly & Display Assembly (updated version)

Place the Lane in front of the display assembly and install as shown.



Step 1 Fold the right buckle to the left side.



Step 2 Turn the handle clock wise to lock the latch. (Counter-clockwise to unlock the latch.)



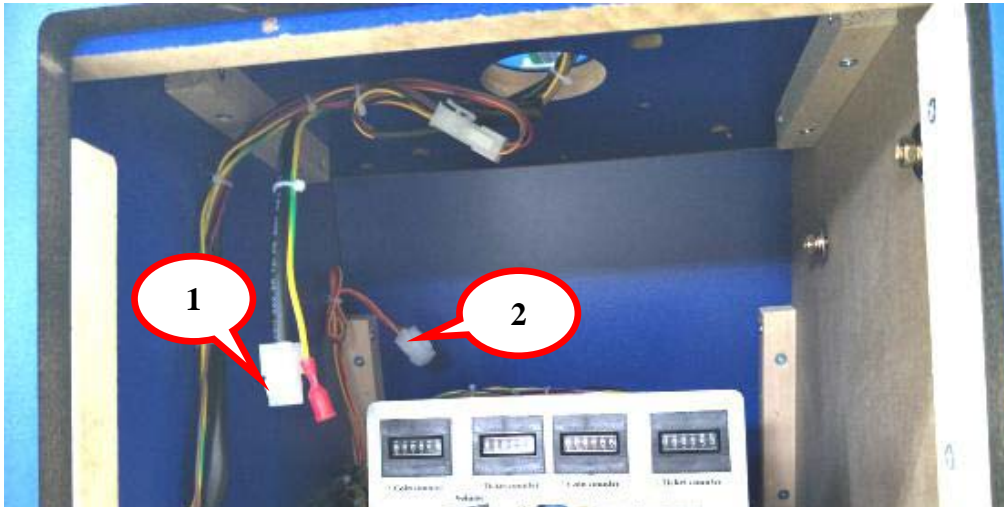
Step 3 Fold the handle after locking the latch.



4.4.5 Disassemble the bowling light and Install the Cashier assy.

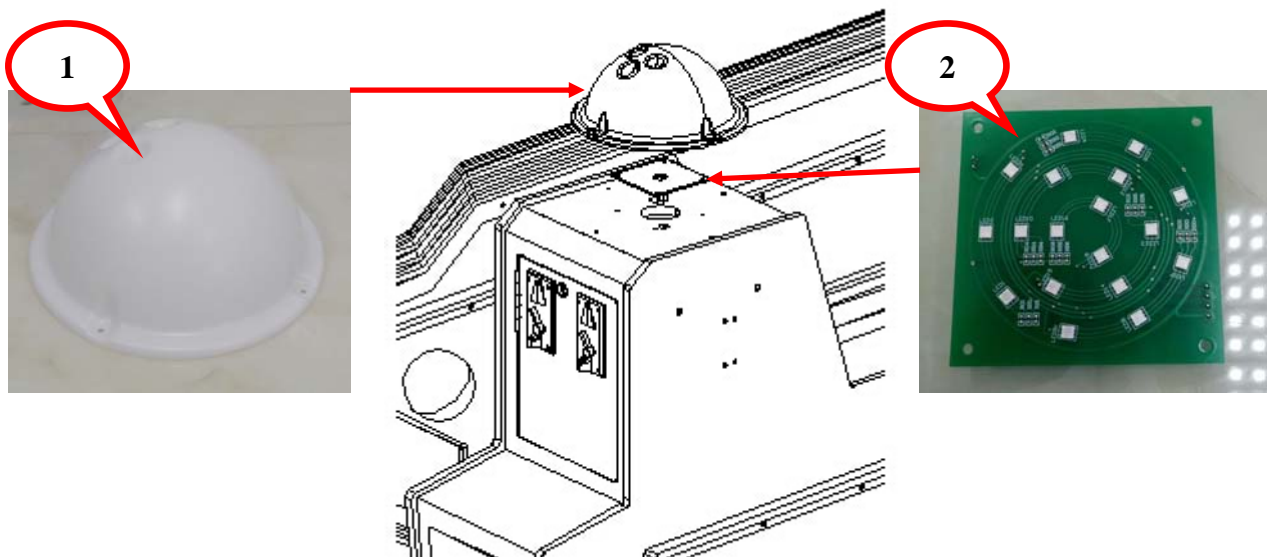
Step 1 Open the coin door and unplug two plugs.

(1-Coin mech. plug; 2-Bowling light plug)




Step 2 Disassemble the bowling light white plastic and light PCB

(1- Bowling light white plastic; 2- Light PCB)



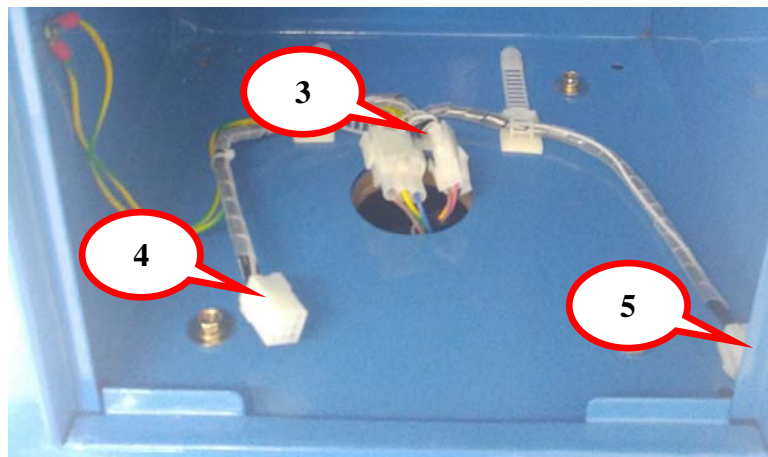
Step 3 Install the cashier cabinet.

No.	Part No.	Code No.	Name	Picture	Qty
1	L105-141-000	20104020002	Cross recessed hexagon screw kit		4



Step 4 Connect the plugs.

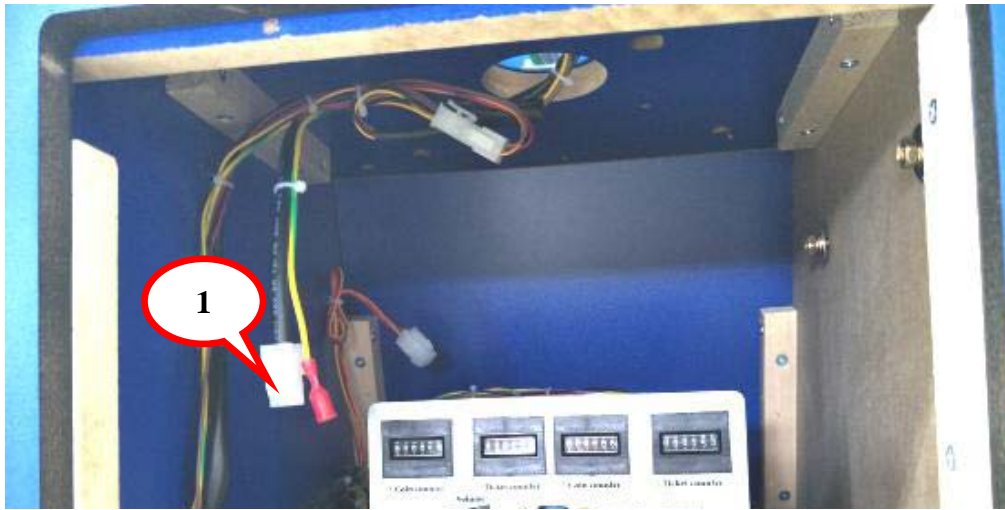
(3- Cashier plugs; 4- 1P cashier plug; 5- 2P cashier plug)



Step 5 Install the cashier door and your cashiers.



Step 6 Connect the coin mech. plug.



Step 7 Use the key to lock the coin door.



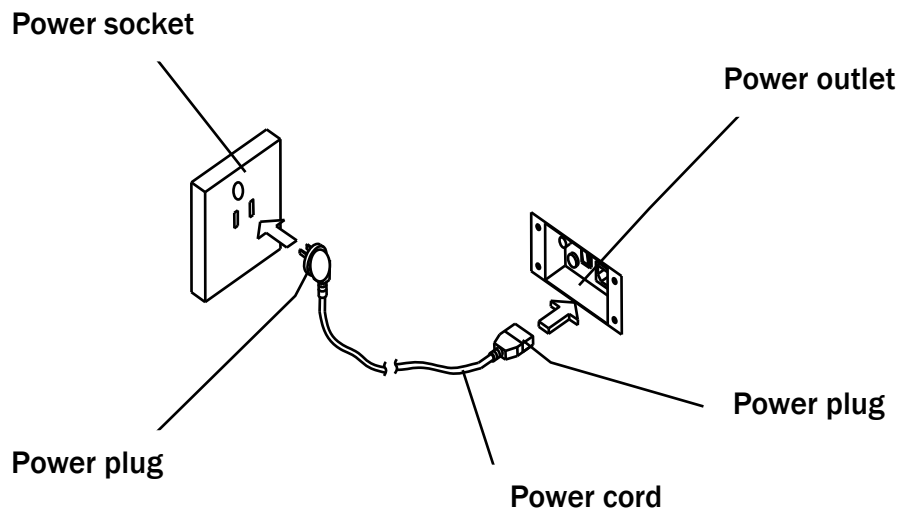
Finish!



4.5 Connecting Power

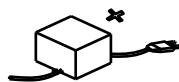
! **WARNING:** Check the voltage rating before you connect the equipment to an electrical outlet to ensure that the required voltage and frequency match the available power source. Please refer the label of the machine.

- Do not plug the equipment power cables into an electrical outlet if the power cable is damaged.
- Avoid overloading on one electrical outlet as it could generate heat and fire resulting from overload.
- Connect the grounding conductor to the earth terminal (GND):

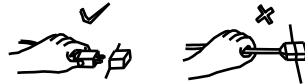


! **WARNING**

Ensure no heavy objects rest on the power cord. Check to make sure the game cabinet does not sit on the power cord as this could damage the cord and become hazardous.



To disconnect the game, grip the plug and pull it from the wall outlet. Never pull by the cord.



To prevent electric shock, do not touch the power plug if your hand is wet.



Ensure the power cord is not located where it can be stepped on or tripped over.



5. HOW TO PLAY

5.1 Insert coins/swipe to start..

5.2 For competition, insert coin/swipe card to activate each lane.

5.3 Roll the ball down the lane to hit the pins.

5.4 Hit the Turkey to win the MEGA BONUS!

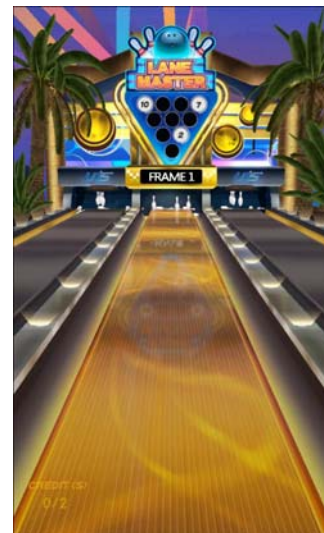
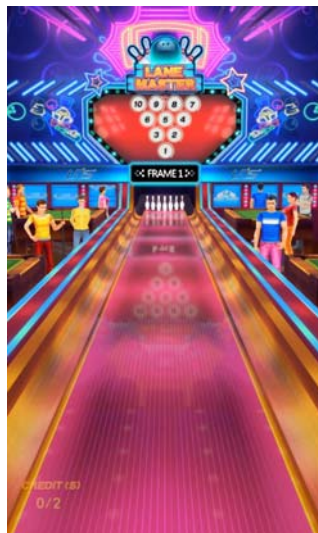
1
coin = 
Insert coins/swipe card to start.

2
 VS 
For competition, insert coin/swipe card to activate each lane.

3
 
Roll the ball down the lane to hit the pins.

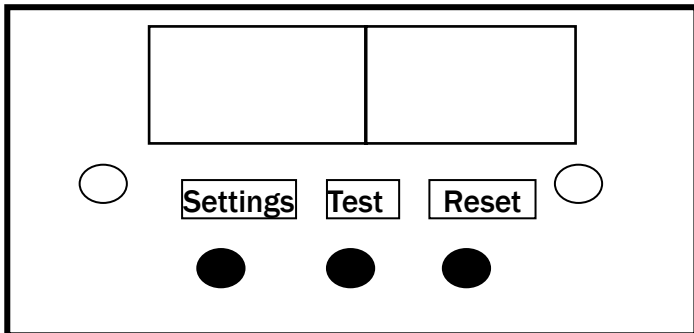
4
 
Enjoy your bowling experience!

5.5 Game scene



6. GAME OPTION

6.1 Adjustment button instruction



Open the coin door and there is a meter panel. Press test button to get into the setting menu.

6.2 Setting menu

6.2.1 Main menu

Basic Setting
Customized Setting
Input Test
Output Test
Game Reset
Date/Time Setting
Language/语言
About This Game
Bookkeeping
Daily Record
Back to game

6.2.2 Basic Setting

Free Play	OFF/ON
Tickets Out	OFF/ON
Demo Music	OFF/ON
Memory Save	OFF/ON
Volume	1-10
Coins Per Game	1-10
Go Back & Save	
Back	

6.2.3 Customized Setting

Regulation Mode	OFF/ON
Link Mode	OFF/ON
Alternating Ball Color	OFF/ON
Number of Games	Frame 1- 10
Divided By 2	OFF/ON
Fixed Ticket Mode	OFF/ON
Fixed Ticket(s) Set	0~300
Score per Ticket	1-300
Multiplayer Join Time	5-10-15-20
Number Of Strike(s) To Activate Golden Pin Stage	1-3
Golden Pin Stage	OFF_ON

Golden Pins Set	10~100
Each Golden pin Score	1-10
Go Back & Save	
Back	

6.2.4 Input Test

Service Button	OFF/ON
Reset Button	OFF/ON
1P Coin	OFF/ON
1P Lane Sensor	OFF/ON
1P Ball Detect	OFF/ON
1P Ball Signal	OFF/ON
1P Ball Location	0/100
1P Ball Speed	0/100
1P Ball Direction	0/180
Detection Time for 1P Ball to Pass Sensor1	0
Detection Time for 1P Ball to Pass Sensor2	0
Detection Time for 1P Ball to Pass Sensor3	0
Detection Time for 1P Ball to Pass Sensor4	0
Detection Time for 1P Ball to Pass Sensor5	0
1P Infrared1	OFF/ON
1P Infrared2	OFF/ON
1P Infrared3	OFF/ON
1P Infrared4	OFF/ON
1P Infrared5	OFF/ON
1P Ticket Error	OFF/ON
1P Send Ball Error	OFF/ON
2P Coin	OFF/ON
2P Lane Sensor	OFF/ON
2P Ball Detect	OFF/ON
2P Ball Signal	OFF/ON
2P Ball Location	0-100
2P Ball Speed	0-100
2P Ball Direction	0-180
Detection Time for 2P Ball to Pass Sensor1	0
Detection Time for 2P Ball to Pass Sensor2	0
Detection Time for 2P Ball to Pass Sensor3	0
Detection Time for 2P Ball to Pass Sensor4	0
Detection Time for 2P Ball to Pass Sensor5	0

2P Infrared1	OFF/ON
2P Infrared2	OFF/ON
2P Infrared3	OFF/ON
2P Infrared4	OFF/ON
2P Infrared5	OFF/ON
2P Ticket Error	OFF/ON
2P Send Ball Error	OFF/ON
Back	

6.2.5 Output Test

1P Ball Release Test
2P Ball Release Test
1P Ticket Test
2P Ticket Test
Back

6.2.6 Game Reset

Factory Restore	YES/NO
Reset Basic Setting	YES/NO
Reset Customized Setting	YES/NO
Clear All Records	YES/NO
Clear Owed Ticket	YES/NO
Clear Unused Coin	YES/NO
Back	

6.2.7 Date/Time Setting

Year	2010-2100
Month	1-12
Day	1-31
Hour(24)	0-23
Minute	0-59
Second	0-59
Go Back & Save	
Back	

6.2.9 Bookkeeping

Player1	Coins	Tickets	Payout
1	0	0	0.00
Back			

6.2.8 About This Game

Press the Test Button to Go Back
CPU
Motherboard
Disk Drive
Memory
Display Adapter
Monitor
Screen
Version: Lane Master V1.07

6.2.10 Daily Record

Date	Weekday	RunTime	Coins	Tickets	Payout
2014-06-06	Fri	00:01	0	0	0.00
Prev. Page					
Next Page					
Clear					
Back					

6.3 Display Advertisement Operation

In Version 1.05 for Lane Master, operator can put advertisement to the machine and display on the top monitor.

Please note that the advertisement video format has to be **AVI**.

Please prepare a mouse, a keyboard and a memory stick.

Step 1





Power down the machine. Plug in a mouse and a keyboard. Power up the machine. Insert a memory stick after pc showing system interface.

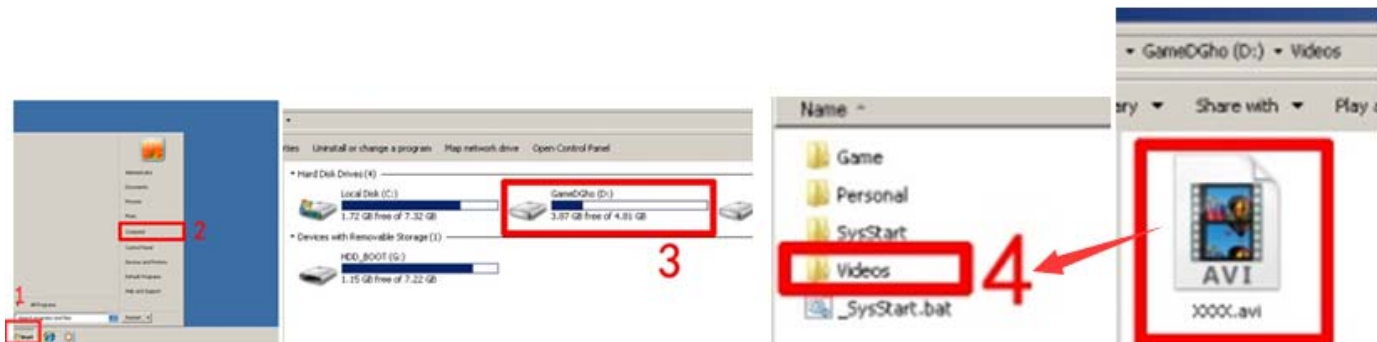
Note: Please do not put any ghost system file to the memory stick and do not insert the memory stick before power up the machine. Which may cause to damage the system.

Put the video file to a certain file.

Step 2

Copy the AVI file from memory stick into "Videos" folder.

("Start"  → "Computer"  → " GameDGho"  3.87 GB free of 4.81 GB
→ "Videos"  Videos)



Step 3

Unplug the memory stick. Power off and on the machine. The advertisement video will be shown on the top screen. If the video format is not AVI. It will shown an error as below.



7. TROUBLE SHOOTINGS

7.1 Common Problem


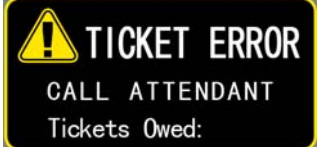

Please confirm whether every connector connected tightly.








Symptom	Possible Cause	Recommended action
Game will not start	Frame assembly connector is loose.	Plug the connector tightly.
	Frame assembly fault	Contact with UNIS Service.
Power cutting	Circuit protector make power SW in cutting state	Turn on power SW again. If appeared again and again, machine has anomaly. Please contact with UNIS Service.
Game will not coin up	Coin mech. fault or sample coin not installed.	Change coin mech. or sample coin.
	Coin mech. signal cable loose.	Check coin mech. signal cable loose.
	IO control board no signal.	Change IO board.
No ticket dispensing	Out of ticket.	Add ticket and press reset button
	Ticket jamming.	Remove the jammed tickets and press reset button.
	Wrong connection.	Check the connections.
No sound	Volume set too low.	Raise the volume.
	Connector loose.	Plug in connector tightly.
	PCB fault.	Change PCB.
	Speaker fault.	Change speaker.
	POT installation error.	Install POT correctly.
	POT fault.	Change POT.
	Audio cable problem.	Reconnect the audio cable or change it.
	PC crash.	Restart or system recovery.
Display black screen	Driver problem	Restart the audio driver.
	Check connectors.	Plug in connector tightly
	Display fault.	Vitalize another source such as a PC to verify if the display is operational.
Display blue screen	RAM is loose.	Pull it out and insert it again or change main board or RAM.
	PC power cord is loose	Check PC power cord whether is loose.
	VGA signal cable is loose.	Check VGA cable
	PC video card is loose.	Reseat video card.
	PC into protection	Open front cover, if power on, light flash all the time. Press power button 30s, then restart.
	“0X000000A” code appears. Conflict between computer drive and software.	Uninstall or disable the new drivers or software.

Symptom	Possible Cause	Recommended action
Display blue screen when playing	Software problem.	Update the driver of the video card or reinstall the system.
	Hardware problem.	Check the hardware one by one.
Playing normal, but appear system halted	Video card is loose or poor contact	Plug video card again.
	PC crash	Restart or system recovery
Display abnormal color	Bad connection between the video card and the display video cable.	Reconnect the video card and the display video cable.
	Video card driver problem.	Restart the video driver.
Display can not show the whole desktop.	Screen resolution problem.	For WIN 7, right-click in the blank space at the desktop —Click “screen resolution” —Click “change the appearance of the display” to adjust the screen resolution.
Bouncing motion of the display	Screen resolution problem.	—Click “screen resolution” —Click “change the appearance of the display” to adjust the screen refresh rate.
No response in BIOS	Battery is loose.	Reinstall the battery of the main board and restart the game or change the main board.
	Main board fault.	
Fail to save the BIOS setting	Battery fault.	Change the battery of the main board.
PC restart or crash repeatedly	Poor heat dissipation	Add silicon on the cooling fin.
		Check or change the CPU fan if needed.
	RAM or main board fault.	Change the RAM or change the main board.
	Power source problem.	Change the power source.
Fail to install the driver	Driver fault.	Download “Driver Genius” or something similar and try again.
CPU fan off and on.	Main board fault.	Change the main board.
Slow computer start-up times after reinstalling the system.	Hard disk problem.	Please let the PC automatically run the software, or change the hard disk.

Note: After replacing component from pc (except for RAM), and replacing monitor, the game should be recovered again with the memory stick attached to the machine.

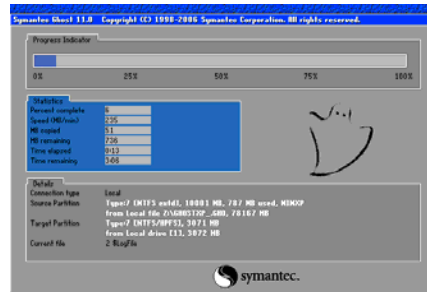
If you see following error signs showing on the display, please try the recommended action.

Display	Possible Cause	Recommended action
	The connection part of the IO board and PC are loose.	Check and reconnect the loose ports of the PC or IO board.
	USB cable quality problem	Change the USB cable after checking the connection between IO board and PC.
	USB cable is loose during transportation.	Check and reconnect the loose ports of the PC or IO board.
	IO board is broken.	Reboot the game after checking USB connection and USB cable problem, if the problem remains unresolved, please call after sale department for help.
	Out of ticket.	Refill ticket
	Loose connection of the ticket dispenser's cables.	Check and reconnect the loose ports of ticket dispenser.
	Ticket dispenser is broken.	Change the ticket dispenser.
	Tickets jam.	Clean up the blocked tickets.
	Out of ticket.	Refill ticket

Display	Possible Cause	Recommended action
 Infrared ERROR1  Infrared ERROR2  Infrared ERROR3  Infrared ERROR4  Infrared ERROR5	Loose connection of the sensor's cables.	Check and reconnect the loose ports of sensor.
 VIDEO FORMAT ERROR	Wrong format for the video.	Please note that the advertisement video format has to be AVI .
 Send Ball ERROR	Loose connection of the send ball assembly's cables.	Check and reconnect the loose ports of send ball assembly.
	Send ball assembly is broken.	Check the connection, if the problem remains unresolved, please call after sale department for help.

7.2 System Recovery Operation

1. Turn off the game. Remove recovery USB from the header. (Note: This process may take 30-45 minutes to reform.) Insert the memory stick into the USB port at the back of the computer.
2. Restart PC to enter the system recovery screen as shown.



3. The game will automatically start recovery.
4. Once system recovery is finished (as shown below), and the remove screen appears, remove the USB flash drive from the computer. The game will run automatically without power off and on the machine.

OK to remove the USB.



5. Assure that the recovery USB has been properly secured for future use.



WARNING: the USB flash drive should only be used to fix software errors. Using it for other purposes may cause unexpected results and damages.

8. MAINTENANCE & INSPECTION

8.1 Safety Check

Check the points listed before operating the machine. These checks are necessary for safe machine operation:

1. Test game before operation each day.
2. Conduct monthly routine checks of game components ensure good working condition
3. Check the machine regularly for dust and clean when necessary.

Note: Parts and components require preventative maintenance to maintain proper operation.

8.2 Handling Precautions

When installing or inspecting the machine, be very careful of the following points and pay attention to ensure that the player can enjoy the game safely.

Non-compliance with the following points or inappropriate handling running counter to the cautionary matters herein stated can cause personal injury or damage to the machine

! NOTICE

We do not recommend using power tools as they may cause damage.

8.3 Lane Maintenance

8.3.1 Cleaning

Soak the cloth with cleaner and twist it dry until it is not dripping, then wipe the lane for several times. At last, wipe dry the lane with clean cloth.



Sensor

8.3.2 Disassemble the lane sensor

Loose 5 screws to remove the sensor cover.



Sensors can be changed one by one or you can remove the screws at two sides to take out the whole sensor mounting plate to change the sensor.



Note: Please remove the cable ties before servicing this part and retie them after servicing or may cause damage to the connection.

8.4 Disassemble the lane front plastic

Loose 4 screws on the wood board under the front plastic



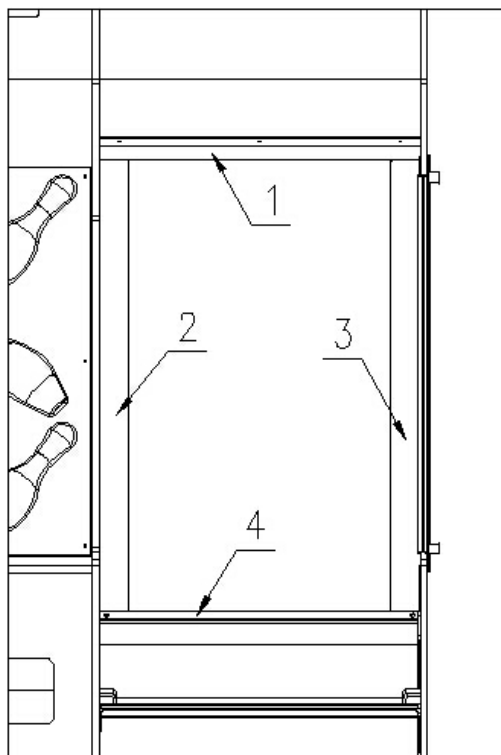
Lift up the front plastic. Unplug the plug before take out the front plastic



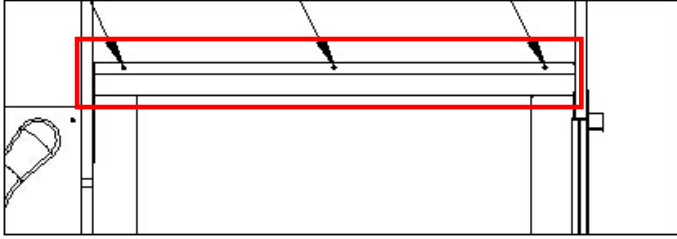
8.5 Display maintenance

8.5.1 Disassemble displays

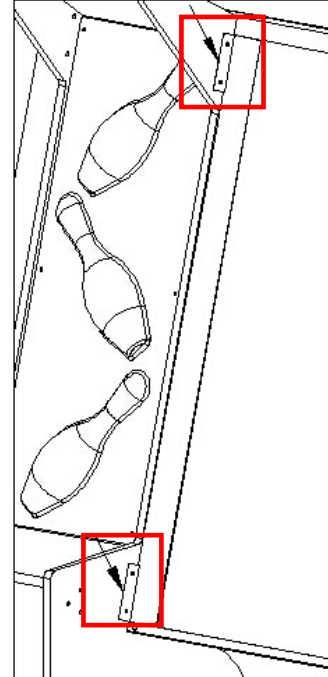
Loose 4 metal plates in order 1-2-3-4



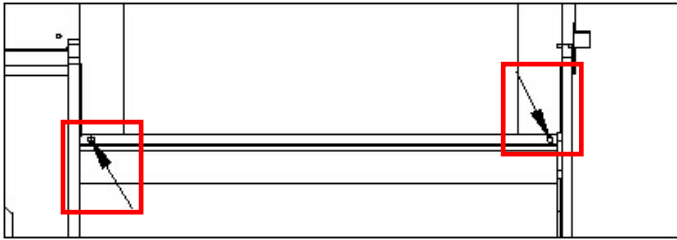
Metal plate 1 (3 screws)



Metal plate 2&3 (2 screws)



Metal plate 4 (2 screws)



Note: Please hold the plastic of the display when removing metal plate 4 or it may drop down. Please reassemble the display part in reversed order. (4-3-2-1)

8.5.2 Disassemble marquee display

Loose all the screws on the surface of the marquee plastic, and make sure there is enough space for placing the plastic, avoid any scratch to the plastic.



8.5.3 Cleaning display

After disassemble the display part, soak the cloth and twist it dry until it is not dripping, then gently wipe the display for several times.

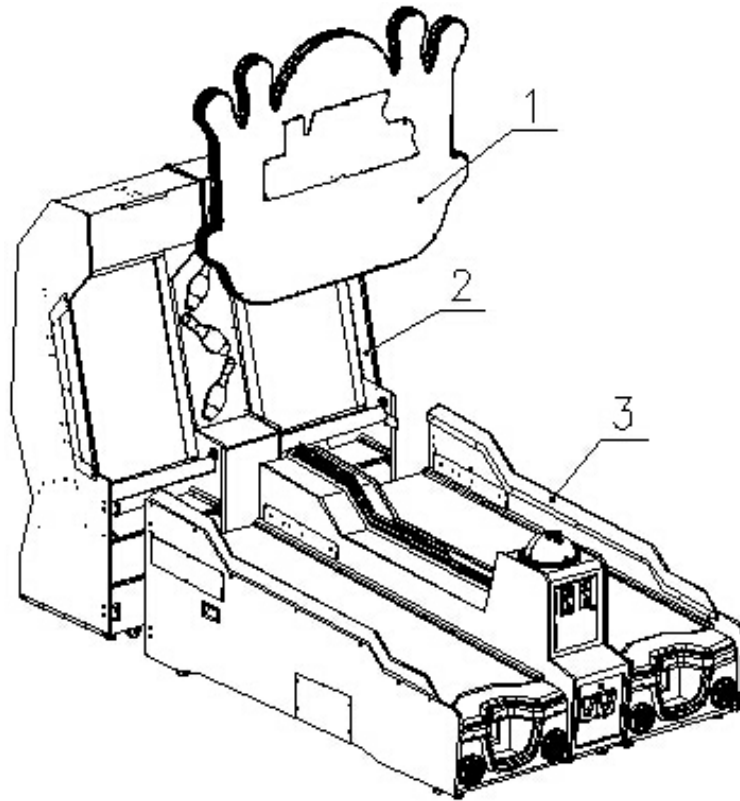


WARNING

- Before servicing the machine, be sure to turn power off. Servicing without turning the power off can cause electric shock or short circuit.
- To avoid electric shock or short circuit, do not plug then unplug the power quickly
- Do not expose power cords and earth wires, these are susceptible to damage.
- Damaged cords and wires can cause electric shock or short circuit and should be replaced immediately.
- When or after installing the product, avoid pulling the power cord to prevent unnecessary wear and tear. Use the power button to disconnect power.
- In case the power cord is damaged, ask for replacement through where the product was purchased from or replace locally. Continued usage of damaged cord can cause fire, electric shock or leakage.
- Perform grounding appropriately. Inappropriate grounding can cause electric shock.
- Use fuses that meet specified rating. Fuses exceeding can cause an electric shock.
- Should a problem occur, turn off the power immediately and stop operating the machine. Unplug the power cord of the service outlet. Operating the machine without correcting the problem may cause a fire or injuries.
- Insert the power plug securely into the outlet. Poor contact may cause overheating, resulting in fire or burns.
- To ensure the warning labels attached on the machine are visible and legible, install the machine in a well-lit location, and keep the labels clean at all times. Make sure the labels are not hidden behind other game machines.

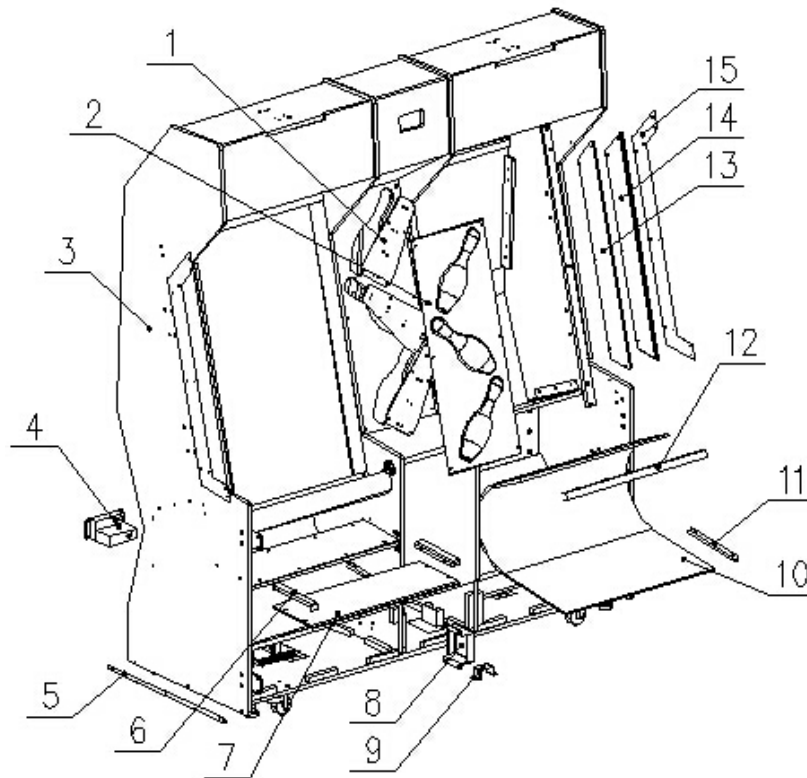
9. OVERALL CONSTRUCTION

9.1 General Assembly



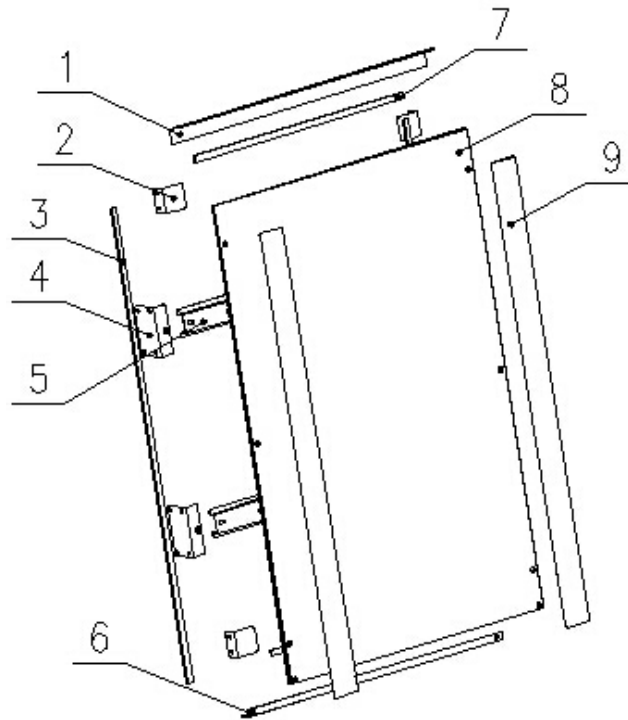
No.	Part No.	Code No.	Name	Qty
1	L105-010-000	29911605A003	Marquee Assy.	1
	L105-141-000	20104020002	Cross recessed hexagon screw kit	10
2	L105-001-000	29911605A001	Display Assy.	1
	L105-125-000	20101048010	Hexagon flat round head screws	16
3	L105-003-000	29911605A002	Lane Assy.	1

9.2 Display Assy.

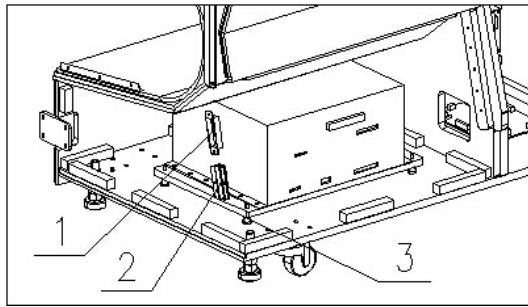


No.	Part No.	Code No.	Name	Qty
1	L105-222-000	20611605028	Light bar fixed plate	3
2	L105-235-000	20611605002	Light plate	1
	L105-109-000	20101010006	Hexagon flat round head screws	12
3	L105-002-000	29911605A004	Display Wood frame Assy.	1
4	L105-296-000	26000042000A	Power box assy.	1
	L105-293-000	26000042001A	Power box	1
	L105-294-000	26000042002A	Power box cover	1
	L105-295-000	26000042003	Cable cover	1
5	L105-214-000	20211605009	Side angle bead	2
6	L105-229-000	20611605001	Lane side light bar 2	4
	L105-105-000	20101000110	Cross recessed pan head screw suite	8
7	L105-332-000	20611605043	Lane rear board	2
	L105-128-000	20101102007	Cross recessed sunk head screw	4
8	L105-234-000	20611605029	Protect cover	1
9	L105-233-000	20211605043	Power fixed plate	1
	L105-133-000	20102000012	Hexagon flange nut	8
10	L105-225-000	20611605011	Damping foam 1	2
11	L105-228-000	20211605017	Foam pressing plate	4
12	L105-226-000	20211605016	Damping foam fixed bar	2
13	L105-220-000	20611605016	Side light board	2
	L105-130-000	20101108019	Hexagon flat round head screws	8

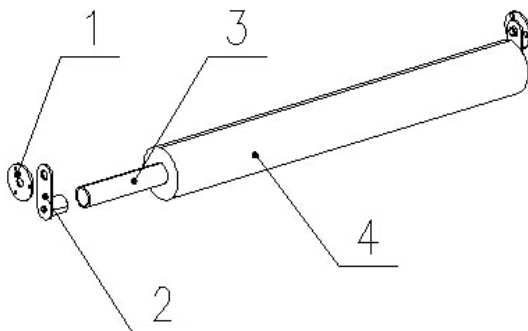
No.	Part No.	Code No.	Name	Qty
14	L105-224-000	20611605017	Side light board 2	2
	L105-137-000	20102040036	Cap nut	8
15	L105-333-000	20211605071	Side light cover	1
	L105-334-000	20211605072	Side light cover 2	1
	L105-126-000	20101100161	Hexagon flat round head screws	8



No.	Part No.	Code No.	Name	Qty
1	L105-213-001	20211605008A	Display horizontal cover	2
2	L105-230-000	20211605018	Display fixed plate	8
3	L105-231-000	20611605012	Display vertical bar	4
4	L105-212-000	20211605007	Display fixed bracket	8
	L105-107-000	20101000147	Cross recessed pan head screw suite	48
5	L105-211-000	20211605006	Display mounting bar	4
6	L105-217-000	20211605011	Display down cover	2
	L105-143-000	20113000055	C flat washer	16
	L105-101-000	20101000036	Cross recessed pan head screw suite	16
7	L105-232-000	20611605013	Display horizontal bar	4
8	L105-236-000	20611605019	Display cover	2
9	L105-219-000	20211605013	Display vertical cover	4
	L105-101-000	20101000036	Cross recessed pan head screw suite	6

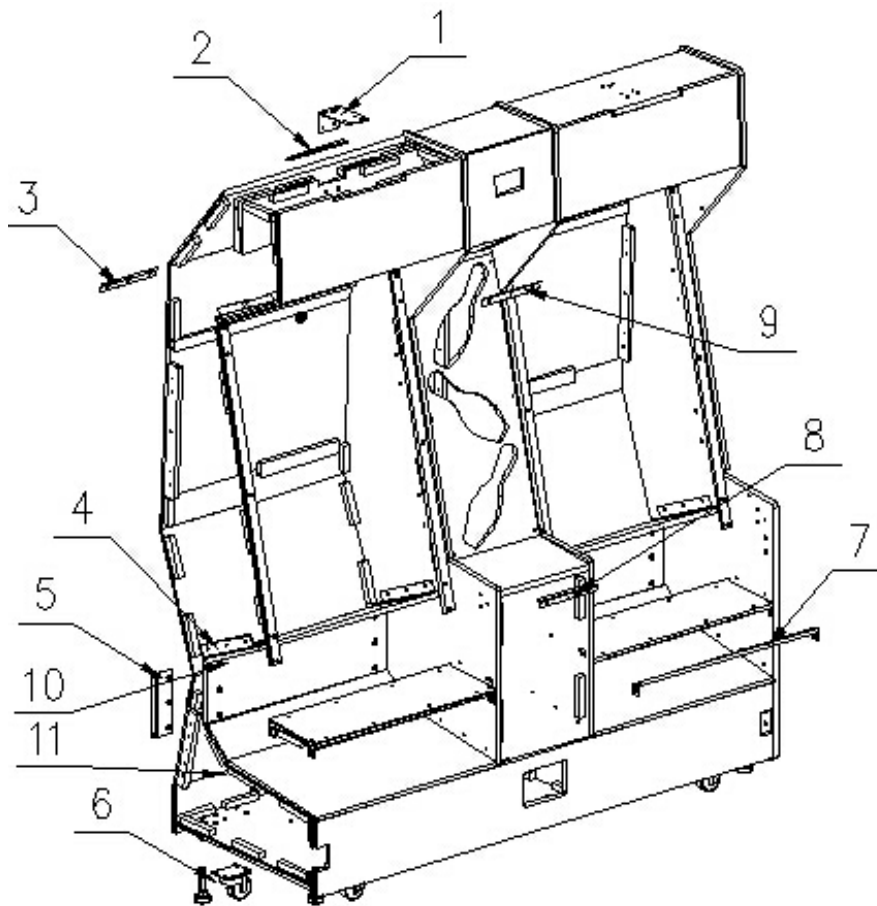


No.	Part No.	Code No.	Name	Qty
1	L105-303-000	26000064000	U disk fixed plate	1
2	L105-299-000	26000055000	Dongle holder	1
3	L105-440-000	20311605008	PC connected board	1
	L105-292-000	26000012000	Shake proof screw A	4
	L105-302-000	26000061000	PC power fixed bracket	1
	L105-343-000	20211605076	Video card fixed bar	1
	L105-344-000	20211605077	Video card fixed plate	1
	L105-345-000	20611605047	Video card pad	1
	L105-122-000	20101040023	Cross recessed pan head screw	2
	L105-134-000	20102020010	Hexagon flange nut	3

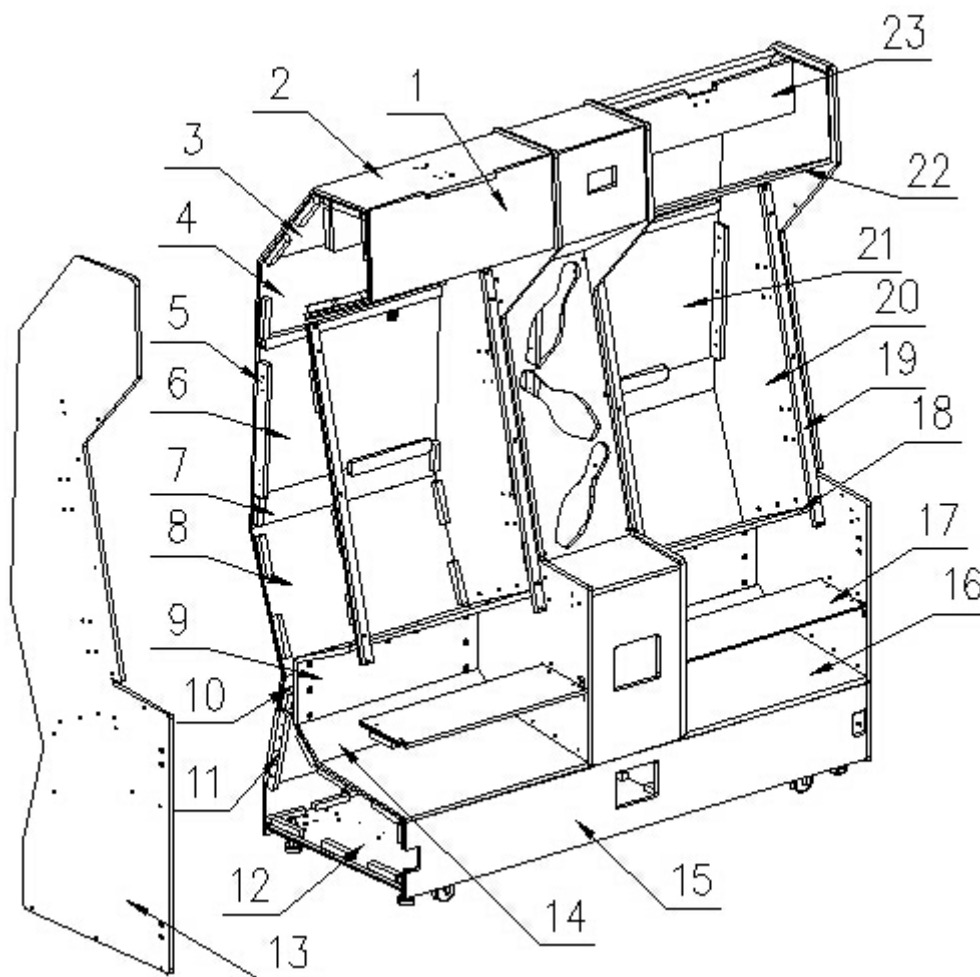


No.	Part No.	Code No.	Name	Qty
1	L105-216-000	20211605010	Damping fixed bracket	4
	L105-119-000	20101030191	Cross recessed sunk head screw	12
2	L105-218-000	20211605012	Protect bar connecting rod	4
	L105-110-000	20101010041	Cross recessed pan head screw suite	8
3	L105-215-000	20211605056	Protect bar	2
4	L105-305-000	29911605003	Bumper protect bar	2

9.3 Display Frame

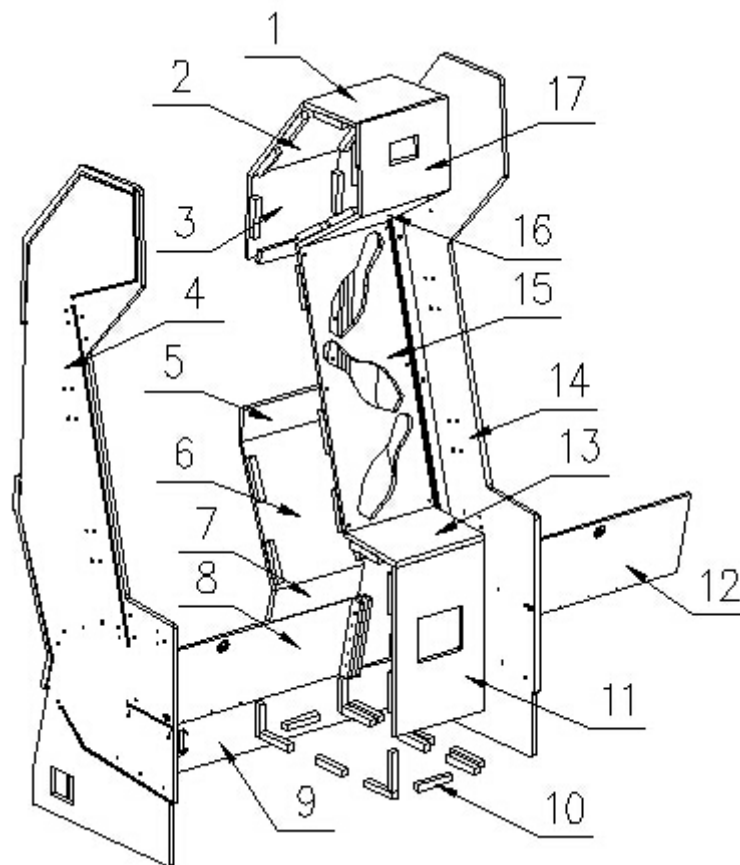


No.	Part No.	Code No.	Name	Qty
1	L105-202-000	20211605001	Marquee reinforced board	2
2	L105-209-000	20211605042	Up mid connected plate	3
3	L105-206-000	20211605041	Mid connected plate 2	3
4	L105-207-000	20211605003	Rear R Lane reinforced board	4
	L105-139-000	20104000002	Cross recessed hexagon screw kit	16
5	L105-208-000	20211605004	Rear L Lane reinforced board 2	5
	L105-290-000	26000008000	Cabinet leveller	10
	L105-291-000	26000010000	Caster bracket	12
6	L105-506-000	25501000056	Caster	12
	L105-140-000	20104000003	Cross recessed hexagon screw kit	32
	L105-152-000	20102030014	Hexagon nut	4
7	L105-204-000	20211605002	Lane reinforced board	6
	L105-112-000	20101020036	Cross recessed pan head screw suite	8
8	L105-205-000	20211605040	Mid connected plate 1	1
9	L105-203-000	20211605039	Up mid connected plate	1
10	L105-316-000	20211605061	Connected board	2
11	L105-210-000	20211605005	Up door fixed plate	2
4	L105-207-000	20211605003	Rear R Lane reinforced board	4



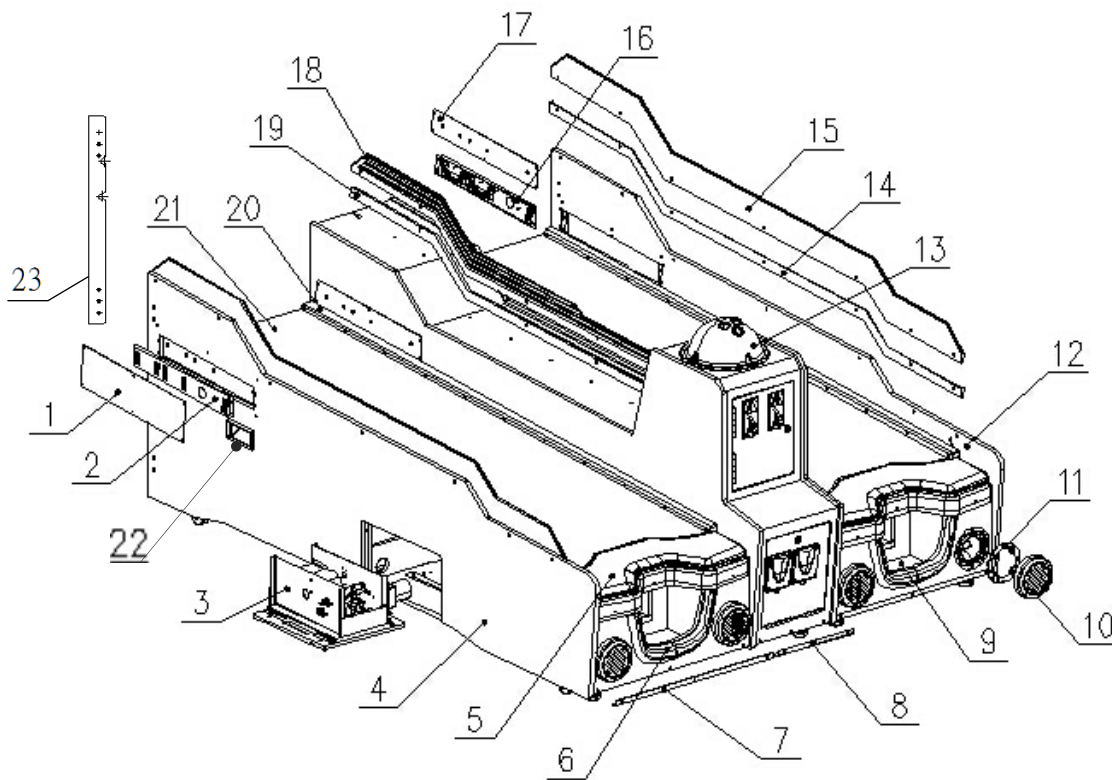
No.	Part No.	Code No.	Name	Qty
1	L105-413-000	20311605061	Front up board	2
2	L105-412-000	20311605047	Top board	2
3	L105-411-000	20311605046	Fan board	2
4	L105-410-000	20311605045	Rear up board	2
5	L105-439-000	20311605007	Up door fixed plate	4
6	L105-435-000	20311605056	Up service door	1
7	L105-433-000	20311605055	Back bottom connected plate	2
8	L105-409-000	20311605044	Rear mid board	2
9	L105-423-000	20311605032	Lane board	2
10	L105-437-000	20311605058	Back bottom connected plate	2
11	L105-438-000	20311605006	Door fixed plate	4
12	L105-407-000	20311605030	Bed board	1
	L105-145-000	20114000004	Nut	8
	L105-148-000	20114000021	Paw nut	36
13	L105-401-000	20311605A001	L side board	1
	L105-145-000	20114000004	Nut	20
	L105-147-000	20114000009	Nut	4
	L105-148-000	20114000021	Paw nut	13

No.	Part No.	Code No.	Name	Qty
14	L105-426-000	20311605033	Lane board	2
15	L105-404-000	20311605001	Front bed board	1
16	L105-416-000	20311605003	Rear Lane bed board	2
17	L105-418-000	20311605037	Rear Lane board	2
18	L105-417-000	20311605031	Rear Lane back board	2
19	L105-415-000	20311605002	Display wooden board	4
20	L105-403-000	20311605A002	R side board	1
	L105-145-000	20114000004	Nut	20
	L105-147-000	20114000009	Nut	4
	L105-148-000	20114000021	Paw nut	13
21	L105-406-000	20311605042	Up service door	1
22	L105-414-000	20311605048	Front mid board	2
23	L105-434-000	20311605005	Top reinforced board	2



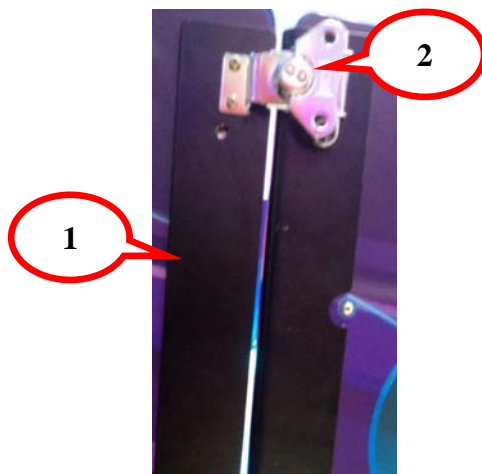
No.	Part No.	Code No.	Name	Qty
1	L105-432-000	20311605054	Top mid connected board	1
2	L105-429-000	20311605051	Up mid connected board	1
3	L105-430-000	20311605052	Down mid connected board	1
4	L105-402-000	20311605059	Side board	1
5	L105-431-000	20311605053	Bottom short connected plate	1
6	L105-428-000	20311605050	Mid connected board	1
7	L105-427-000	20311605049	Back bottom connected plate	1
8	L105-408-000	20311605043	Down service door	1
9	L105-405-000	20311605041	Power connected board	1
10	L105-509-000	35201001	Wood	35
11	L105-424-000	20311605004	Down mid connected board	1
12	L105-436-000	20311605057	Down service door	1
13	L105-425-000	20311605067	Up mid connected board	1
14	L105-419-000	20311605063	Side board	1
15	L105-420-000	20311605064	Pin board	1
16	L105-421-000	20311605065	Mid up connected board	1
17	L105-422-000	20311605066	Marquee cable plate	1

9.4 Lane Assy.

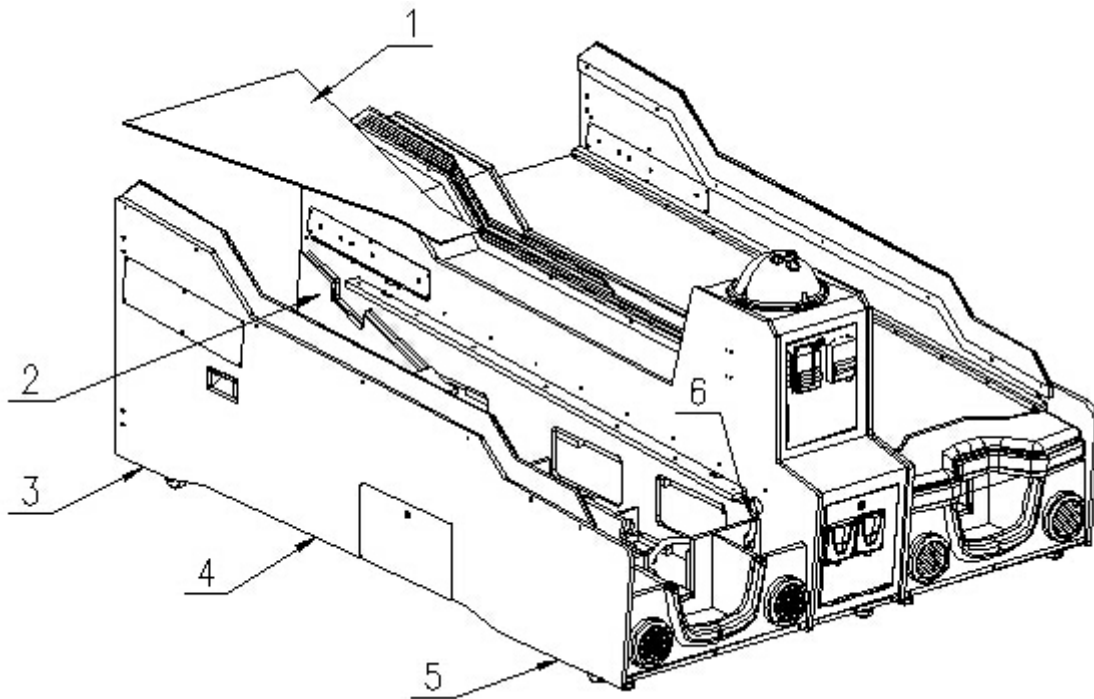


No.	Part No.	Code No.	Name	Qty
1	L105-260-000	20211605026	Sensor cover	2
2	L105-006-000	29911605012	L sensor Assy.	2
3	L105-008-000	29911605006	Ball out system	2
	L105-118-000	20101030179	Swing screw	2
	L105-257-000	20211605025	Side light fixed plate	2
	L105-237000	20211605044	Ball out fixed plate	2
4	L105-004-000	29911605A005	L Lane frame Assy.	1
	L105-142-000	20104023002	Cross recessed hexagon screw kit	8
5	L105-009-000	29911605007	Ball basket light Assy.	2
	L105-104-000	20101000090	Cross recessed pan head screw suite	8
6	L105-265-000	20611605026	Ball basket light cover	2
7	L105-272-000	20211605032	Angle bead	2
8	L105-273-000	20211605033	Angle bead	1
9	L105-336-000	20611605045	Damping foam 2	2
10	L105-301-000	26000057001	Speaker net light cover	4
	L105-121-000	20101040006	Hexagon flat round head screws	16

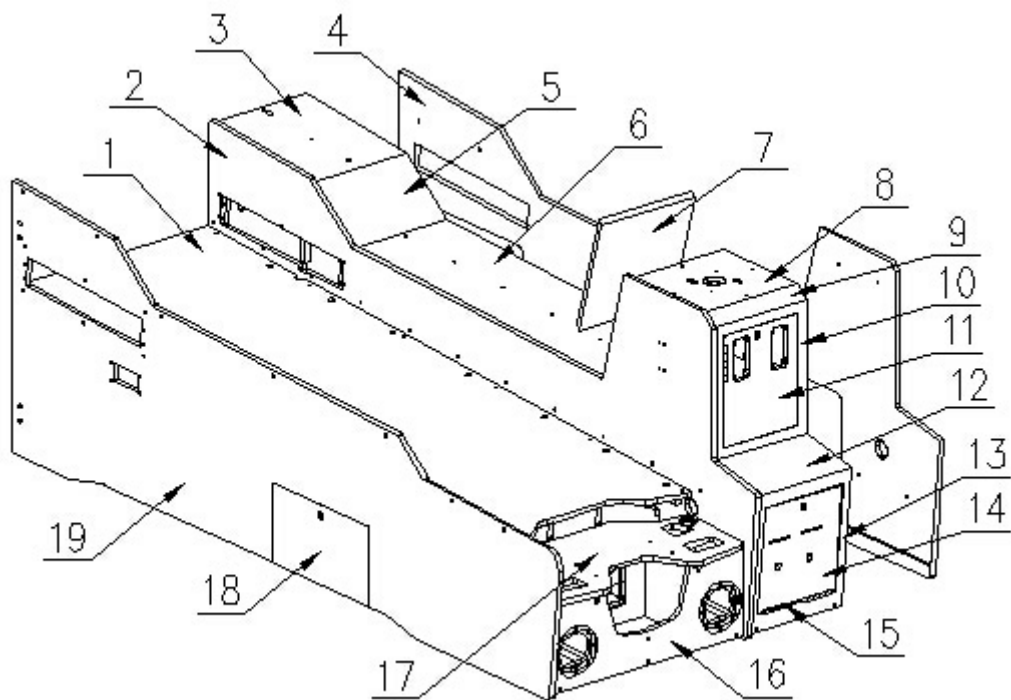
No.	Part No.	Code No.	Name	Qty
11	L105-288-000	20251301065	Speaker net light bracket	4
12	L105-005-000	29911605A006	R Lane frame Assy.	1
13	L105-266-000	20611605003	Bowling light cover	1
14	L105-267-000	20211605029	L side plastic fixed plate	1
	L105-268-000	20211605030	R side plastic fixed plate	1
15	L105-259-000	20611605021	Side clear light board	2
	L105-129-000	20101108005	Hexagon flat round head screws	20
16	L105-007-000	29911605005	R sensor Assy.	2
17	L105-241-000	20211605022	Sensor cover	4
18	L105-269-000	20611605022	Mid clear light board	1
19	L105-270-000	20211605031	Mid plastic fixed plate	1
	L105-116-000	20101030018	Cross recessed sunk head screw	30
	L105-138-000	20102040038	Cap nut	4
20	L105-271-000	20611605004	Lane side light bar	4
21	L105-335-000	20611605044	Lane clear plate	2
	L105-127-000	20101100175	Cross recessed sunk head screw	24
22	L105-503-000	25102000098	Black plastic handle	2
23	L105-340-000	20211605074	R side reinforced plate	1
	L105-341-000	20211605075	L side reinforced plate	1
	L105-151-000	20101048028	Hexagon flat round head screws	8
	L105-144-000	20113040051	C flat washer	8



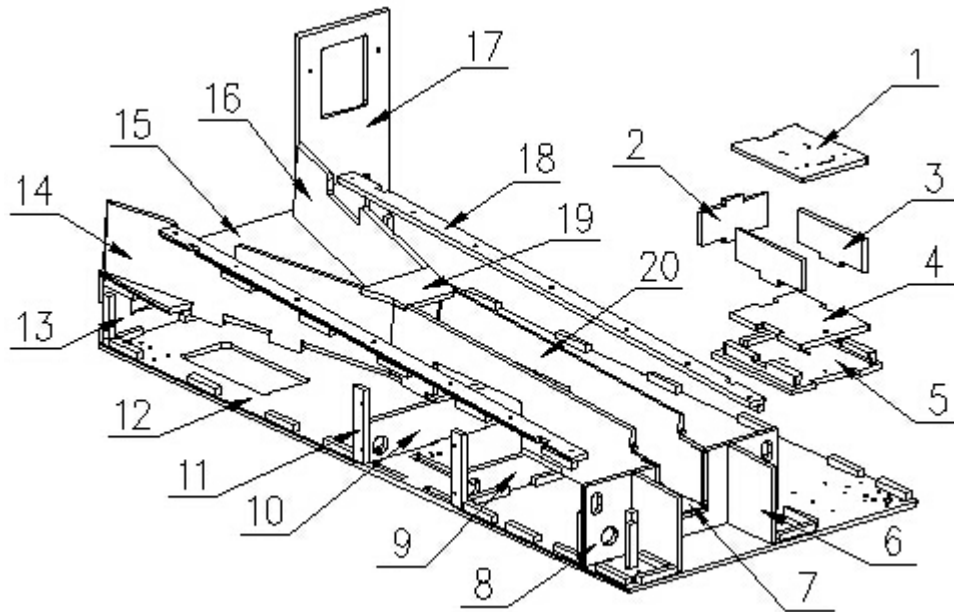
No.	Part No.	Code No.	Name	Qty
1	L105-339-000	20211605073	Connected plate	2
2	L105-577-000	26302000009	Latch	4



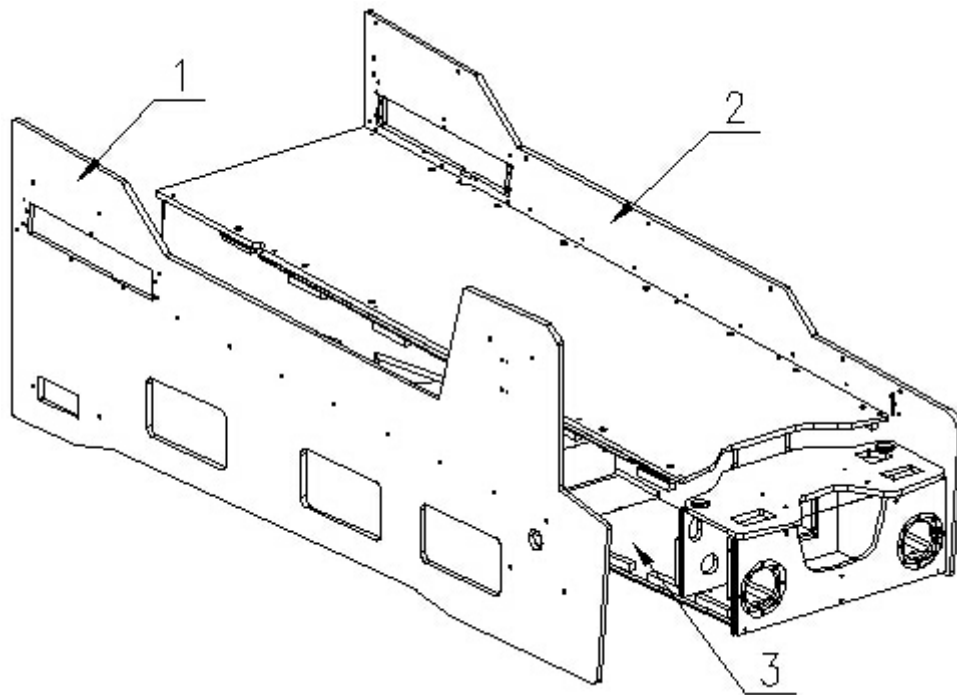
No.	Part No.	Code No.	Name	Qty
1	L105-317-000	20611605037	Lane foam	2
2	L105-306-000	20611605030	Lane damping foam 1	2
	L105-307-000	20611605031	Lane damping foam 2	2
3	L105-327-000	20211605069	Angle iron 2	2
4	L105-326-000	20211605068	Angle iron 1	2
5	L105-328-000	20211605070	Angle iron 3	2
6	L105-325-000	20611605042	drain-pipe	4
	L105-321-000	20211605064	Water head	4
	L105-574-000	25103000005	Hose clamp	4



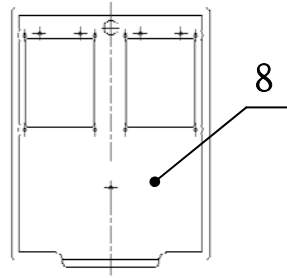
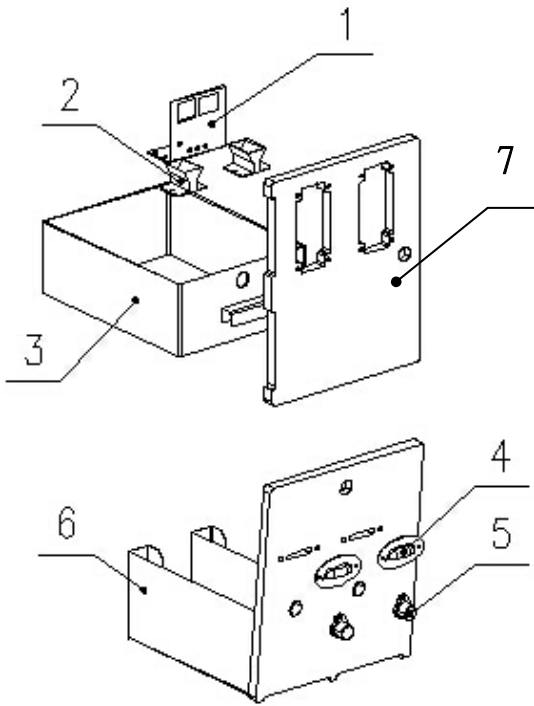
No.	Part No.	Code No.	Name	Qty
1	L105-448-001	20311605089	Lane board	2
2	L105-442-000	20311605068	Side board	1
3	L105-461-000	20311605075	Up front connected board	1
4	L105-471-000	20311605019	Connected side board	1
5	L105-462-000	20311605076	Up front cantboard	1
6	L105-463-000	20311605077	Long connected board	1
7	L105-464-000	20311605078	Rear connected cantboard	1
8	L105-465-000	20311605079	Bowling decoration board	1
	L105-146-000	20114000005	Nut	4
9	L105-466-000	20311605080	Small connected board	1
10	L105-467-000	20311605081	Coin board	1
11	L105-473-000	20311605086	Coin door board	1
12	L105-468-000	20311605082	Front connected board	1
13	L105-469-000	20311605083	Ticket board	1
14	L105-441-001	20311605A004A	Ticket door plate	1
15	L105-507-000	26300000001	Hinge	4
16	L105-455-000	20311605073	Speaker fixed plate	1
	L105-456-000	20311605014	Front light support plate	1
17	L105-342-000	20611605046	Light cover fixed plate	1
	L105-472-000	20311605084	Ball out cover	1
18	L105-117-000	20101030027	Cross recessed pan head screw	4
	L105-443-001	20311605A003A	Side board	1



No.	Part No.	Code No.	Name	Qty
1	L105-491-000	20311605093	Coin box top board	1
2	L105-490-000	20311605092	Coin box rear board	1
3	L105-492-000	20311605094	Coin box side board	2
4	L105-489-000	20311605091	Coin box bed board	1
5	L105-474-000	20311605020	Coin box down board	1
6	L105-457-000	20311605074	Groove side board	2
7	L105-454-000	20311605072	Bottom-Lane front board	1
8	L105-445-000	20311605070	Baffle	1
9	L105-459-000	20311605016	Cabinet fence(S)	1
10	L105-470-000	20311605018	Cabinet fence(L)	1
11	L105-451-000	20311605011	Door fixed plate	2
12	L105-446-000	20311605034	Front bed board	1
13	L105-444-000	20311605009	Rear cover board	1
14	L105-452-000	20311605012	Bottom-Lane front side board	1
15	L105-449-000	20311605010	Bottom-Lane front board	1
16	L105-453-000	20311605013	Bottom-Lane front side board	1
17	L105-460-001	20311605090	Rear mid cover	1
18	L105-447-000	20311605035	Face connected board	2
	L105-115-000	20101020188	Cross recessed hexagon screw suite	14
19	L105-458-000	20311605015	Lane connected board	1
20	L105-450-000	20311605071	Bottom-Lane side board	2



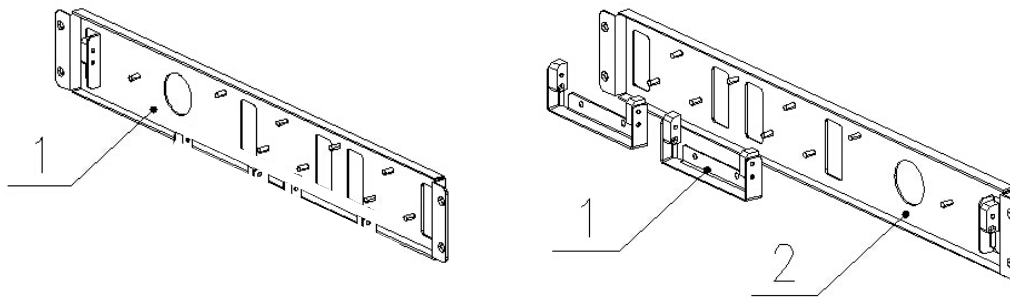
No.	Part No.	Code No.	Name	Qty
1	L105-478-000	20311605A005	Side board	1
2	L105-480-000	20311605087	Side board	1
3	L105-479-000	20311605036	Front board	1



Note: 7 & 8 are alternative.

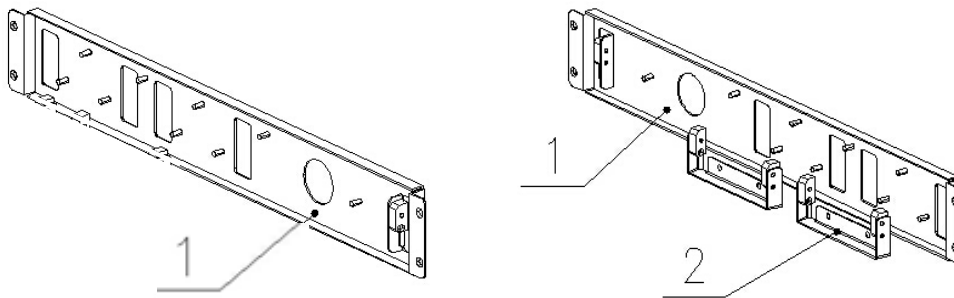
No.	Part No.	Code No.	Name	Qty
1	L105-324-000	20211605067	Dual meter bracket	1
2	L105-264-000	20211605028	Coin conduit	2
3	L105-263-001	20211605027A	Coin box	1
	L105-505-000	25300172001	Lock	1
4	L105-298-000	26000051000	Ticket cover	2
5	L105-304-000	26000065000	Out of ticket light cover	2
6	L105-289-000	26000007000	Ticket box 120	2
7	L105-473-000	20311605086	Coin door	1
8	L105-320-000	20211605A001	Cashier door	1

9.5 Left sensor Assy.



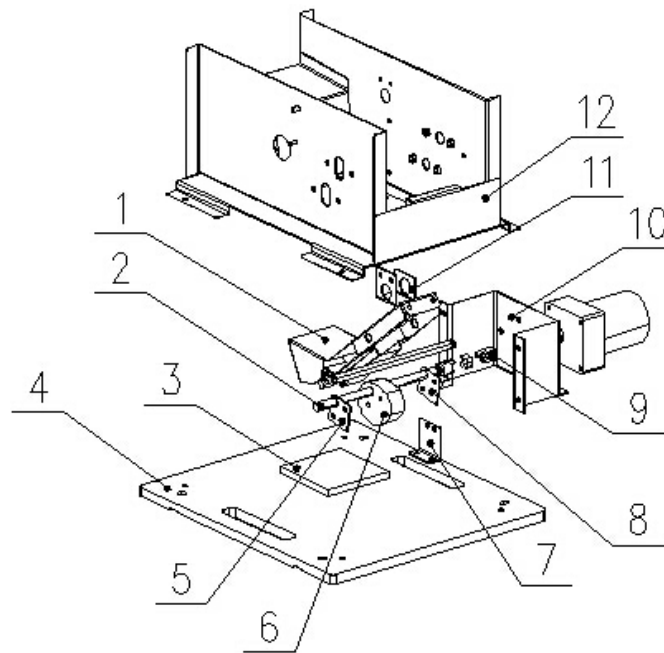
No.	Part No.	Code No.	Name	Qty
1	L105-238-000	20211605019	Sensor fixed plate	1
	L105-135-000	20102020034	Non-metallic hexagon lock nut	5
	L105-113-000	20101020159	Cross recessed pan head screw suite	5

9.6 Right sensor Assy.



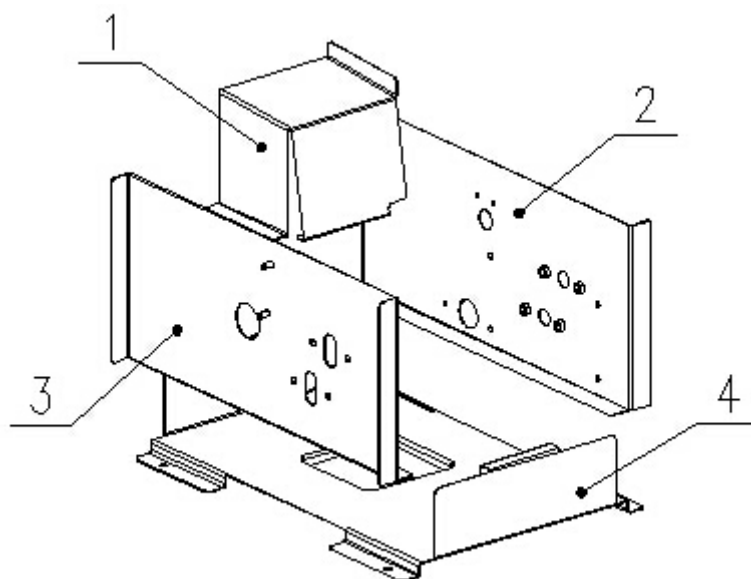
No.	Part No.	Code No.	Name	Qty
1	L105-240-000	20211605021	Sensor fixed plate 2	1
	L105-135-000	20102020034	Non-metallic hexagon lock nut	5
	L105-113-000	20101020159	Cross recessed pan head screw suite	5

9.7 Ball out Assy.



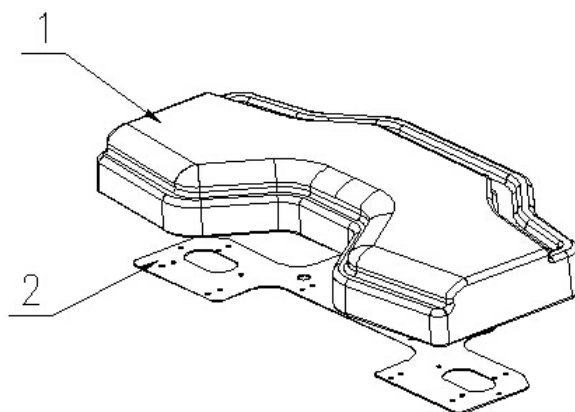
No.	Part No.	Code No.	Name	Qty
1	L105-249-000	20211605023	Up bowling bracket	1
2	L105-250-000	20211605024	Motor shaft	1
	L105-501-000	20106130014	Diamond bearing	2
3	L105-255-000	20611605014	Damping board	1
4	L105-481-000	20311605024	Cabinet support board	1
5	L105-252-000	20211605051	Eccentric wheel pad	1
6	L105-251-000	20611605023	Eccentric wheel	1
	L105-103-000	20101000044	Cross recessed pan head screw suite	2
7	L105-254-000	20211605053	Sensor fixed plate B	1
8	L105-253-000	20211605052	Sensor baffle	1
9	L105-578-000	20117000401	Coupling	1
10	L105-248-000	20211605050	Motor bracket	1
	L105-102-000	20101000041	Cross recessed pan head screw suite	4
11	L105-247-000	20211605049	Sensor fixed plate A	1
	L105-131-000	20102000002	Non-metallic hexagon lock nut	2
12	L105-242-000	20211605057	Cabinet bracket	1

9.8 Cabinet part



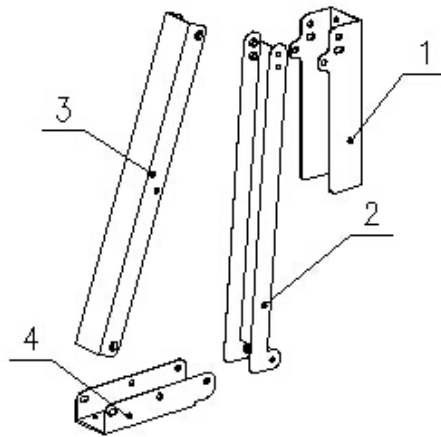
No.	Part No.	Code No.	Name	Qty
1	L105-246-000	20211605048	Cantboard	1
2	L105-244-000	20211605046	Side board B	1
3	L105-243-000	20211605045	Side board A	1
4	L105-245-000	20211605047	Bed board	1

9.9 Ball basket light Assy.

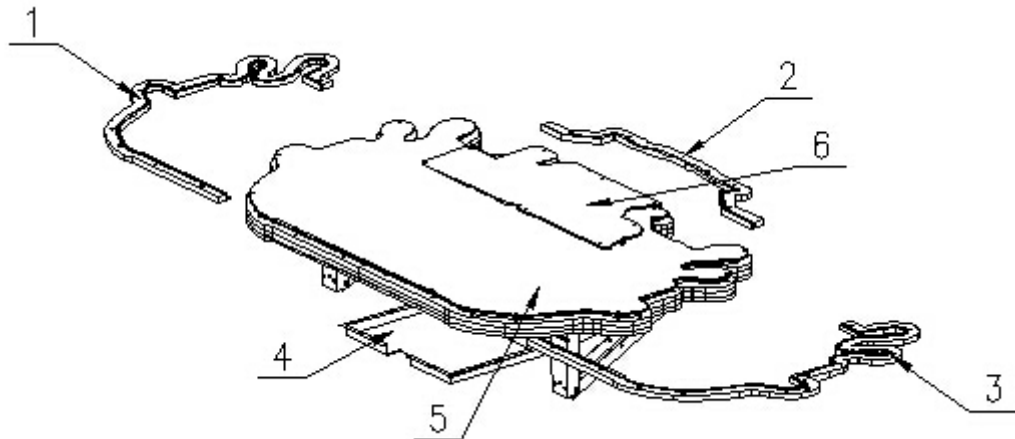


No.	Part No.	Code No.	Name	Qty
1	L105-330-000	20611605040	Bowling light cover	1
	L105-329-000	20611605039	Bowling light plate	1
2	L105-111-000	20101020035	Cross recessed pan head screw suite	6

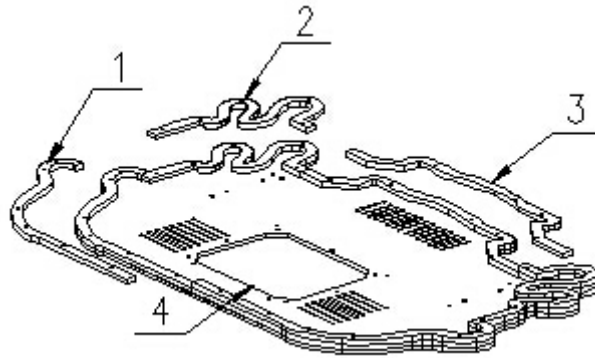
9.10 Marquee Assy.



No.	Part No.	Code No.	Name	Qty
1	L105-278-000	20211605034	Marquee fixed plate	2
2	L105-280-000	20211605035	Marquee connected rod	2
3	L105-282-000	20211605037	Fixed connected rod	2
	L105-114-000	20101020186	Cross recessed hexagon screw suite	16
4	L105-281-000	20211605036	Marquee fixed bracket	1



No.	Part No.	Code No.	Name	Qty
1	L105-312-000	20611605033	Light bar 2	1
	L105-313-000	20611605034	Light bar 3	1
	L105-106-000	20101000112	Cross recessed pan head screw	7
2	L105-311-000	20611605032	Light bar 1	1
	L105-106-000	20101000112	Cross recessed pan head screw	3
3	L105-314-000	20611605035	Light bar 4	1
	L105-315-000	20611605036	Light bar 5	1
	L105-106-000	20101000112	Cross recessed pan head screw	7
4	L105-284-000	20211605038	Marquee cover	1
5	L105-124-000	20101040134	Cross recessed pan head screw	12
	L105-143-000	20113000055	C flat washer	12
6	L105-279-000	20611605024	Swivel nut	8
	L105-136-000	20102040011	Hexagon flange nut	6
	L105-123-000	20101040108	Cross recessed pan head screw	6

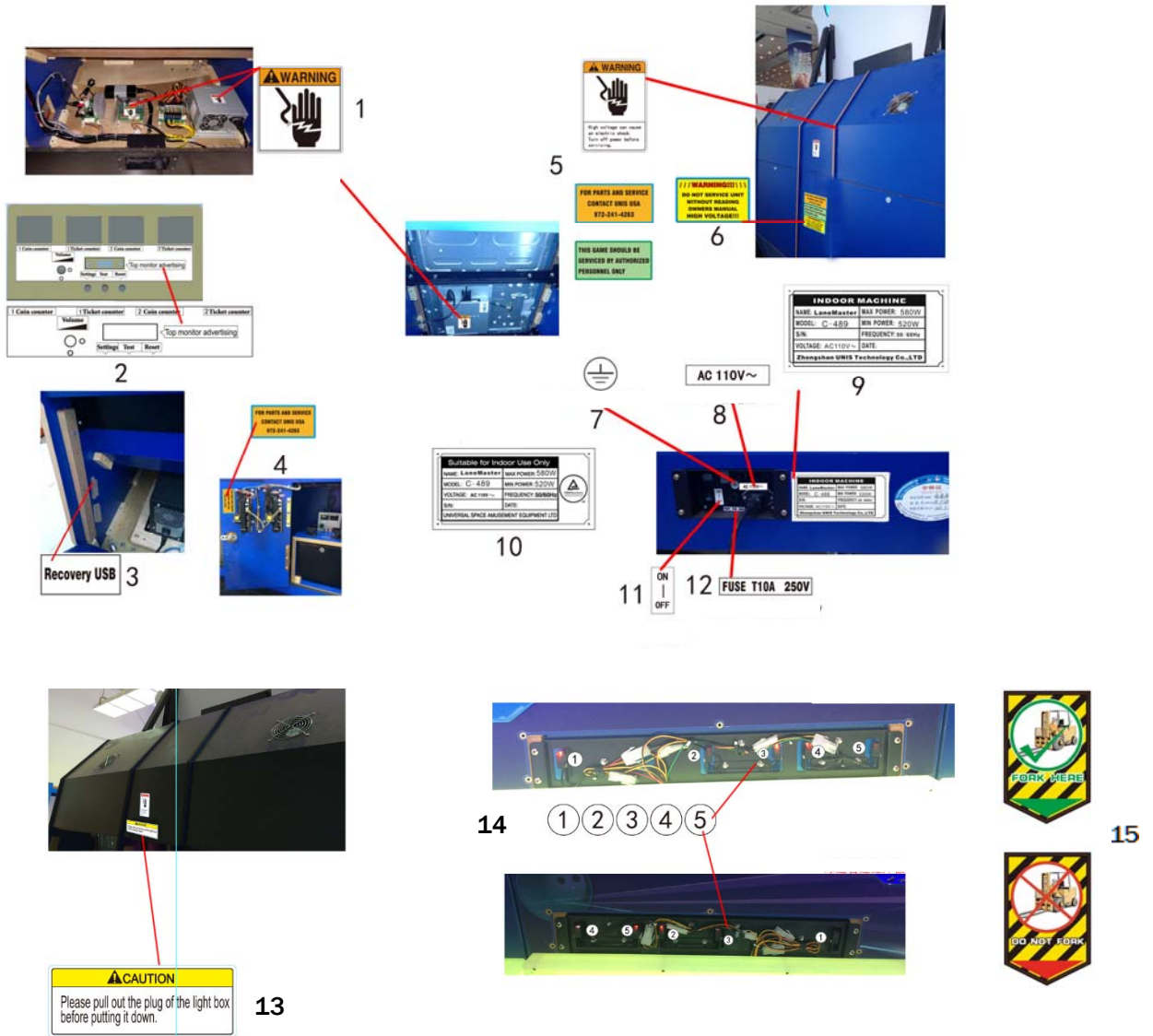


No.	Part No.	Code No.	Name	Qty
1	L105-486-000	20311605027	Light bar fixed plate 3	4
2	L105-485-000	20311605026	Light bar fixed plate 2	4
3	L105-484-000	20311605025	Light bar fixed plate 1	2
4	L105-483-001	20311605A006	Marquee bed board	1
	L105-337-000	20611605038	PCB protect board	1

9.11Decals



No.	Part No.	Code No.	Name	Qty
1	L105-703-000	20511605A003	L top side decal	1
	L105-704-000	20511605A004	R top side decal	1
2	L105-732-000	20511605A017	Marquee decal	1
3	L105-715-000	20511605014	Display frame	2
4	L105-706-000	20511605A005	L side 01	1
	L105-707-000	20511605A006	L side 02	1
	L105-739-000	20511605A023	Sensor L cover decal	1
5	L105-708-000	20511605A007	R side 01	1
	L105-709-000	20511605A008	R side 02	1
	L105-738-000	20511605A022	Sensor R cover decal	1
6	L105-711-000	20511605010	Mid L wood board	1
	L105-713-000	20511605011	Mid R wood board	1
7	L105-721-000	25600000034	Ticket label	2
8	L105-710-000	20511605A009	Instruction decal	1
9	L105-712-000	20511605A010	Front panel wood board	1
10	L105-716-000	20511605015	Purple R	1
	L105-717-000	20511605016	Purple L	1
11	L105-733-000	20511605A018	LOGO decal	1
12	L105-705-000	20511605005	Cover decal	1

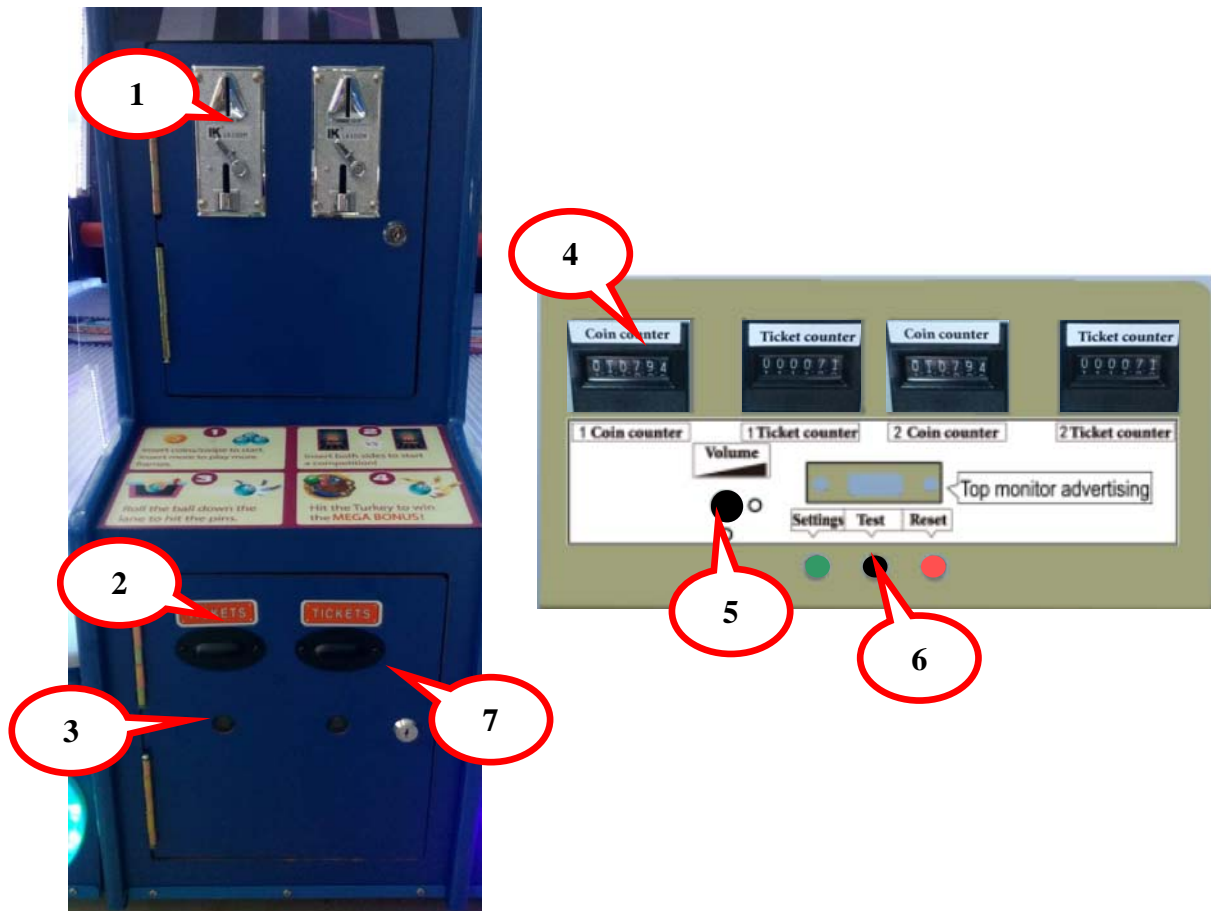


No.	Part No.	Code No.	Name	Qty
1	L105-722-000	25600000036	Warning label S	4
2	L105-718-000	20511605A020	Meter label	1
3	L105-719-000	26601100283	U disk label	1
4	L105-730-000	25600000096	Service label (S)	1
5	L105-723-000	25600000037	Warning label L	2
	L105-729-000	25600000095	Service label (L)	1
	L105-724-000	25600000042	Service label 1	1
6	L105-725-000	25600000067	Service label	1
7	L105-728-000	25600000091	GND label	1
8	L105-726-000	25600000071	110 V label	1
9	L105-714-000	20511605A012	110V uncertified nameplate	1
10	L105-736-000	20511605A021	TUV 110V nameplate	1
11	L105-720-000	25600000016	Power SW label A	1
12	L105-727-000	25600000077	Fuse T10A/250V	1
13	L105-734-000	20511605A019	Notice label	1
14	L105-735-000	20511605022	Sensor label	1
15	L105-740-000	25600000111	Do not fork label	10
	L105-741-000	25600000112	Fork here label	12

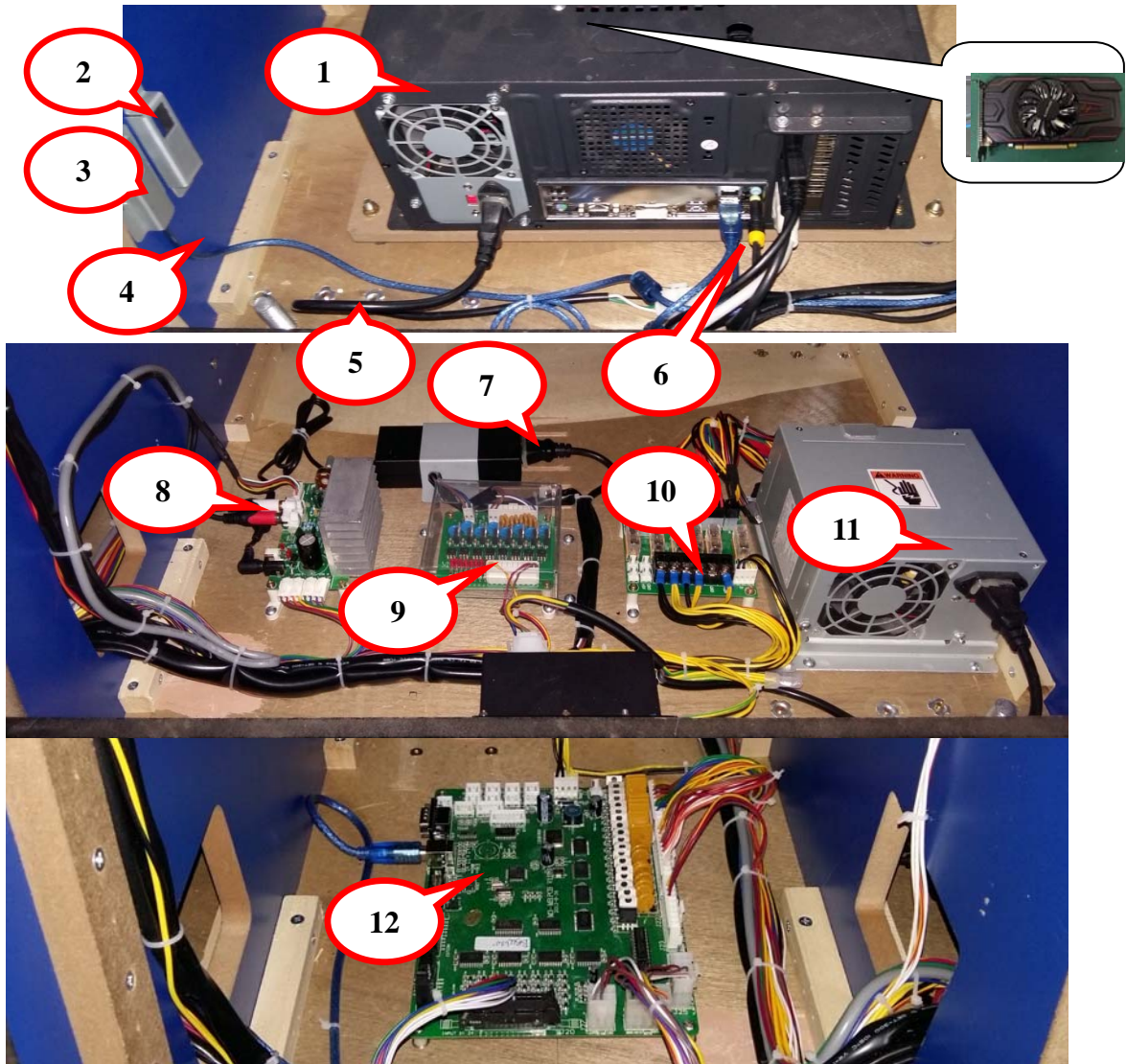
9.12 Electrical components



No.	Part No.	Code No.	Name	Qty
1	L105-531-000	22002013003	LED soft light band	5.5
2	L105-568-000	23307010002	DVI-HDMI cable	1
	L105-569-000	23307060001	DVI-DVI cable	1
	L105-522-000	21201032006	32" display assy.	1
3	L105-583-000	23307000018	DP-DVI cable	1
	L105-584-000	23307020001	DVI-DVI cable	1
	L105-554-000	23307000015	DVI-DVI cable	1
	L105-523-000	21201042002	42" LED display	2
4	L105-533-000	22002013013	5050 soft light band	0.3
	L105-534-000	22002015003	5050 soft light band	0.3
	L105-535-000	22002015007	5050 soft light band	0.3
5	L105-532-000	22002013004	LED soft light band	12.5
6	L105-530-000	22002013002	RGB soft light band	12.5
7	L105-560-000	29751301003	Speaker light board	4
	L105-547-000	22801000046	Hi-mid speaker	4
8	L105-518-000	20740914002	PCB board	1
9	L105-581-000	22003080014	5630 light	2

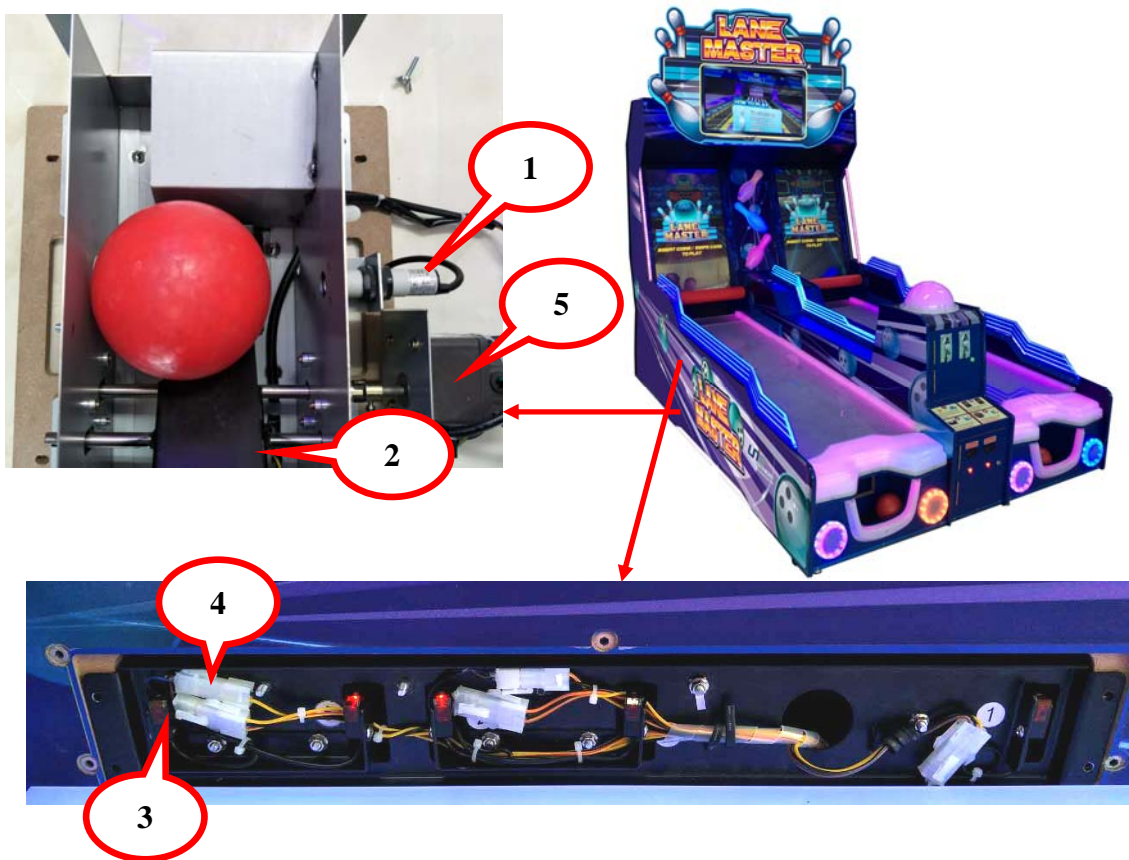


No.	Part No.	Code No.	Name	Qty
1	L105-539-000	22301000001	Coin mech.	2
	L105-538-000	22201000028	12V white light socket	2
	L105-537-000	22003000018	LED light bulb	2
2	L105-550-000	23100000005	Ticket dispenser	2
3	L105-536-000	22003000003	LED light bulb(12V)	2
4	L105-549-000	23000000005	Meter	4
5	L105-543-000	22403000001	POT knob	1
	L105-563-000	29791400001	POT connected board	1
6	L105-540-000	22402010002	Button (Red)	1
	L105-541-000	22402030002	Button (Green)	1
	L105-542-000	22402050001	Button (Black)	1
7	L105-561-000	29790700002	Ticket converted board	2

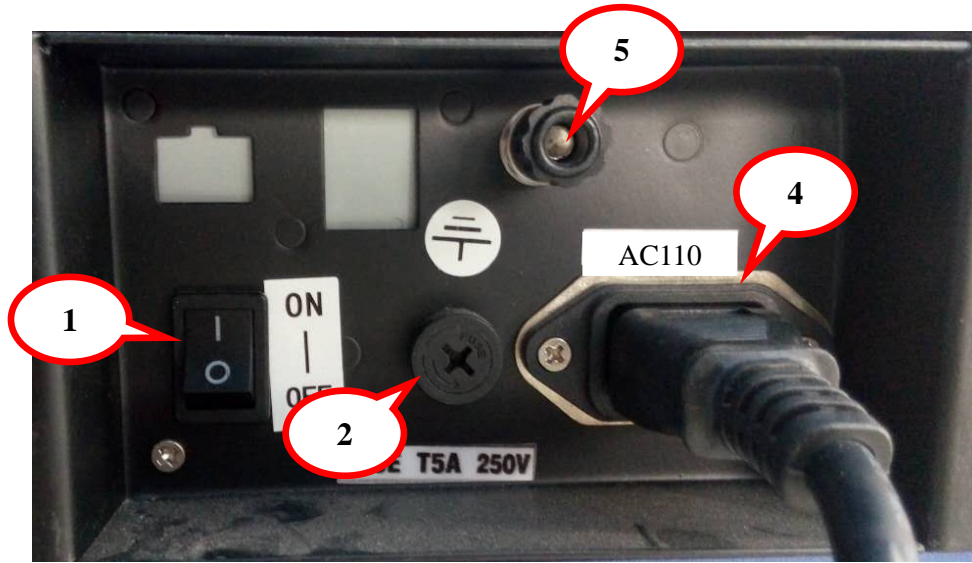


No.	Part No.	Code No.	Name	Qty
1	L105-519-100	21102000051B	PC assy.(TUV)	1
	L105-519-001	21107220008	Main board	1
	L105-519-002	21107190017	CPU	1
	L105-519-009	21107090003	Memory(4G)	1
	L105-519-004	21107060004	Hard disk	1
	L105-519-005	21107170012	Power supply	1
	L105-519-006	21107070007	CPU fan	1
	L105-519-007	21107070008	Cabinet fan	1
	L105-519-008	21107270004	PC cabinet	1
	L105-521-002	21107030081	Video card(R7 250X)	1
2	L105-520-000	21107020036	Dongle	1
	L105-572-000	23304010032	USB cable(3M)	1
3	L105-564-000	41300000005	U disk	1
4	L105-552-000	23304030001	USB extended cable	1
5	L105-551-000	23301050002	Power cord	1
6	L105-573-000	23304010031	USB cable(1.5M)	1
7	L105-528-000	21603020001	5050 Mushroom light adapter	1
8	L105-548-000	22803000031	2.0 amplifier	1
	L105-553-000	23305000003	Audio cable	1

No.	Part No.	Code No.	Name	Qty
9	L105-565-000	29710826003	PCB board	2
10	L105-559-000	29711605001	Short circuit board (Fuseboard01(V1.0))	1
	L105-559-001	21901000012	Short circuit board-Fuse (Φ5*20mm T5A 250VAC)	6
11	L105-527-000	21602000001	Power box	1
12	L105-562-000	29791300001	M3 main board	1
	L105-567-000	23304000020	USB cable	1
	L105-557-001	23309000233	Cable set	1



No.	Part No.	Code No.	Name	Qty
1	L105-524-000	21503000034	Sensor SW	2
2	L105-558-000	29710701003	Sensor board	2
3	L105-525-000	21503000053	Sensor SW(receive)	10
4	L105-526-000	21503000052	Sensor SW(send)	10
5	L105-502-000	23405000051	AC gear motor	2



No.	Part No.	Code No.	Name	Qty
1	L105-544-000	22601000005	Rocket SW (S)	1
2	L105-517-000	21902000006	Fuse socket	1
	L105-529-000	21901000013	Fuse	1
3	L105-545-000	22702000010	Fan net	4
	L105-546-000	22702010025	DC fan	2
4	L105-566-000	23201000001	Filter	1
5	L105-580-000	21412000001	Binding post	1

WIRING DIAGRAM

