



G4K Version



IMPORTANT



Be Sure
to Read this
Manual
Before Use



UNIS TECHNOLOGY

Operation Manual

WE ARE HERE TO ASSIST For parts and service



Have Questions? Contact us!

UNIS SERVICE CENTER

Tel: 972-241-4263

Email: service@unispartsandservice.com

www.unispartsandservice.com

When contacting Service, you will need the following information and the name of your authorized distributor.

Suitable for Indoor Use Only		Suitable for Indoor Use Only	
NAME: Jetball Alley 2P GMP(G4K)	MAX POWER: 350W	NAME: Jetball Alley 2P GMP(G4K)	MAX POWER: 350W
MODEL: C-677	MIN POWER: 300W	MODEL: C-677	MIN POWER: 300W
VOLTAGE: AC 110V ~	FREQUENCY: 50/60Hz	VOLTAGE: AC220V-240V~	FREQUENCY: 50/60Hz
S/N:	DATE:	S/N:	DATE:
Guangdong UNIS Technology Co.,Ltd.		Guangdong UNIS Technology Co.,Ltd.	

CONTENT

IMPORTANT SAFETY INSTRUCTIONS.....	3
1. SPECIFICATIONS.....	5
2. CONTENTS OF THE ACCESSORY KIT.....	7
3. PART NAME.....	8
4. SET UP & INSTALLATION.....	9
5.HOW TO PLAY.....	17
6. GAME OPTION.....	18
7. TROUBLESHOOTING.....	23
8.MAINTENANCE & INSPECTION.....	26
9.OVERALL CONSTRUCTION.....	31
10.WIRING DIAGRAM.....	61

Thank you for purchasing **Jetball Alley 2P GMP(G4K)**. We hope you enjoy the product.

This manual contains valuable information about how to operate and maintain your game machine properly and safely. It is intended for the owner and/or personnel in charge of product operation. Carefully read and understand the instructions.

If you need any help during installation and setup please utilize this manual and troubleshooting guide. If the product fails to function properly, *non-technical personnel should under no circumstance attempt to service the machine*. Contact your distributor or manufacturer for help.

Before use, please read **IMPORTANT SAFETY INSTRUCTIONS**.

IMPORTANT SAFETY INSTRUCTIONS

To ensure the safe usage of this product, carefully read and understand these instructions before operating your game.

Save these instructions for future reference.

Use this product only as described in this manual. Other uses not recommended may cause fire, electric shock or personal injury. Unplug the game from the outlet when not in use, when moving from one location to another, and before cleaning/servicing.

Explanations which require special attention are indicated by signs of warning. Depending on the potential hazardous degree, the terms: **NOTE**, **NOTICE**, and **WARNING** are used.

NOTE: A NOTE indicates useful hints or information about product usage.

NOTICE: A NOTICE indicates potential damage to product and how to avoid the problem.

WARNING: A WARNING indicates a potential for product damage or serious personal injury.

It is important to understand the meaning of the following HAZARD SIGNS before continuing:

High Voltage and Shock Hazard:

High voltage can cause electric shock.
Turn off/unplug power before servicing.



High Temperature Hazard:

This part may cause scalding.
Do not touch. Surface may be hot.



No Touching Hazard:

This part may be hot or can cause electric shock.
Do not touch.



Use the following safety guidelines to help ensure your own personal safety and to help protect your equipment and surrounding environment from potential damage.

⚠️ This product is an indoor game machine. Do not install outdoors.

Avoid installing in the following places to prevent fire, electric shock, injury and/or machine malfunctioning:

- Places subject to rain/moisture, or places subject to high humidity.
- Places subject to direct sunlight, or places subject to extremely hot or cold temperatures to ensure that it is used within the specified operating range.
- Places where inflammable gas may be present or in the vicinity of highly inflammable/volatile chemicals or items that can easily catch fire.
- On unstable or sloped surfaces. The machine may topple or cause unforeseen accidents.
- Vicinity of fire exits, fire extinguishers etc that may block/prevent safety measures.

IMPORTANT NOTE:

ALL REPAIRS MUST BE DONE TO ORIGINAL MANUFACTURER SPECIFICATIONS. FAILURE TO DO SO VOID ALL WARRANTIES AND OPERATOR ASSUMES ALL RISKS.

Note: The contents of this manual may be updated without notice.

1. SPECIFICATIONS

Rated power supply: AC110V~ 50/60Hz; AC220V-240V~ 50/60Hz

Min. Power consumption:750W

Max. Power consumption: 800W

Dimension: W57.65×D122.11×H98.68in

W1464.4×D3101.5×H2506.5 (mm)

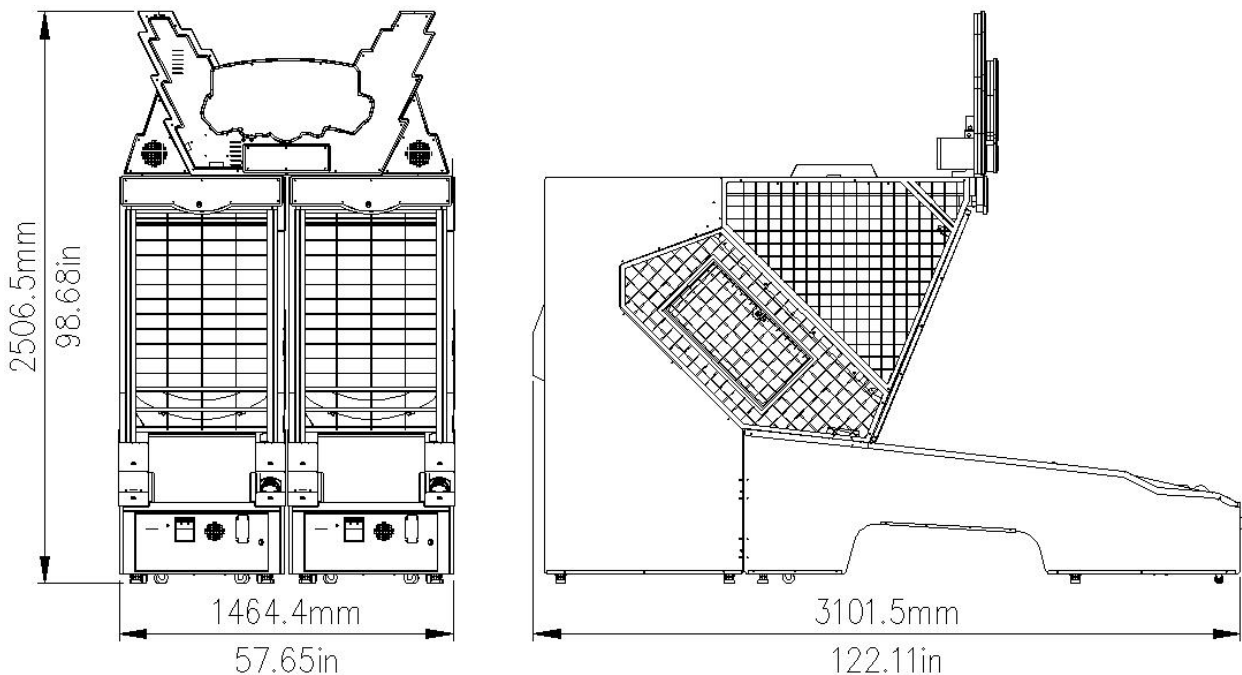
Weight: Approximately 1181.6 lb/536kg

Model No: C-677

Part No: J139



NOTICE: After turning off the game, please wait at least 1 minute before restarting again.

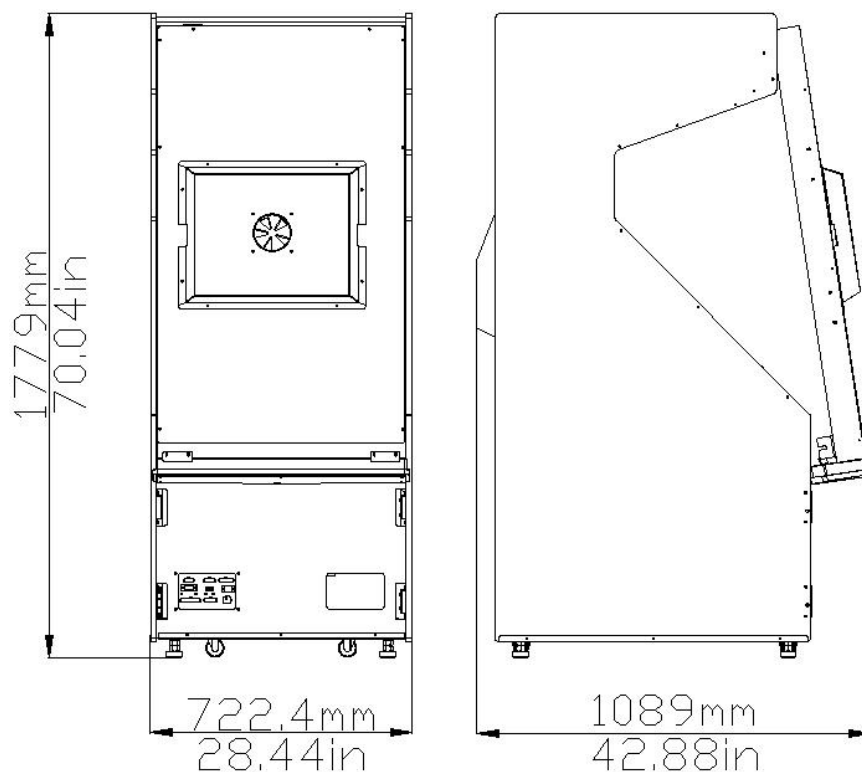


Note: Game specifications are subject to change without notice.

This machine will be divided into two parts during transportation.

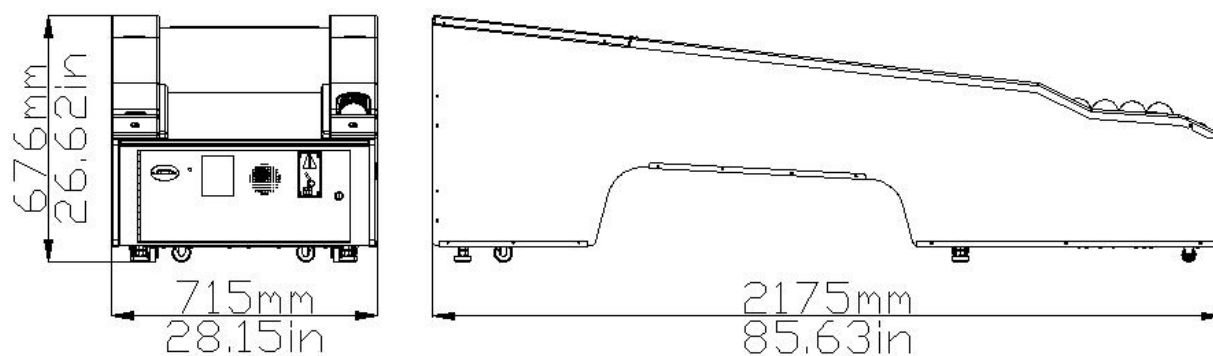
Back Cabinet: W28.44×D42.88×H70.04 in

W722.4 ×D1089 ×H1779 mm



Ally part: W28.15×D85.63×H26.62 in

W715 ×D2175 ×H676 mm



Note: Game specifications are subject to change without notice.

2. CONTENTS OF THE ACCESSORY KIT

Open the package and make sure all the items are included:

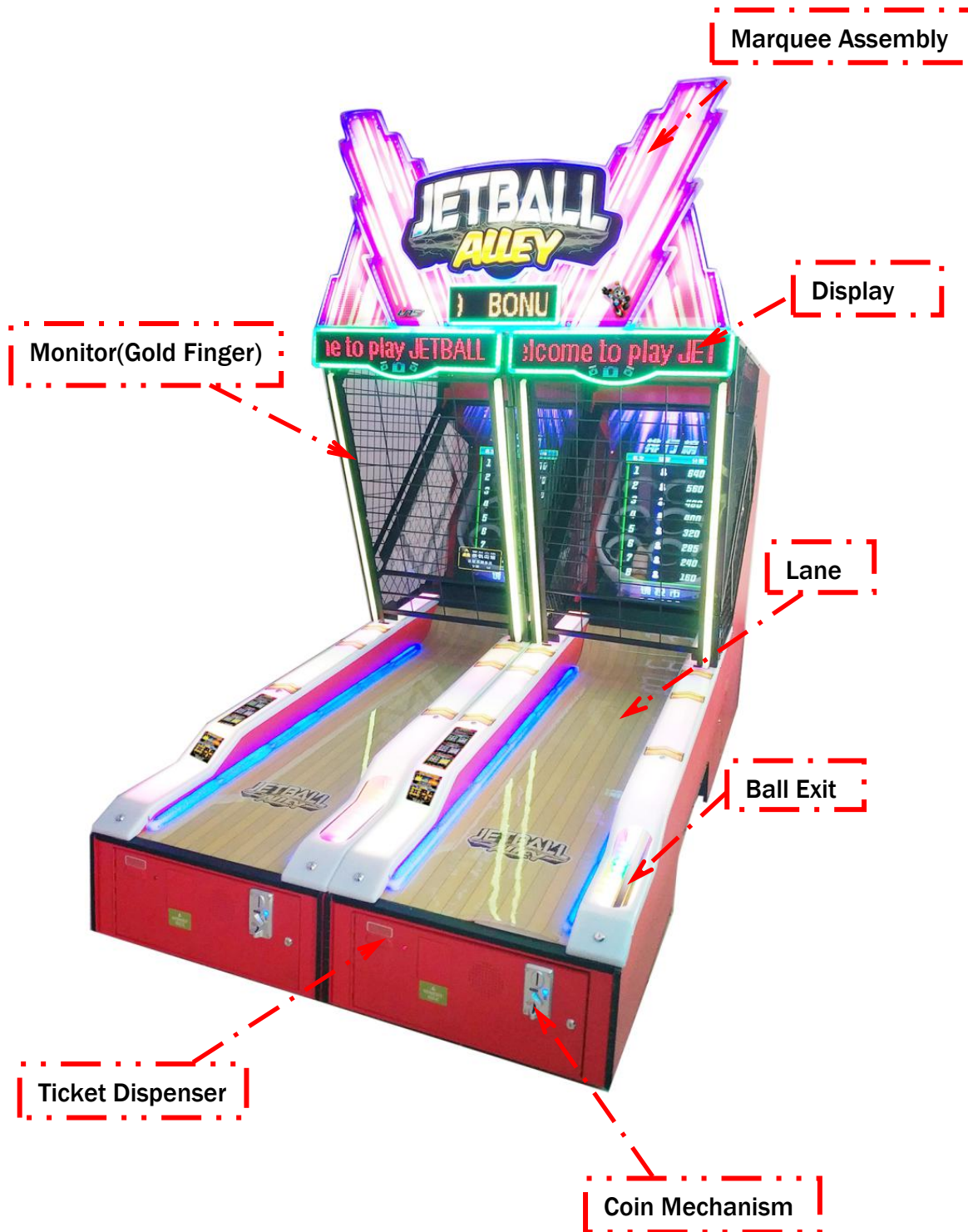
Following accessories

No.	Part No.	Code	Name	SPEC	Picture	Qty
1	J139-801-000	4.14.40000414	Manual	GMP		1
2	J139-802-000	25300171002	Key	171		2
3	J139-803-000	25300172002	Key	171B		2
4	J139-804-000	23301010020	Power cord	3×16AWG 1.8M		2
5	J139-424-000	21901000013	Fuse	Φ5×20mm T10A 250VAC		4
6	J139-805-000	40607000012	Allen wrench	CR-V5mm		2
7	J139-110-001	20611904A002	Ball	δ75 Red 3556C	/	12
8	J139-170-000	20211904047	Blanking plate	δ1.5 red 3556C		2
9	J139-705-000	20511904016	DBV decal	72X48		2

NOTE: Part models are subject to change without notice.

3. PART NAME

Key Components



4. SET UP & INSTALLATION

⚠ NOTICE

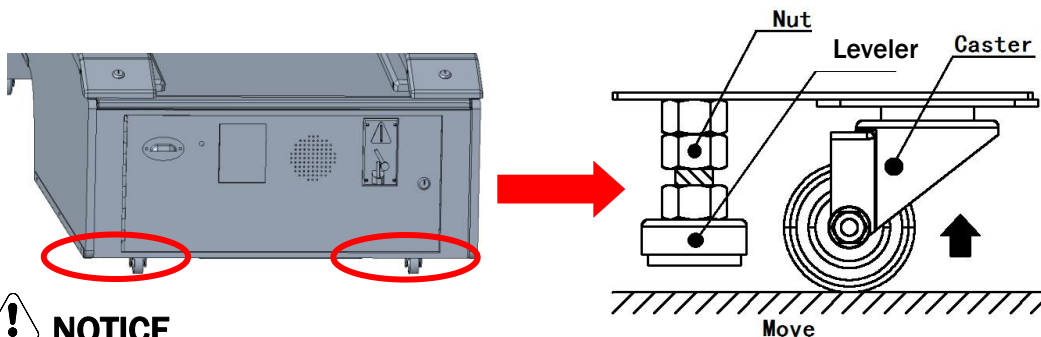
We do not recommend using power tools as they may cause damage.

⚠ **This product is an indoor game machine. Do not install outdoors.**

- Refer to IMPORTANT SAFETY INSTRUCTIONS (Pg. 3) for places to avoid.
- Place the unit on a dry level surface.
- Ventilation openings in the back of the unit must not be obstructed by objects or by wall.

4.1 Transporting the Game

If you need to move the game, adjust the levelers back to an “up” position.



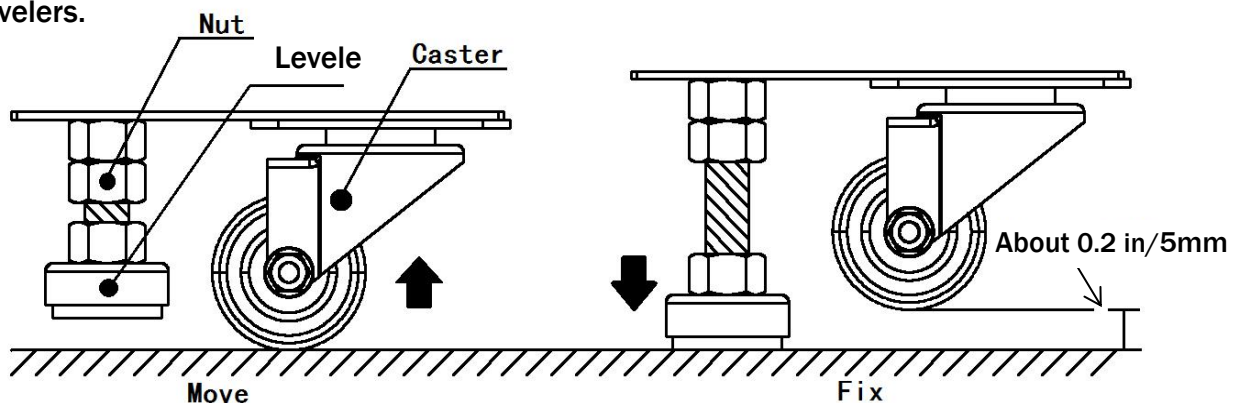
⚠ NOTICE

- Be careful not to damage the machine during transport.
- Always unplug the game before moving.
- Keep the machine in upright position during transport.
- For longer distance transport, package the game properly to prevent damages.

4.2 Level Adjustment

Install this game on a flat surface. If the game is installed on an unsuitable floor, it could cause game malfunction.

To secure the game, loosen the nut, utilize wrench to adjust the leveler down until it touches the floor, lifting the casters off the ground by 0.2 in/5mm. Repeat the same for all levelers.



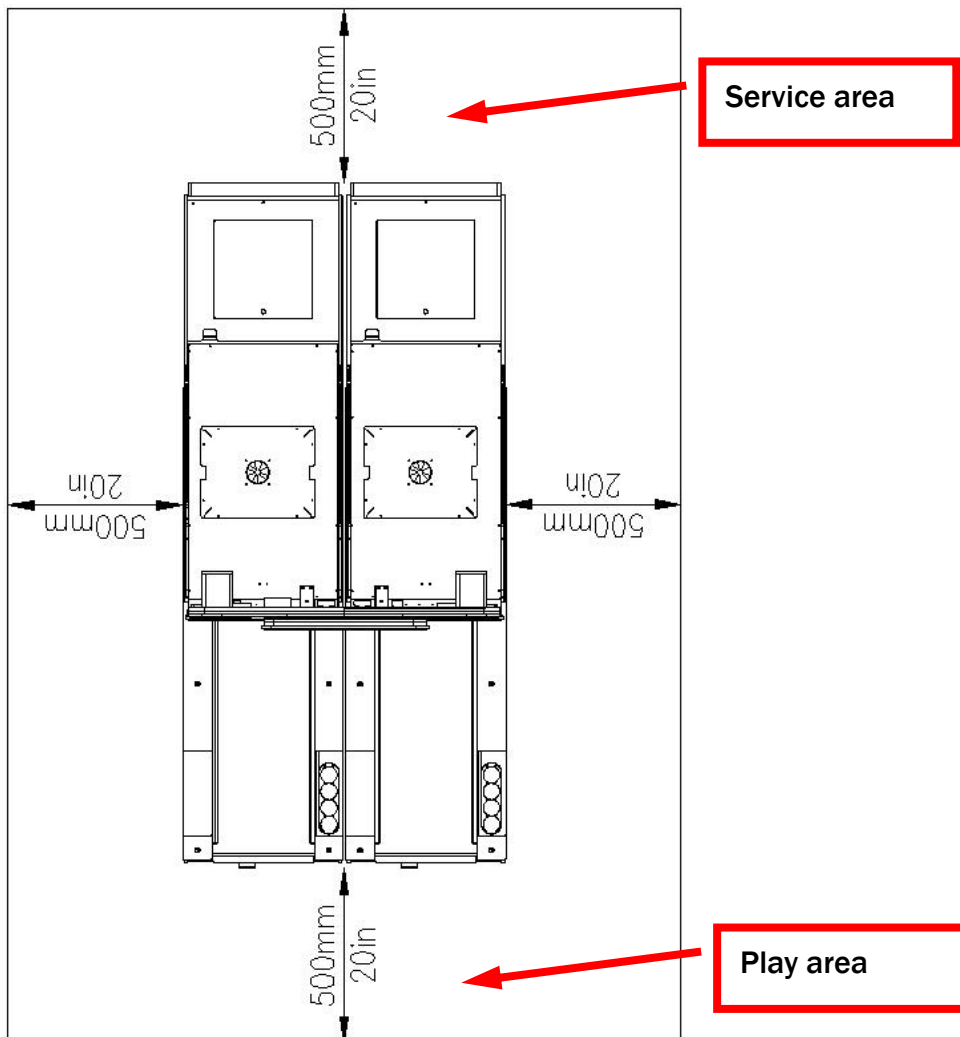
⚠ NOTICE

Make sure the machine is level.

4.3 Play Zone

This machine requires space for playing and for maintenance as shown below.
Leave space around the game upon installation:

Service area: 20 in

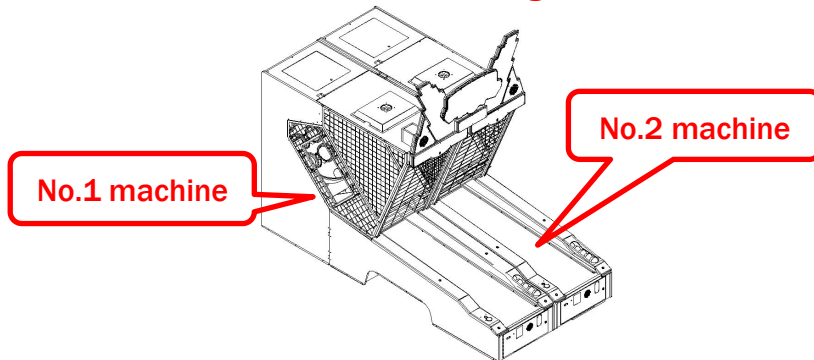


NOTICE




Your unit must be leveled to operate properly.

4.4 Machine Installation




Note: Machine without PC is No.1 machine. Machine with PC is No.2 machine. No.2 machine need to install on the right side.



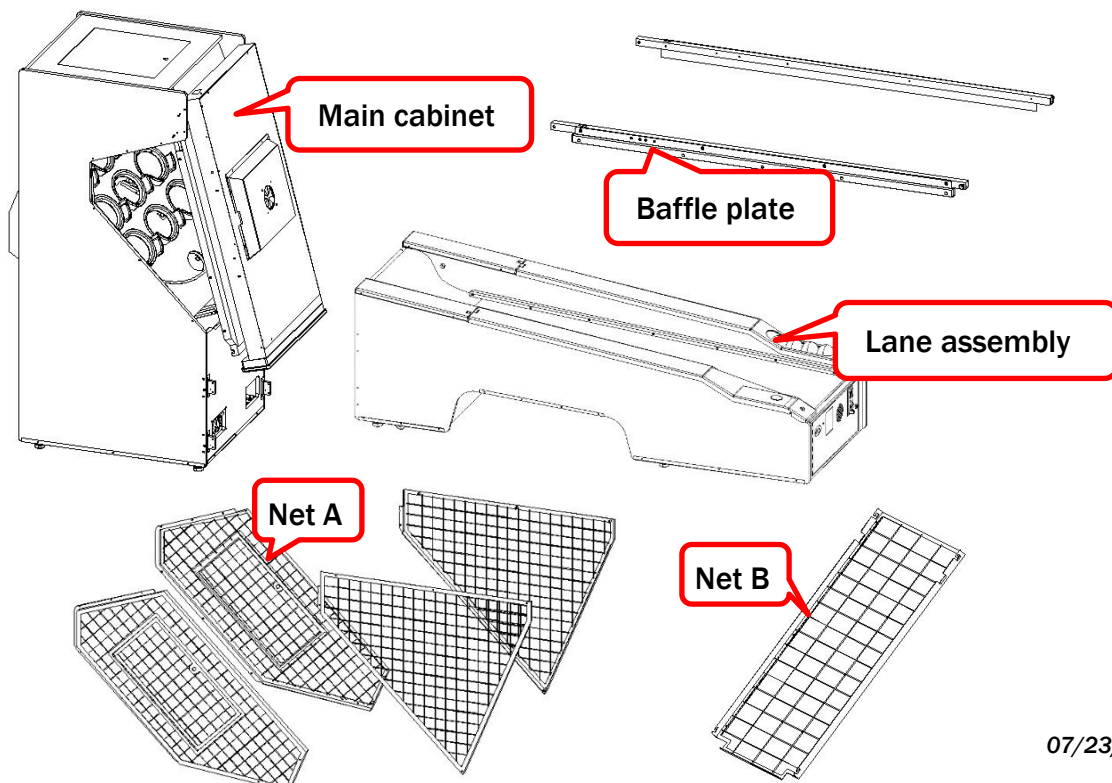
Before processing with assembly assure you have the following tools.

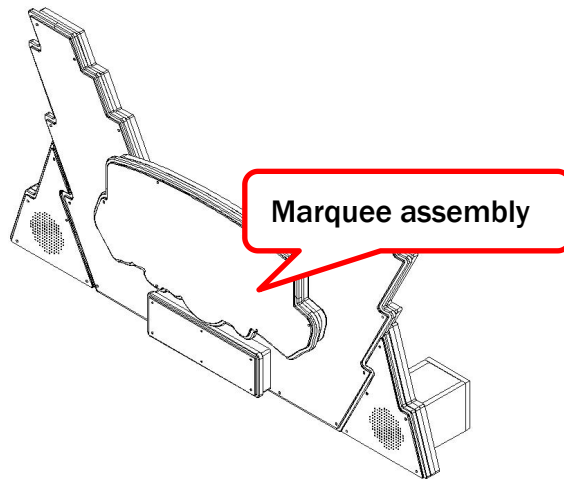
No.	Name	Picture
1	Phillips screwdriver	
2	Allen wrench	
3	Ladder	

Kit list:

No.	Name	Size	Qty	Picture
1	Cross recessed pan head screw	M4×20 black	28	
2	Cross recessed pan head screw	M4×35 black	12	
3	Cross recessed pan head screw	M4×25 black	12	

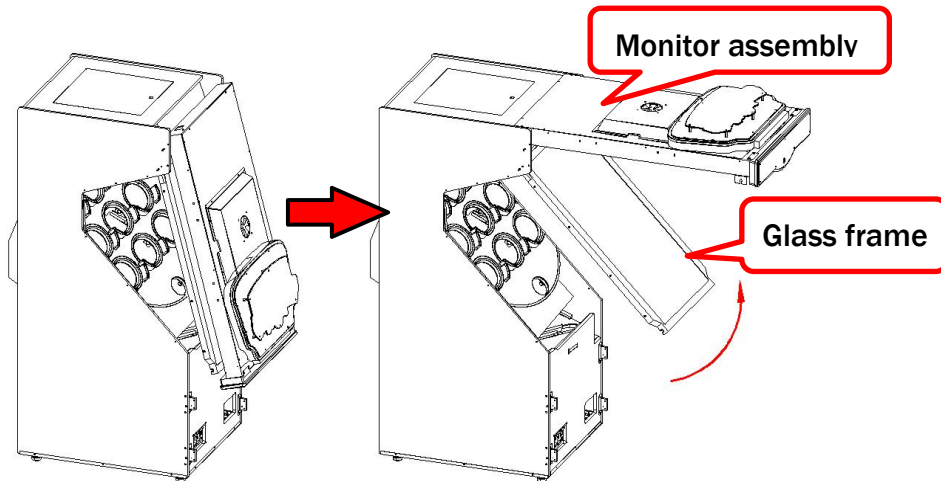
This machine is divided into 6 parts: Main cabinet(2 pcs); Lane assembly(2 pcs); Baffle frame(4 pcs); Net A(8 pcs); Net B(2 pcs); Marquee assembly(1 pcs); Please contact UNIS Service in case of any abnormality.





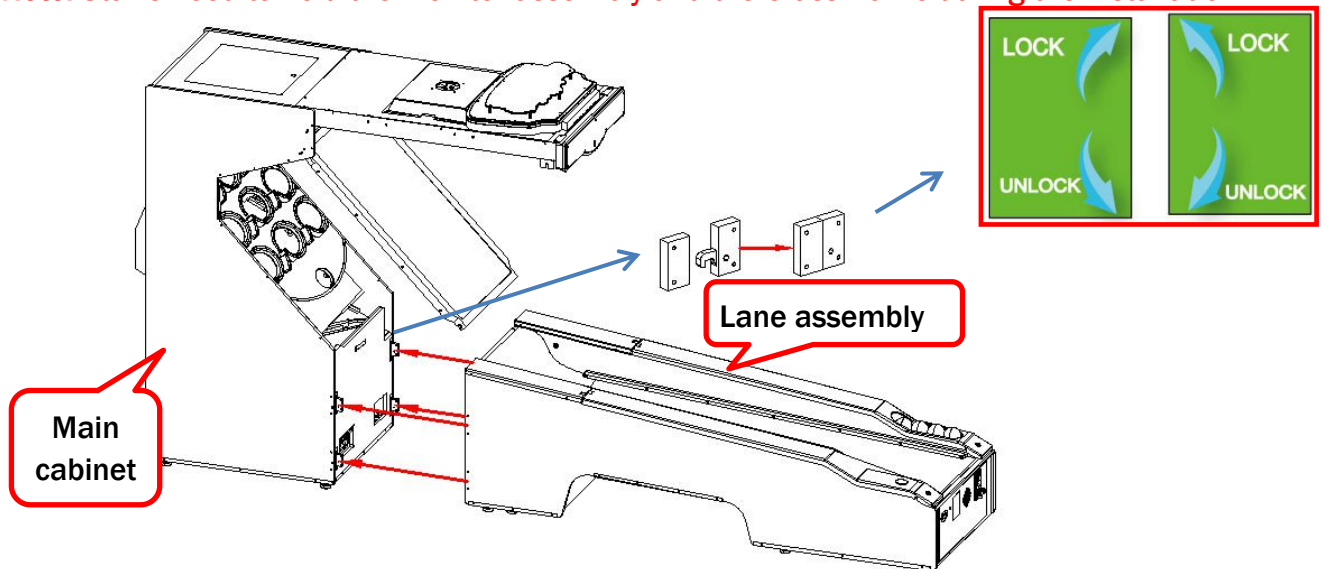
Step 1 Turn the Monitor assembly horizontal as shown below.
Turn the Glass frame to the position shown below.

Note: Staffs need to hold the Monitor assembly and the Glass frame during the installation.



Step 2 Align the Main cabinet with the Lane assembly. Utilize Allen wrench to lock the Main cabinet with the Lane assembly together as shown below.

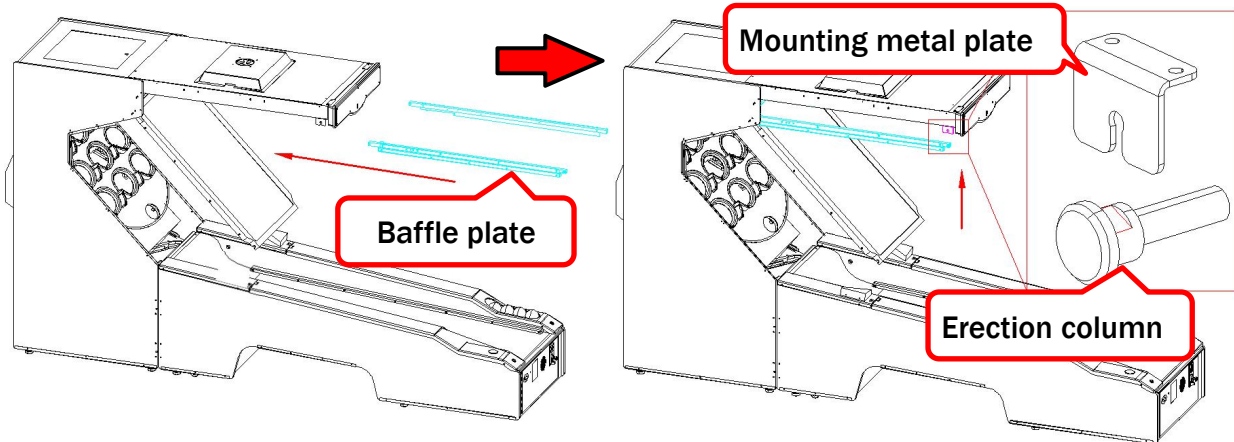
Note: Staffs need to hold the Monitor assembly and the Glass frame during the installation.



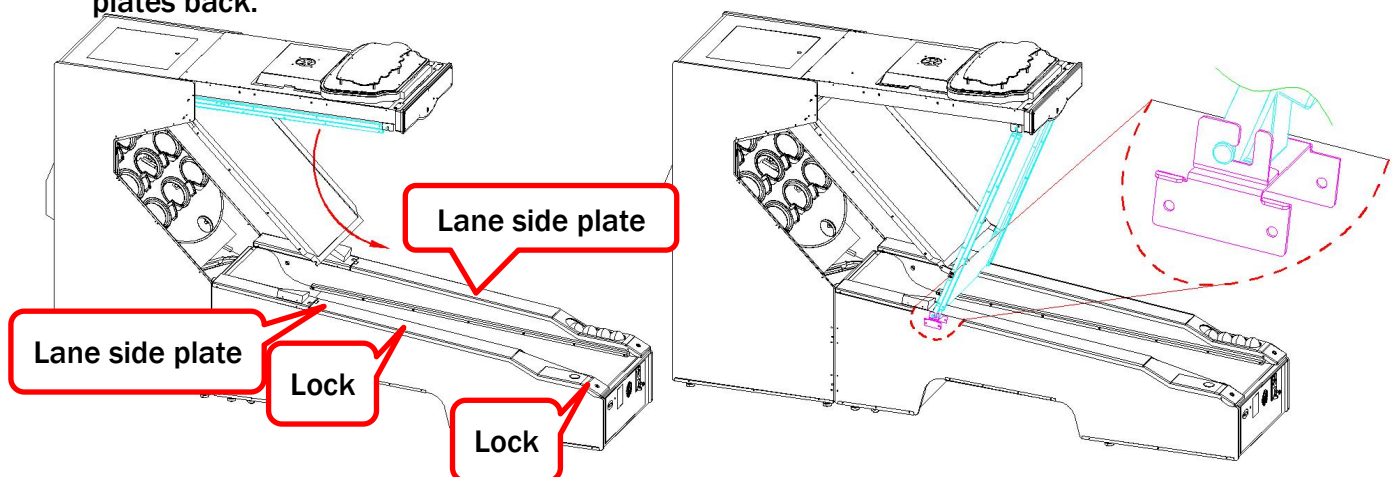
Step 3 Place the Baffle plates horizontally beneath the Monitor assembly and install the side indicated by oval to the Monitor assembly as shown below.

4 ends of the Baffle plates are with erection columns. Stick 2 erection columns in 2 mounting metal plates.

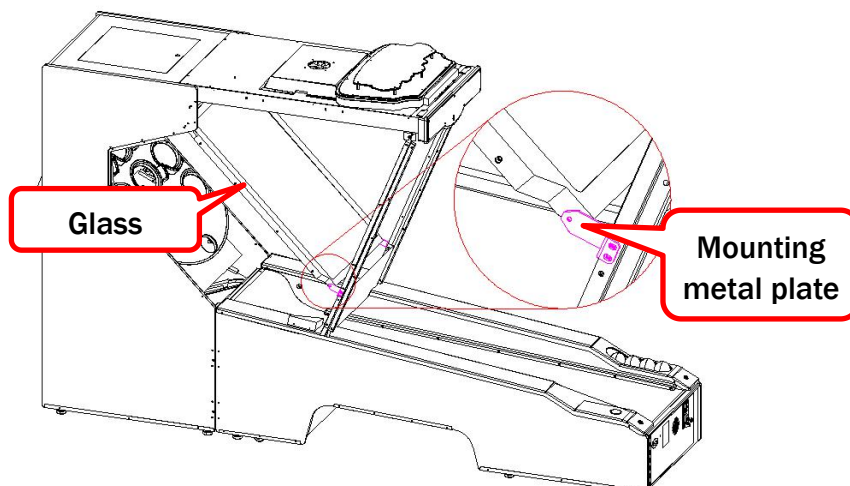
Note: Staffs need to hold the monitor assembly and the glass frame during the installation.



Step 4 Locate Lane assembly. Unlock and remove 2 Lane side plates. Locate Monitor assembly. Place the other side of the Baffle frame downward as shown below and stick 2 erection columns in 2 mounting metal plates on the Lane assembly. Install two lane side plates back.

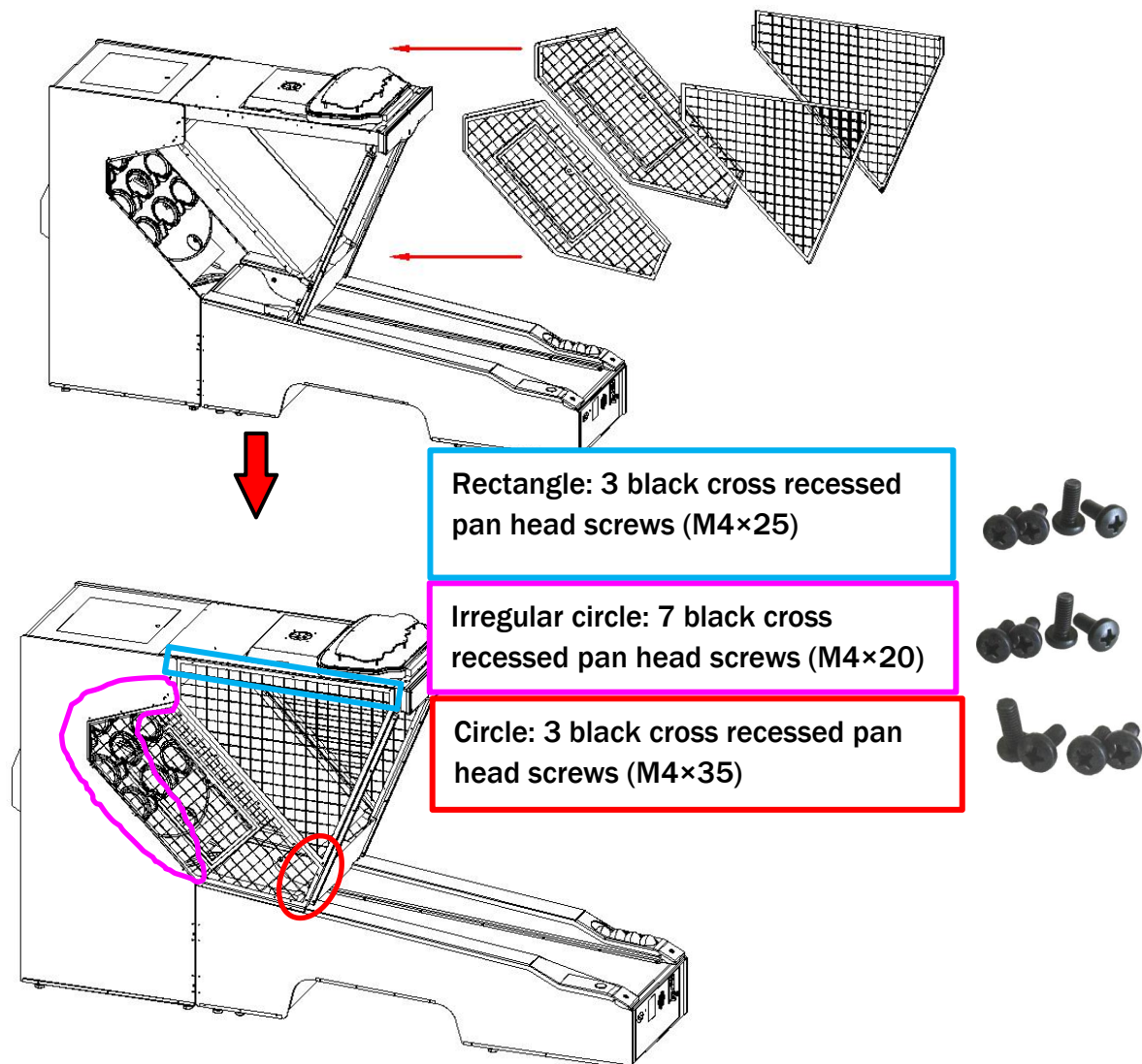


Step 5 Locate the Glass frame. Stick the Glass frame on the mounting metal plates screws and tighten the screws.

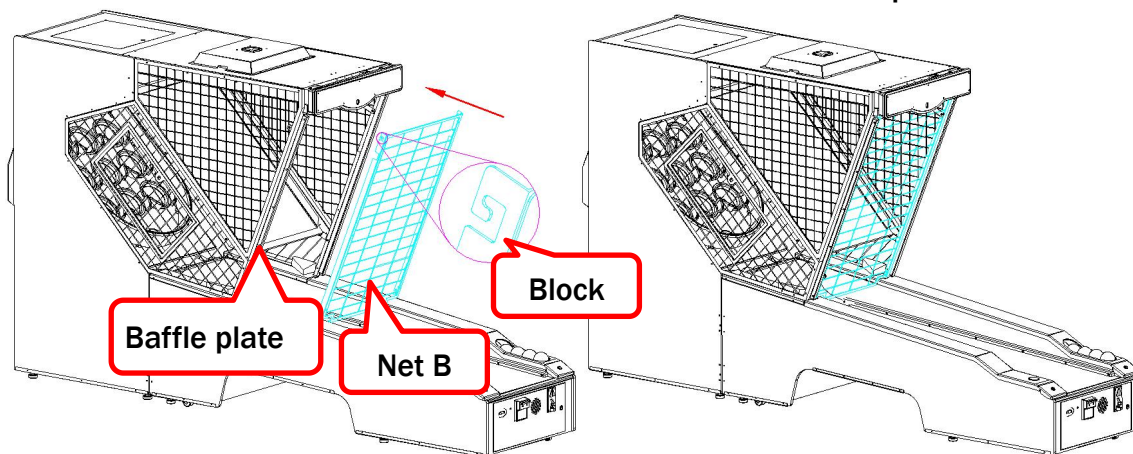


Step 6 Install 4 Nets on the machine. Utilize Phillips screwdriver to tighten screws to secure the Nets.

Note: Here is the number of screws used on one side, the other side is the same.






Step 7 Place Net B on the Baffle plate. 4 ends of the Net B are with blocks. Baffle plate screws are attached. Stick Net B block in 4 screws on the Baffle plate.



Note: It is the same method on the other machine.

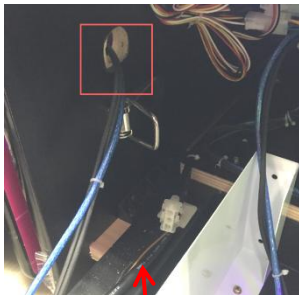
Machines Connection

Before processing with assembly assure you have the following tools.

No.	Name	Picture
1	Phillips screwdriver	
2	Ladder	
3	Allen wrench	

Step 1 Align two machines. Open 2 front doors. Connect L machine Cables through the hole to the PC on the R machine.

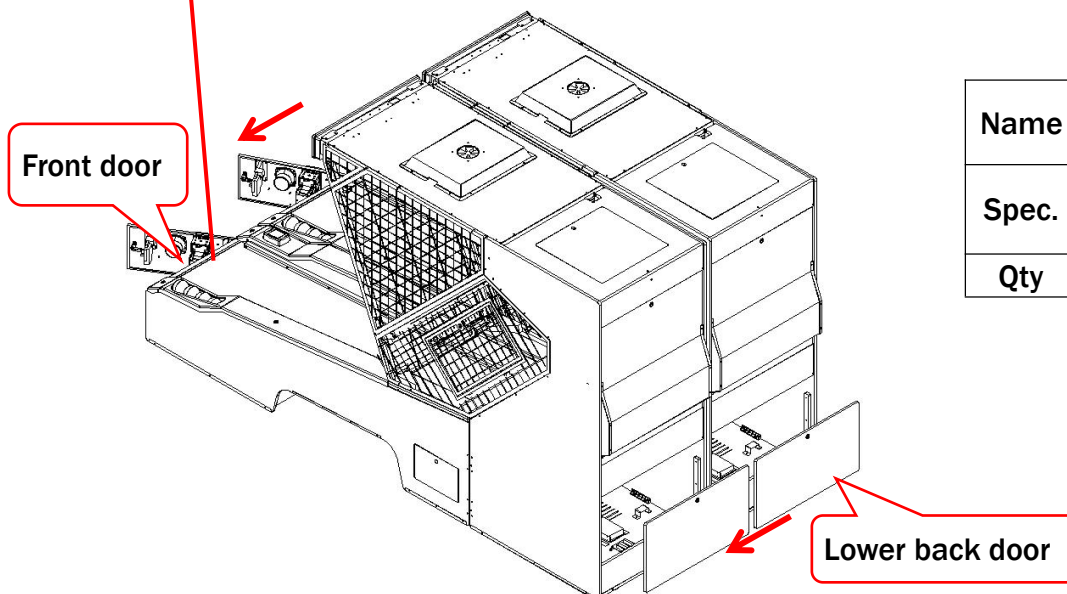
Step 2 To secure two machines on the back: Open the Lower back doors. Utilize Allen wrench to tighten 1 screws and 1 washer on the machine as small arrow's direction. To secure two machines on the front: Utilize Allen wrench to tighten 1 screw and 1 washer on the machine as small arrow's direction.



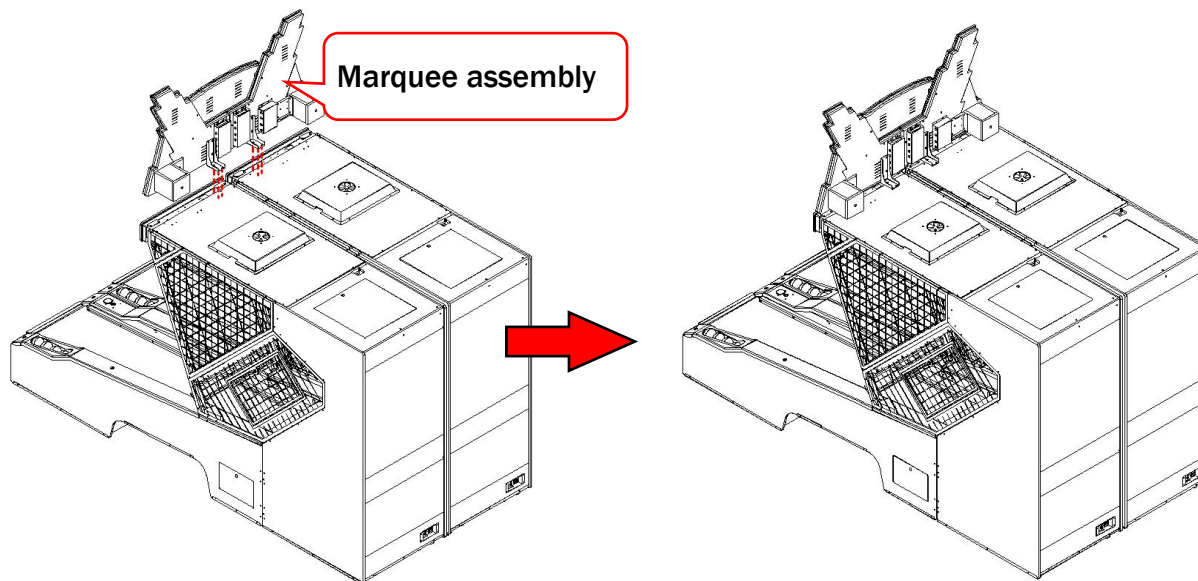
Name	Washer
Spec.	M6
Qty	2



Name	Cap hexagon socket screw
Spec.	M6×50
Qty	2



Step 3 Place Marquee assembly on the machine. Utilize Phillips screwdriver to tighten 14 cross recessed hexagon screw sets (M6×16) on the fixed brackets to secure the marquee. Connect the connectors.

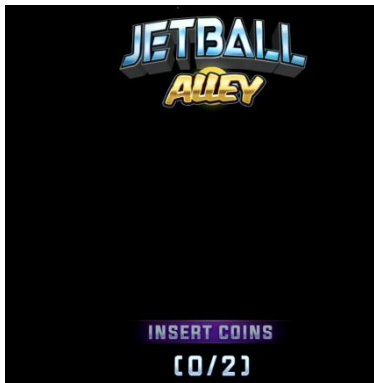


Name	Cross recessed hexagon screw set
Spec.	M6X16
Qty	14



5.HOW TO PLAY

5.1 Insert coins to play/Swipe card/
Insert cash to play.



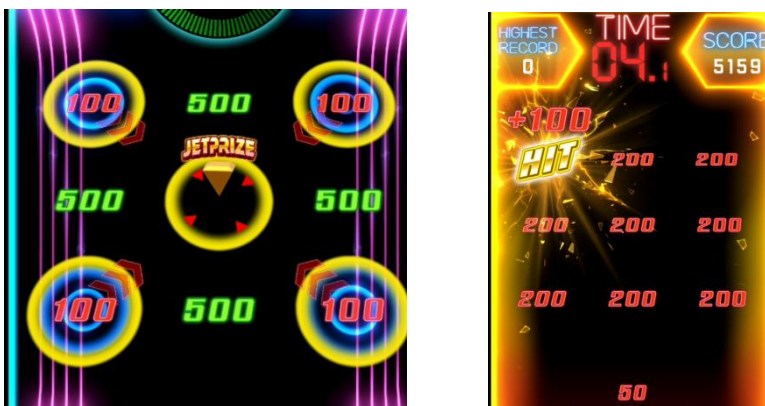
5.2 Roll the ball to hit the hole. The ball hits the hole and the player gets score.



5.3 Hit different holes and achieve different combinations(Combo;High Score Combo;Highest Score Combo). The higher combination, the higher reward.



5.4 Play the Highest Score Combo combination to enter the BULLET TIME.

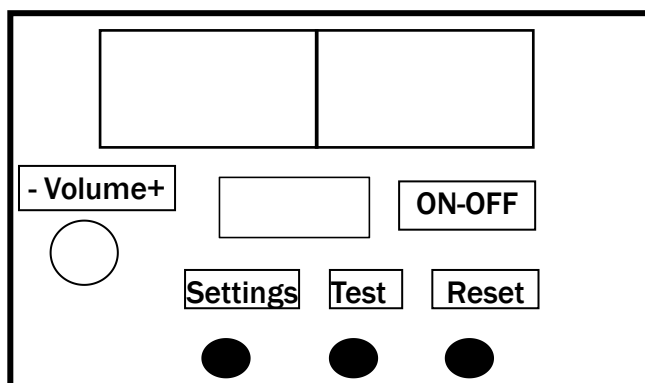


5.5 Reach the required score when time up can enter JETPRIZE round to get higher score and break the record!

5.6 Reach the required score when time up can get MEGA BONUS Ticket prize.

6. GAME OPTION

6.1 Adjustment button instruction



Open the coin door and there is a meter panel. Press Settings button to enter the setting menu.

6.2 Setting menu

6.2.1 Main menu

Options
Basic Setting
Customized Setting
Ticket Setting
Calibration
Input Test
Output Test
Game Reset
Date/Time Setting
Language/语言
Bookkeeping
Daily Record
About This Game
Back to Game

6.2.2 Basic Setting

Options	Adjustment Value
Memory Save	ON/OFF
Free Play	ON/OFF
Coins Per Game	1-100
Pay Mode	Coins/Card/Insert Coins /Tap card
Attract Mode	ON/OFF
Volume	1-10
Back&Save	
Back	

6.2.3 Customized Setting

Options	Adjustment Value	Instruction
Photo Restore	ON/OFF	Save photo or not
Photo Time	1_3_5_10	
Game Time	30_45_60_75_90	
Basic Score	10_20_30_40_50	Game start hole score
Bottom Hole Score	0_5	Base bottom hole score
Combo Multiple	3_4_5_6_7_8_9_10	Combo score
High Score Combo Multiple	5_10_15_20_25_30_35_40_45_50	High Score Combo score
Highest Score Combo	10_20_30_40_50_60_70_80_90_100	Highest Score Combo score
Bullet Time Basic Score	10_20_30_40_50_60_70_80_90_100	
Bullet Time Increasing Score	5_10_15_20_25_30_35_40_45_50	
JetPrize Round1 Score	500_600_700_800_900_1000_1500_2000	
JetPrize Round2 Score	500_600_700_800_900_1000_1500_2000_2500_3000	
JetPrize Round3 Score	500_600_700_800_900_1000_1500_2000_2500_3000_3500_4000_4500_5000	
Back&Save		
Back		

6.2.4 Ticket Setting

Options	Adjustment Value	Instruction
Ticket Out	OFF_ON	
Divided by 2	OFF_ON	2 tickets equals 1 ticket
Out Of Ticket	Store in memory_Call Attendant	
Normal Ticket Setting		
Mega Bonus Ticket Setting		
Back&Save		
Back		

6.2.4.1 Normal Ticket Setting

Options	Adjustment Value
Ticket Mode	Base On Point_Fixed Ticket_Base On Stage
Mercy Ticket	0_1_2_3_4_5
Score Per Ticket	10_20_30_40_50_100_150_200_250_300_350_400_450_500_600_700_800_900_1000
Fixed Ticket	1_2_3_4_5_6_7_8_9_10_20_30_40_50_60_70_80_90_100_150_200_250_300_350_400_450_500_600_700_800_900_1000
Stage 1 Point Range	50_100_500_1000_1500_2000_3000_4000_5000
Stage 1 Ticket	1_2_3_4_5_6_7_8_9_10_20_30_40_50_60_70_80_90_100
Stage 2 Point Range	100_500_1000_1500_2000_3000_4000_5000_6000_8000_10000
Stage 2 Ticket	1_2_3_4_5_6_7_8_9_10_20_30_40_50_60_70_80_90_100_150_200
Stage 3 Point Range	500_1000_1500_2000_3000_4000_5000_6000_8000_10000_12000_15000
Stage 3 Ticket	1_2_3_4_5_6_7_8_9_10_20_30_40_50_60_70_80_90_100_150_200_250_300
Stage 4 Point Range	1000_1500_2000_3000_4000_5000_6000_8000_10000_12000_15000_20000
Stage 4 Ticket	1_2_3_4_5_6_7_8_9_10_20_30_40_50_60_70_80_90_100_150_200_250_300_350_400_450_500
Stage 5 Point Range	2000_3000_4000_5000_6000_8000_10000_12000_15000_20000_25000_30000
Stage 5 Ticket	1_2_3_4_5_6_7_8_9_10_20_30_40_50_60_70_80_90_100_150_200_250_300_350_400_450_500_600_700_800_900_1000
Back&Save	
Back	

6.2.4.2 Mega Bonus Ticket Setting

Options	Adjustment Value
Mega Bonus Score	1000_1500_2000_2500_3000_3500_4000_4500_5000_6000_7000_8000_9000_10000_20000_30000_40000_50000
Mega Bonus Ticket(One Player)	10_20_30_40_50_60_70_80_90_100
Mega Bonus Ticket(Two Players)	10_20_30_40_50_60_70_80_90_100_150_200
Back&Save	
Back	

6.2.5 Calibration

Options	Adjustment Value
Flip Horizontally	Screen Flip Horizontally
Flip Vertically	Screen Flip Vertically
Marquee Monitor Flip Horizontally	
Marquee Monitor Flip Vertically	
Monitor Calibration	
Web Cam Calibration	
Back&Save	
Back	

6.2.6 Input Test

Options	Adjustment Value	Instruction
Hole Sensor 1	OFF_ON	Press Settings button to test in order
Hole Sensor 2	OFF_ON	
Hole Sensor 3	OFF_ON	
Hole Sensor 4	OFF_ON	
Hole Sensor 5	OFF_ON	
Hole Sensor 6	OFF_ON	
Hole Sensor 7	OFF_ON	
Hole Sensor 8	OFF_ON	
Hole Sensor 9	OFF_ON	
Hole Sensor 10	OFF_ON	
Ball Track Sensor 1	OFF_ON	
Ball Track Sensor 2	OFF_ON	
Ball Out Sensor	OFF_ON	
Ball Gate Sensor	OFF_ON	
Insert Coin	OFF_ON	Insert coins to test.
Insert Cash	OFF_ON	Insert cash to test.
Ticket Out	OFF_ON	
Ticket Feedback	OFF_ON	
Ticket Out Finish	OFF_ON	
Ticket Dispenser Fault	OFF_ON	
Back	OFF_ON	

6.2.7 Output Test

Options
Ball Gate
Display
Ticket Out
Track Light
Hole 1 Light

Options
Hole 2 Light
Hole 3 Light
Hole 4 Light
Hole 5 Light
Hole 6 Light

Options
Hole 7 Light
Hole 8 Light
Hole 9 Light
Hole 10 Light
Back

6.2.8 Game Reset

Options
Factory Restore
Reset Basic Setting
Reset Customized Setting
Clear All Records
Clear Owed Ticket
Clear Unused Coin
Back

6.2.9 Date/Time Setting

Options
Year
Month
Day
Hour(24)
Minute
Second
Back&Save
Back

6.2.10 Bookkeeping

Player1	Coins	Tickets	Payout
1	0	0	0.00
NON RESETTABLE POINTS NON RESETTABLE TICKETS Back			

6.2.11 Daily Record

Date	Weekday	RunTime	Coins	Tickets	Payout
2014-06-06	Fri	00:01	0	0	0.00
Clear Back					

6.2.12 About This Game

Options
Press Settings Button to Back
MainBoard
HDD
RAM
Monitor
Screen
Version

7. TROUBLESHOOTING


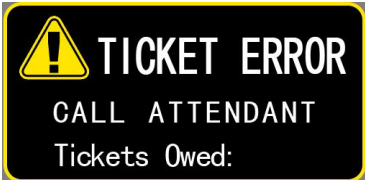

7.1 Common Problem

Please confirm that all connectors fit tightly.

Symptom	Possible Cause	Recommended action
Game will not start	Frame assembly connector is loose.	Check connector.
	Frame assembly fault	Contact with UNIS Service.
Power off	Circuit protector make power SW in off state.	Turn on power SW again. If appeared again and again, machine has anomaly. Please contact with UNIS Service.
Card reader not working	The connector is loose.	Check connector.
	Card reader fault.	Check with card reader manufacturer.
No ticket dispensing	Out of ticket.	Add ticket and press reset button
	Ticket jamming.	Remove the jammed tickets and press reset button.
	The connector is loose.	Plug the connector tightly.
No sound	Low volume	Raise the volume.
	Connector loose.	Check connector.
	Speaker fault.	Check speaker.
	POT installation error.	Install POT correctly.
	POT fault.	Change POT.
	Audio cable problem.	Reconnect the audio cable or change it.
	PC crash.	Restart or system recovery.
Display black screen	Check connectors.	Plug in connector tightly
	Display fault.	Utilize another source such as a PC to verify if the display is operational.
	RAM is loose.	Remove and reinsert RAM.
Display blue screen	PC power cord is loose	Check PC power cord whether is loose.
	VGA signal cable is loose.	Check VGA cable
	PC video card is loose.	Reseat video card.
	"0X000000A" code appears. Conflict between computer drive and software.	Contact service

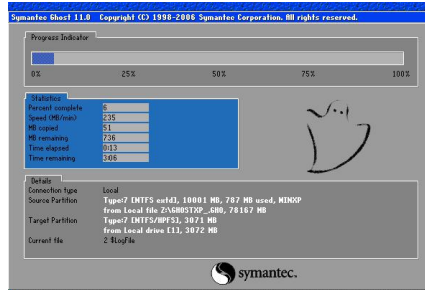
Note: After replacing component from pc (except for RAM), and replacing monitor, the game should be recovered again with the recovery stick attached to the machine.

If you see following error signs showing on the display, please try the recommended action.

Display	Possible Cause	Recommended action
	The connection part of the IO board and PC are loose.	Check and reconnect the loose ports of the PC or IO board.
	Cable quality problem	Change the cable after checking the connection between IO board and PC.
	Cable became loose during transportation.	Check and reconnect the loose cables of the PC or IO board.
	IO board is faulty.	Reboot the game after checking connection and cable problem, if the problem remains unresolved, please call the service department for assistance.
	Out of ticket.	Refill ticket
	Loose connection of the ticket dispenser's cables.	Check and reconnect the loose cables to the ticket dispenser.
	Ticket dispenser is faulty.	Change the ticket dispenser.
	Ticket jam.	Remove jammed tickets.
	Out of ticket.	Refill ticket

7.2 System Recovery Operation **(NOTE: Do not disconnect power during this process.)**

1. Turn off the game. Remove the recovery stick from the machine. (Note: This process may take up to 60 minutes) Insert the recovery stick into the port at the back of the computer.
2. Restart PC to enter the system recovery screen as shown.



3. The game will automatically start recovery.
4. Once system recovery is partially finished (as shown below), and the ICON appears, remove the recovery stick from the computer. The game will continue the install process.

OK to remove the recovery stick.



5. Assure that the recovery stick has been properly secured for future use.



WARNING: The recovery stick should only be used to fix software errors. Using it for other purposes may cause unexpected results and damages.

8.MAINTENANCE & INSPECTION

8.1 Safety Check

Check the points listed before operating the machine. These checks are necessary for safe machine operation:

1. Test game before operation each day.
2. Conduct monthly routine checks of game components to ensure good working condition.
3. Check the machine regularly for dust and clean when necessary.

Note: Parts and components require preventative maintenance to maintain proper operation.

8.2 Handling Precautions

When installing or inspecting the machine, be very careful and pay attention to ensure that the player can enjoy the game safely.


Inappropriate handling running counter to the cautionary matters can cause personal injury or damage to the machine.

 **NOTICE**

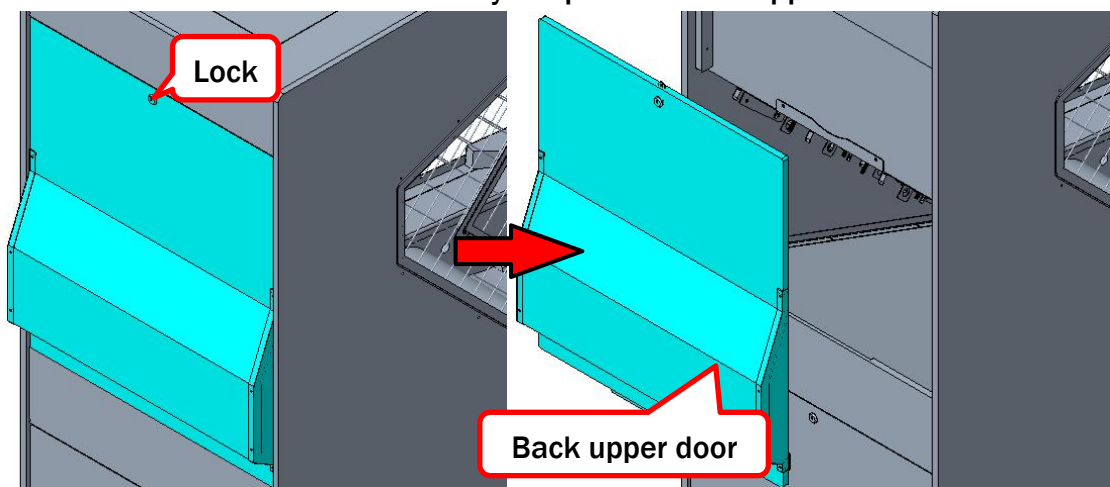
We do not recommend using power tools as they may cause damage.

8.3 Sensor Light Board Replacement Instruction

Before processing the following steps, assure you have the following tools.

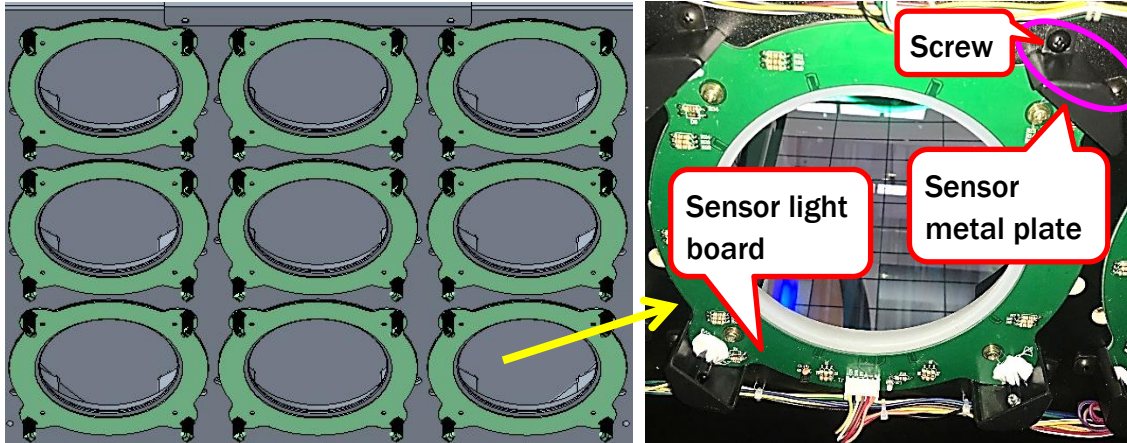
No.	Name	Picture
1	Phillips screwdriver	

1. Power off the machine. Utilize key to open the Back upper door.

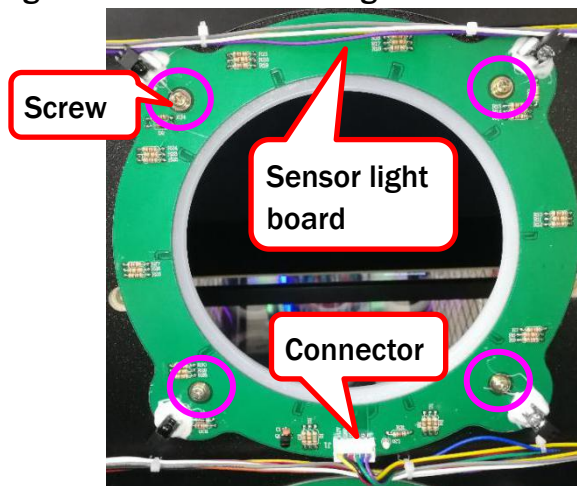


2. Locate Sensor light board. Utilize Phillips screwdriver to loosen 2 screws on the Sensor metal plate. Take Sensor metal plate off.

Note: It is the same installation method on the other three Sensor metal plates.



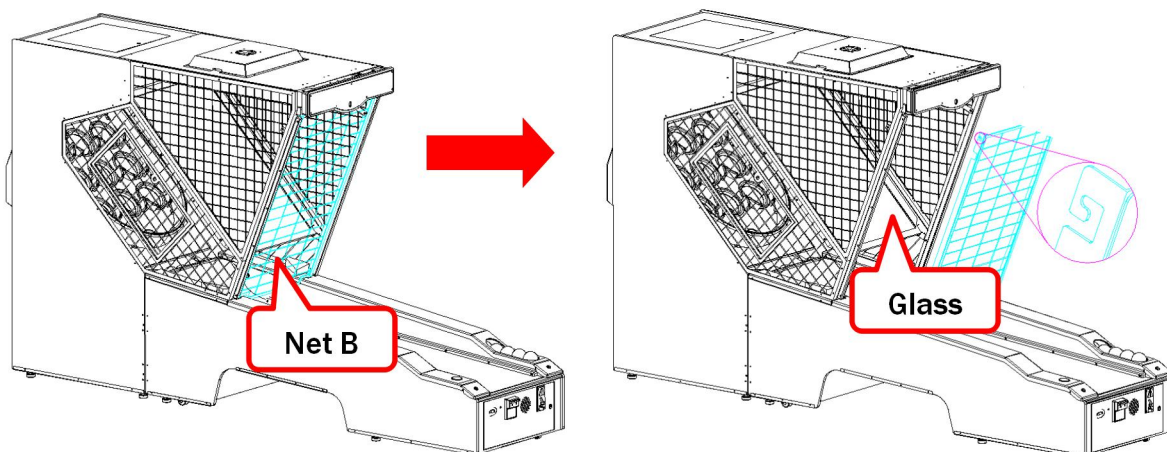
3. Unplug the Sensor light board connector. Utilize Phillips screwdriver to loosen 4 screws on the Sensor light board. Take Sensor light board off.



4. Replace with the new Sensor light board and install it in reversed order.
Note: It is the same installation method on the rest of Sensor metal board.

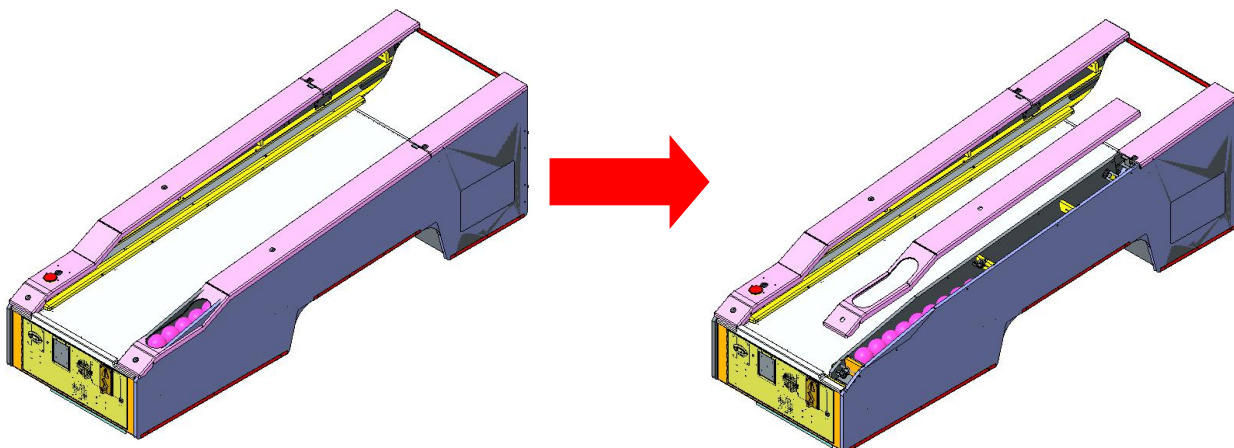
8.4 Glass Cleaning Instruction

Power off the machine. Utilize Phillips screwdriver to loosen the screw on Net B to remove Net B. Utilize non-woven fabric with water to clean the Glass.

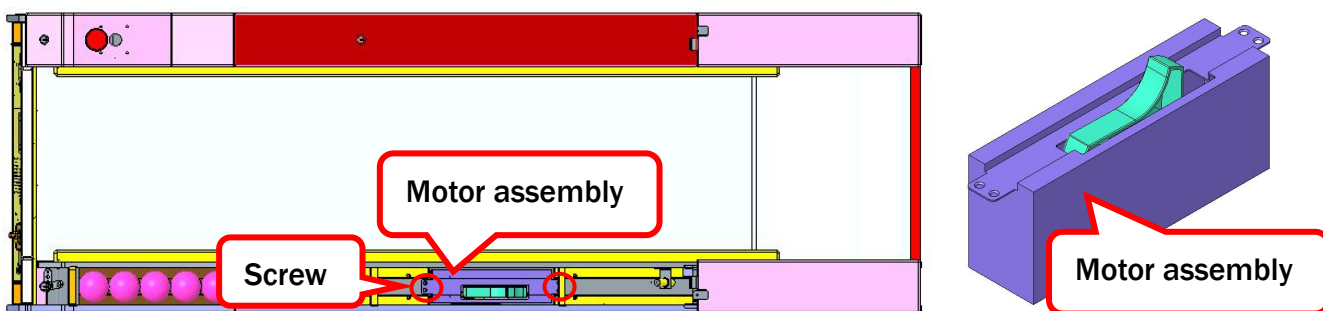


8.5 Motor Replacement Instruction

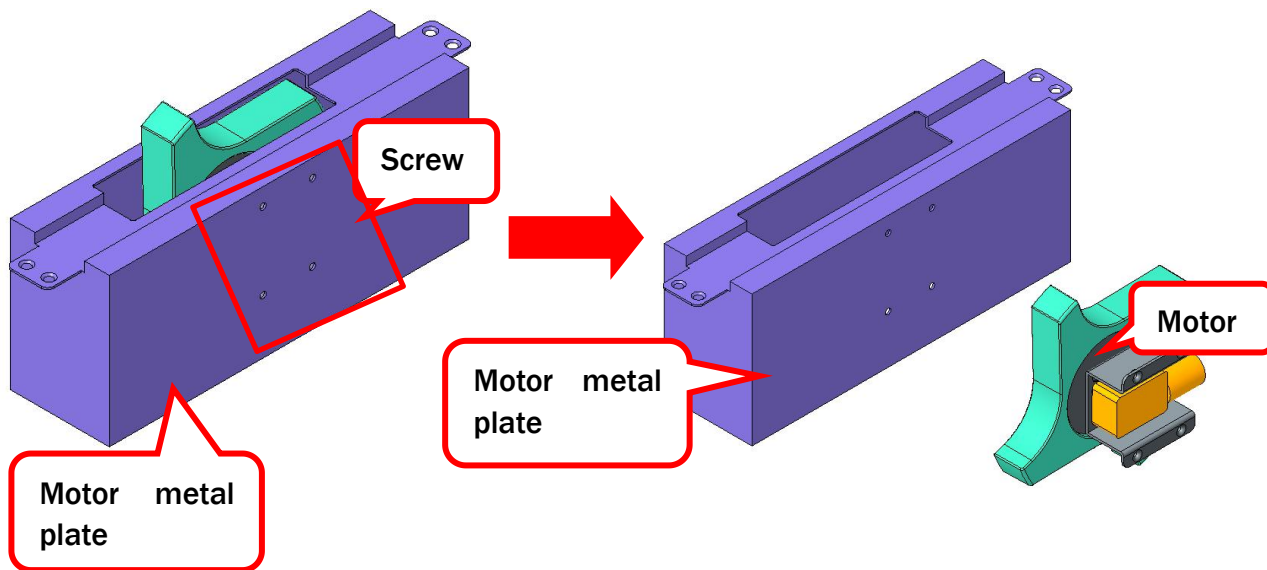
1. Power off the machine. Utilize Keys to open the Ball track cover.



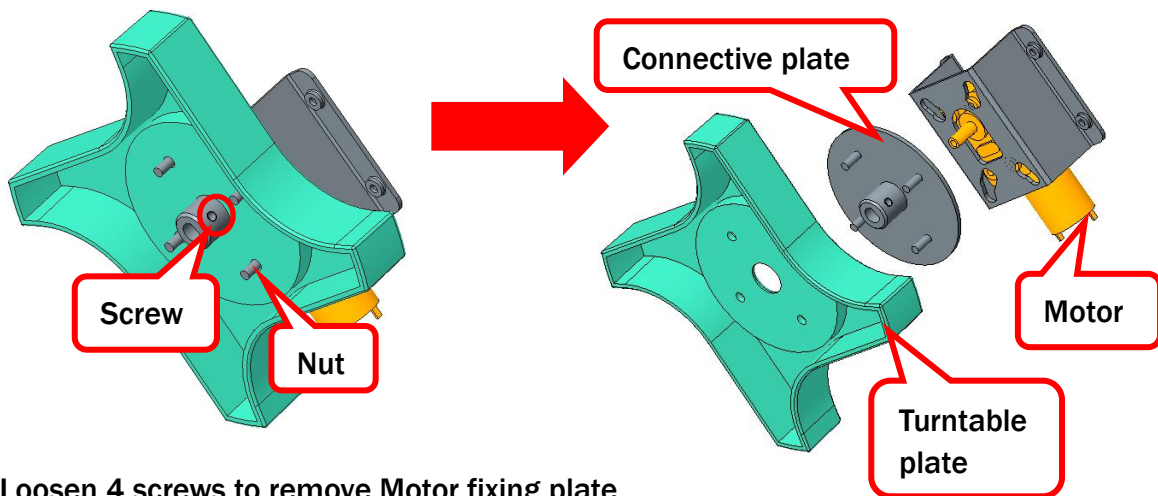
2. Locate the Motor assembly. Unplug the motor connector. Utilize Phillips screwdriver to loosen the screws to remove Motor assembly.



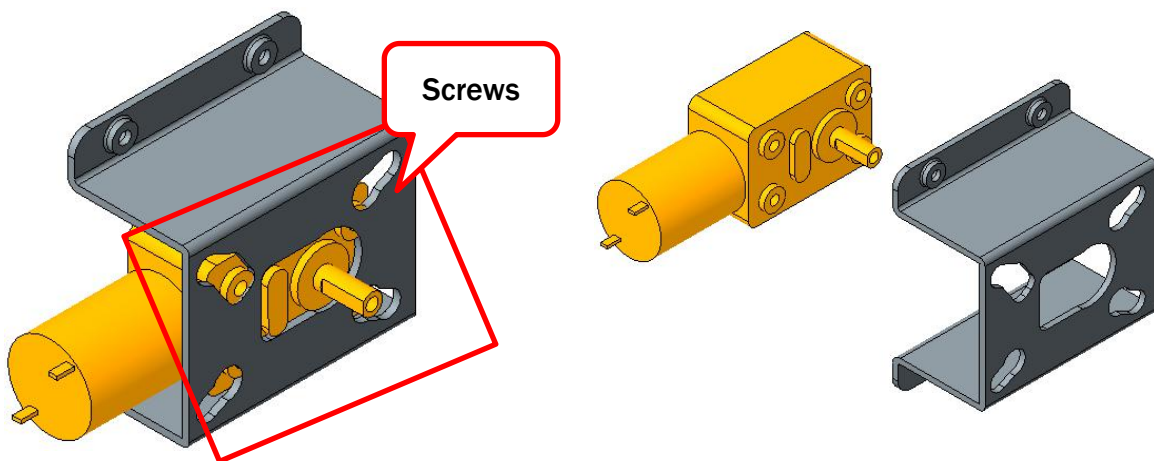
3. Loosen 4 screws to remove Motor metal plate.



4. Utilize Phillips screwdriver to loosen screw and utilize Socket to loosen 4 nuts to remove Turntable plate and Connective plate.



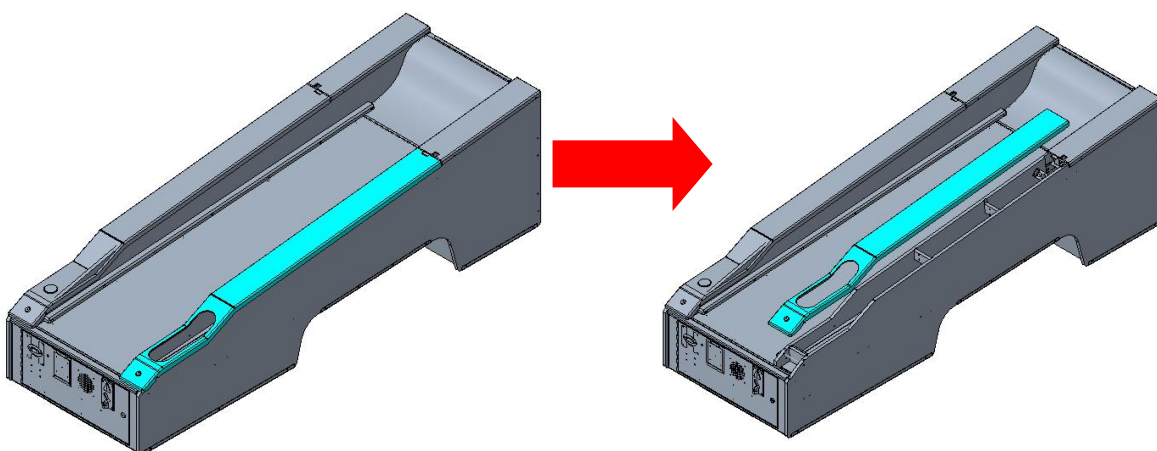
5. Loosen 4 screws to remove Motor fixing plate



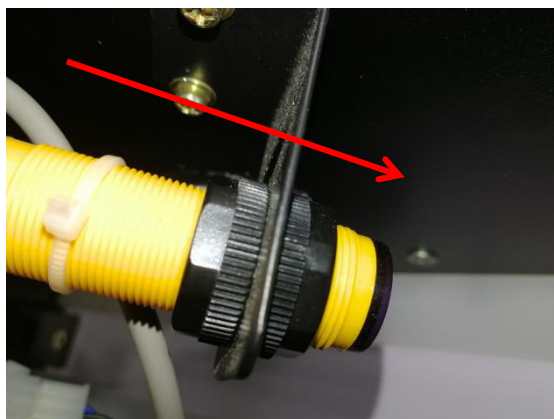
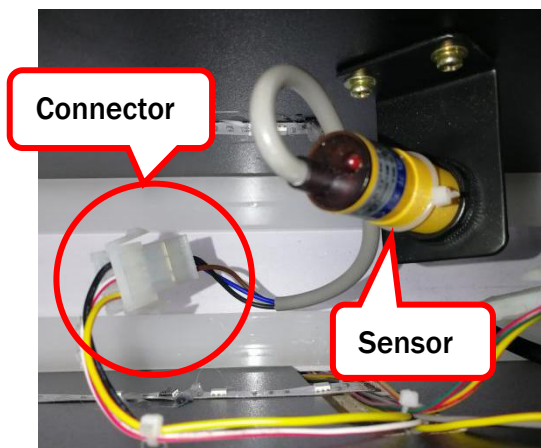
6. Replace with a new Motor and install it in reversed order.

8.6 Sensor Replacement Instruction

1. Power off the machine. Utilize Keys to open the Ball track cover.



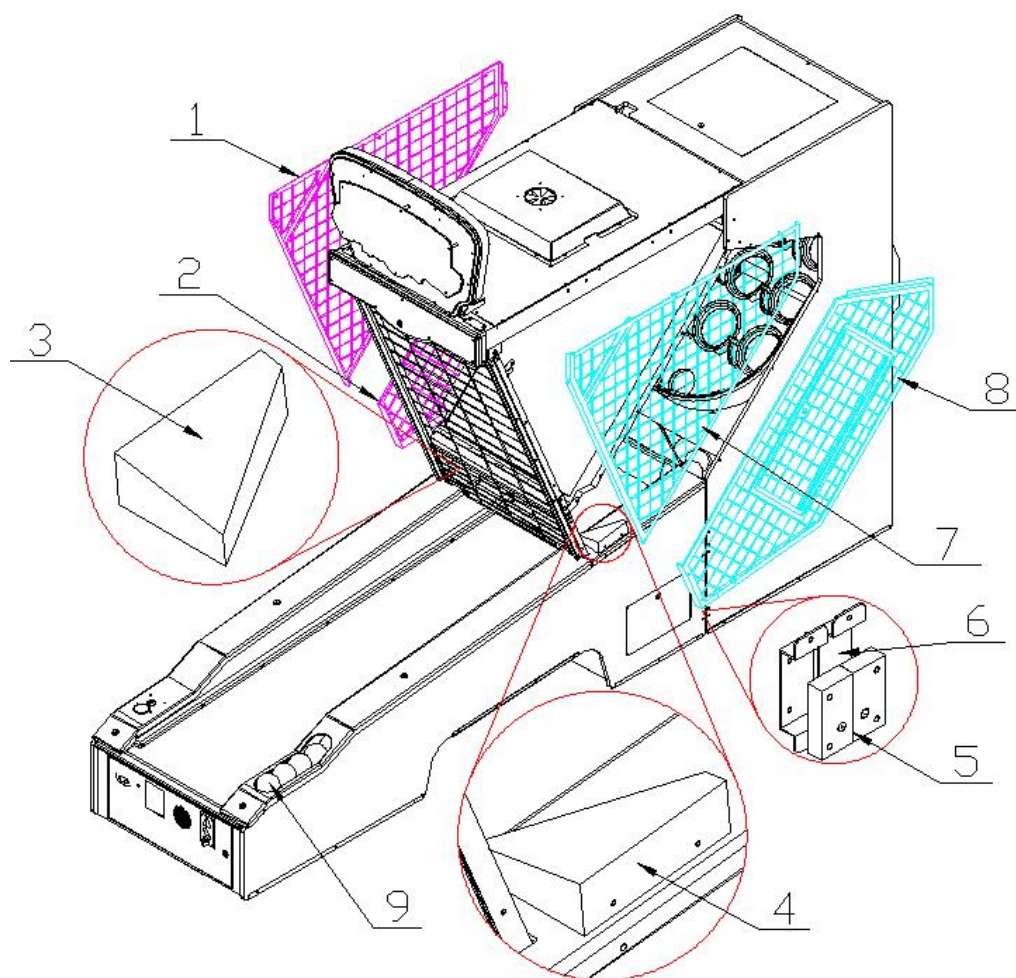
2. Locate the Sensor. Unplug Sensor connector. Twist the sensor to remove sensor as arrow direction.



3. Replace with the new Sensor and install it in reversed order.

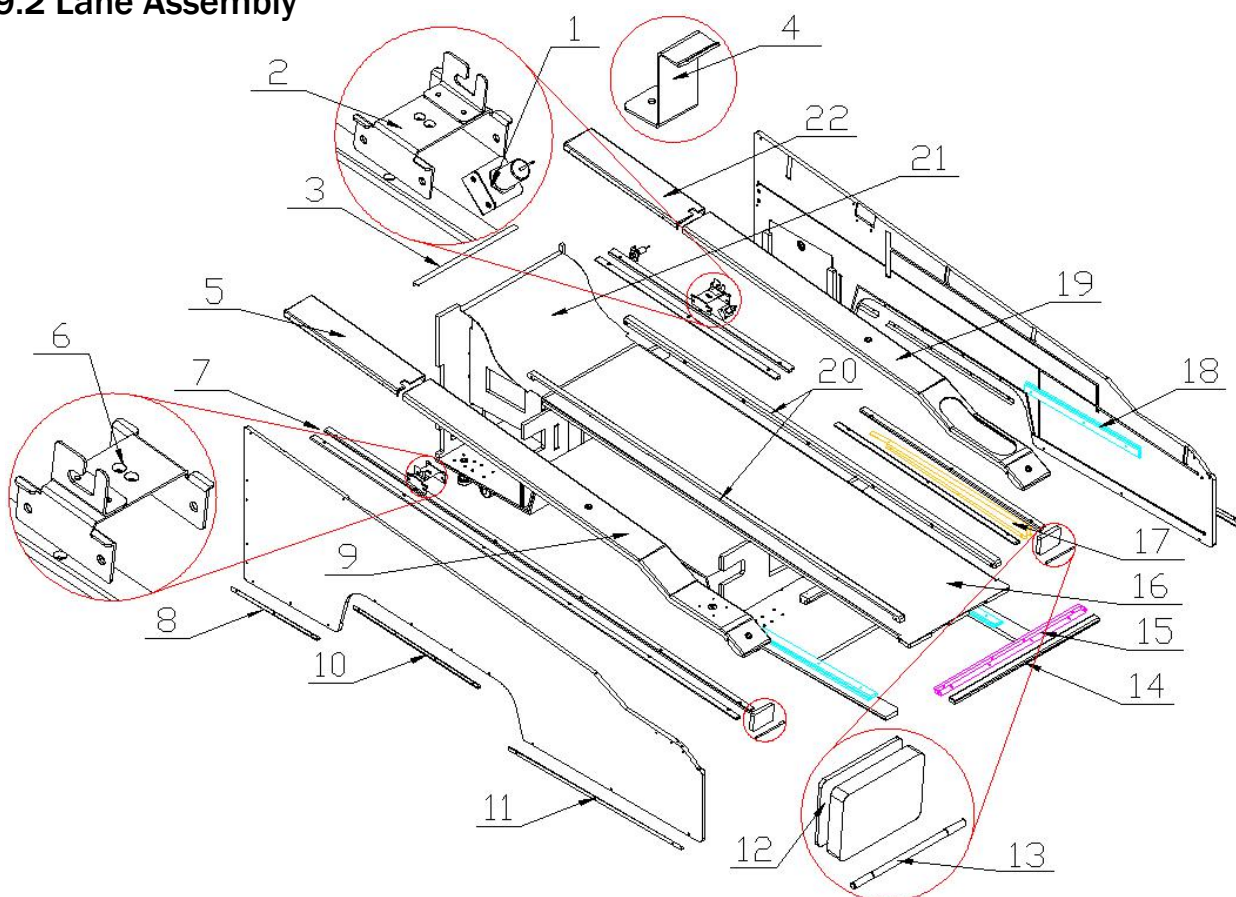
9.OVERALL CONSTRUCTION

9.1 General Assembly



No.	Part No.	Code No.	Name	Version	Qty
1	J139-106-000	20211904005	L up net	1.1	1×2
2	J139-104-001	20211904A006	L bottom net	1.1	1×2
	J139-406-000	25300171001	171 Lock	1.1	1×2
3	J139-107-000	20211904007	L triangle plate	1.1	1×2
4	J139-108-000	20211904008	R triangle plate	1.1	1×2
5	J139-405-000	25300000148	R5 lock	1.1	4×2
6	J139-109-000	20211904009	Lock pressing plate	1.1	8×2
7	J139-105-000	20211904004	R up net	1.1	1×2
8	J139-103-001	20211904A005	R bottom net	1.1	1×2
	J139-406-000	25300171001	171 Lock	1.1	1×2
9	J139-110-001	20611904A002	Ball	1.1	6×2

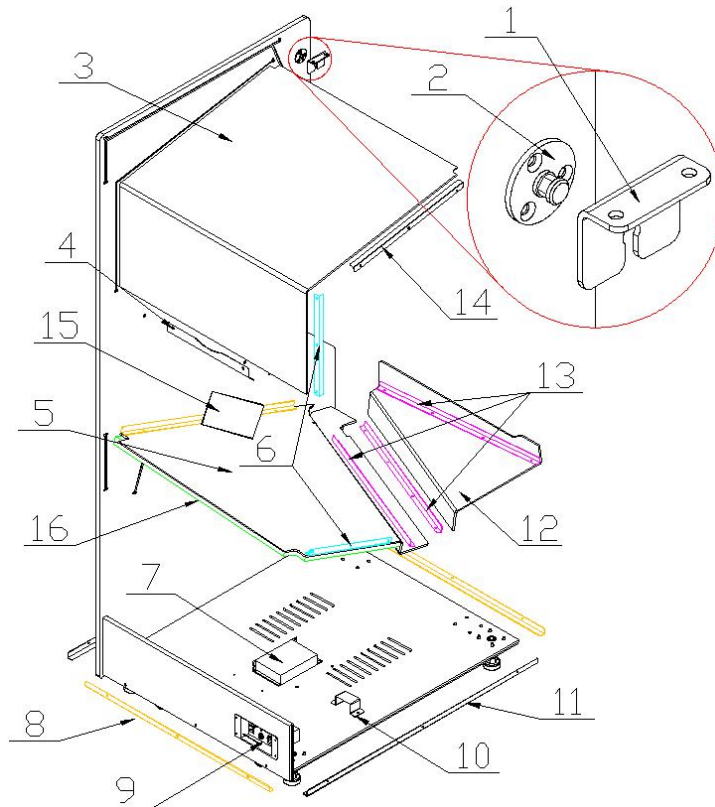
9.2 Lane Assembly



No.	Part No.	Code No.	Name	Version	Qty
1	J139-199-000	20211904082	Sensor fixing plate B	1.1	1×2
2	J139-187-000	20211904059	R supporting plate	1.1	1×2
3	J139-196-001	202.1.1904.063/1	Protective plate G	1.1	1×2
4	J139-195-000	20211904062	Cover locating plate	1.1	1×2
5	J139-190-000	20611904006	L back cover plate	1.1	1×2
6	J139-186-000	20211904058	L supporting plate	1.1	1×2
7	J139-162-000	20611904011	Lane side plastic 2	1.1	4×2
8	J139-172-000	20211904049	Protective plate D	1.1	2×2
9	J139-189-000	20611904005	L cover plate	1.1	1×2
	J139-406-000	25300171001	171 Lock	1.1	2×2
10	J139-173-000	20211904050	Protective plate E	1.1	2×2
11	J139-185-000	20211904057	Protective plate F	1.1	2×2
12	J139-197-000	20611904020	Cover buffer EVA	1.1	1×2
13	J139-198-000	20211904075	Lane axle	1.1	2×2
14	J139-174-001	20641925A007	Protect plate	1.1	1×2
15	J139-193-000	20211904060	Bottom plate	1.1	1×2

No.	Part No.	Code No.	Name	Version	Qty
16	J139-702-002	20511904021	Lane plastic	1.1	1×2
17	J139-194-000	20211904061A	Ball plate	1.1	1×2
18	J139-414-000	25105000014	Sliding rail	1.1	3×2
19	J139-188-000	20611904004	Ball track cover	1.1	1×2
	J139-406-000	25300171001	171 Lock	1.1	2×2
20	J139-160-000	20611904010A	Lane side plastic 1	1.1	2×2
21	J139-192-000	20611904008	Lane front plate	1.1	1×2
22	J139-191-000	20611904007	R back cover plate	1.1	1×2

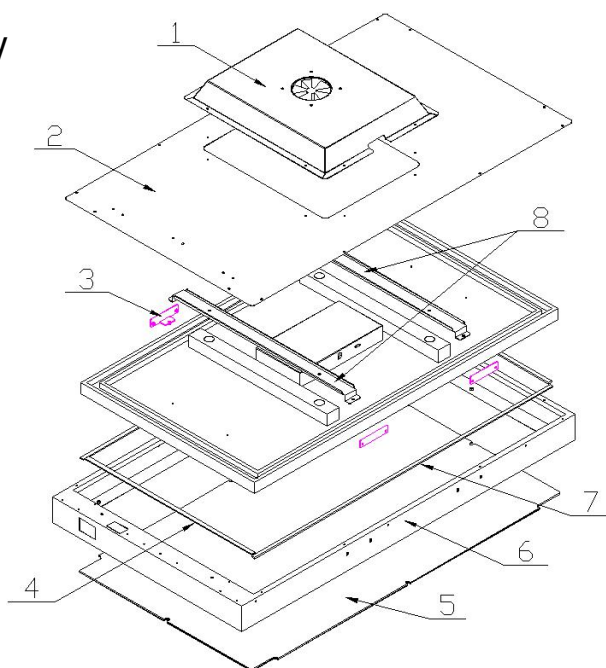
9.3 Cabinet Assembly



No.	Part No.	Code No.	Name	Version	Qty
1	J139-116-000	20211904014	Axle fixing plate	1.1	4×2
2	J139-141-000	202.1.1904.091	Fixing plate	1.1	2×2
3	J139-158-000	20611904019A	Top foam	1.1	1×2
4	J139-143-000	20211904030	Ball hole fixing plate	1.1	1×2
5	J139-149-001	20611904A001	Foam	1.1	1×2
6	J139-157-000	20211904038	Protective plate C	1.1	3×2
7	J139-228-000	26000001000D	Power supply bracket	1.1	1×2

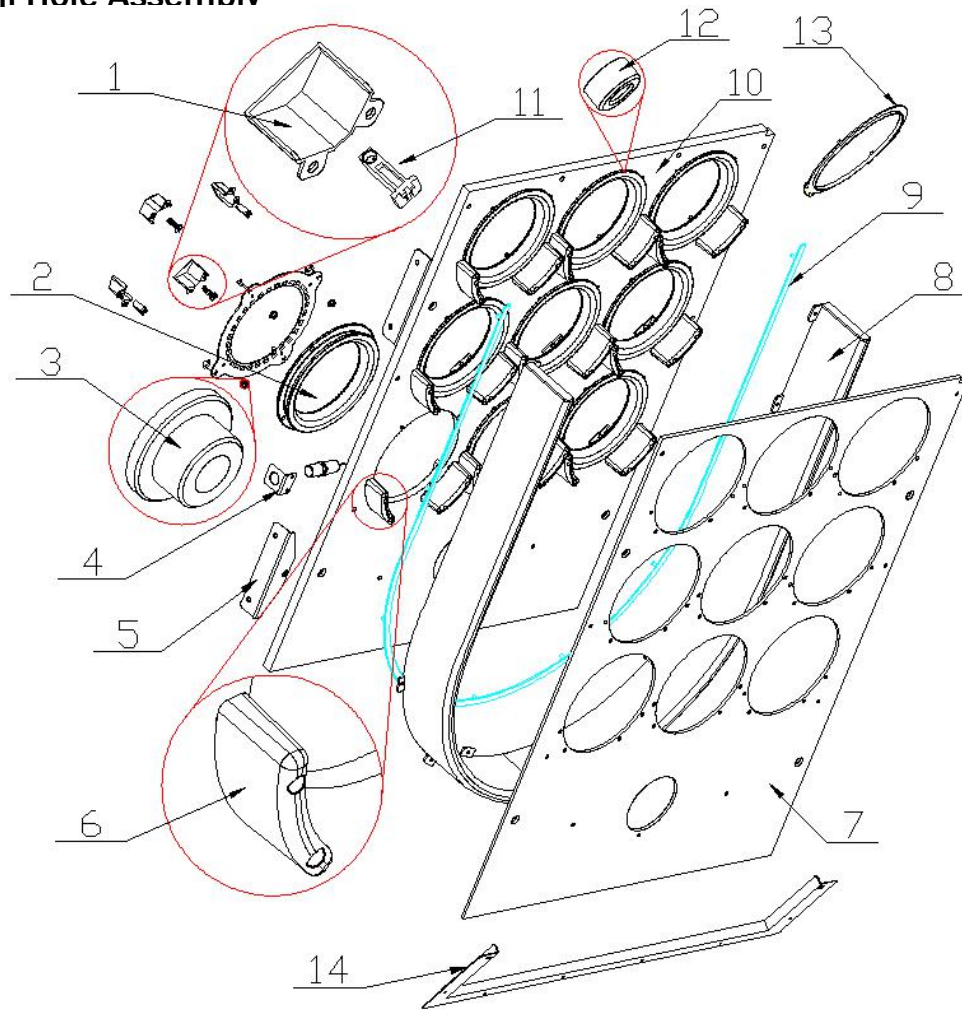
No.	Part No.	Code No.	Name	Version	Qty
8	J139-144-000	20211904031	Protective plate A	1.1	3×2
9	J139-231-000	26000042001B	Wiring box	1.1	1×2
	J139-232-000	26000042002B	Wiring box cover	1.1	1×2
10	J139-102-000	20211605043	Power supply fixing plate	1.1	1×2
11	J139-145-000	20211904032	Protective plate B	1.1	2×2
12	J139-155-000	20611904018	Foam 2	1.1	1×2
13	J139-173-000	20211904050	Protective plate E	1.1	3×2
14	J139-172-000	20211904049	Protective plate D	1.1	2×2
15	J139-237-000	20211904A003	Blocking plate	1.1	1×2
16	J139-522-001	20311904006A	Support board	1.1	1×2

9.4 Monitor Assembly



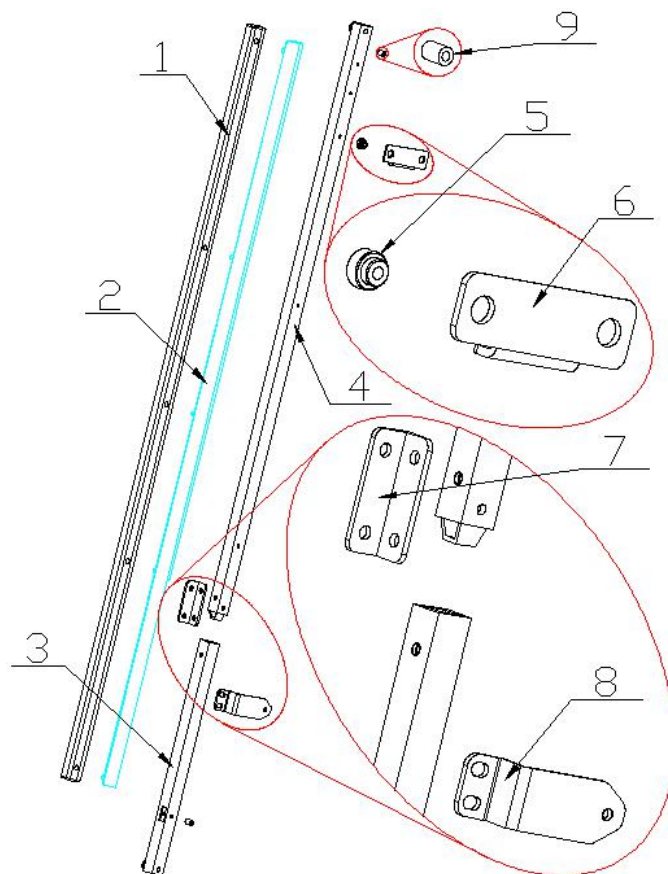
No.	Part No.	Code No.	Name	Version	Qty
1	J139-138-000	20211904027	Monitor top plate	1.1	1×2
2	J139-137-000	20211904026A	Monitor plate	1.1	1×2
3	J139-141-000	20211904028	Fixing plate	1.1	4×2
4	J139-139-000	20611904021	Horizontal monitor foam	1.1	2×2
5	J139-136-000	20611904029	Monitor fixing plate	1.1	1×2
6	J139-134-000	20211904025	Monitor frame	1.1	1×2
7	J139-140-000	20611904022	Vertical monitor foam	1.1	2×2
8	J139-135-000	202.1.1904.090	Monitor mounting plate	1.1	1×2

9.5 Ball Hole Assembly



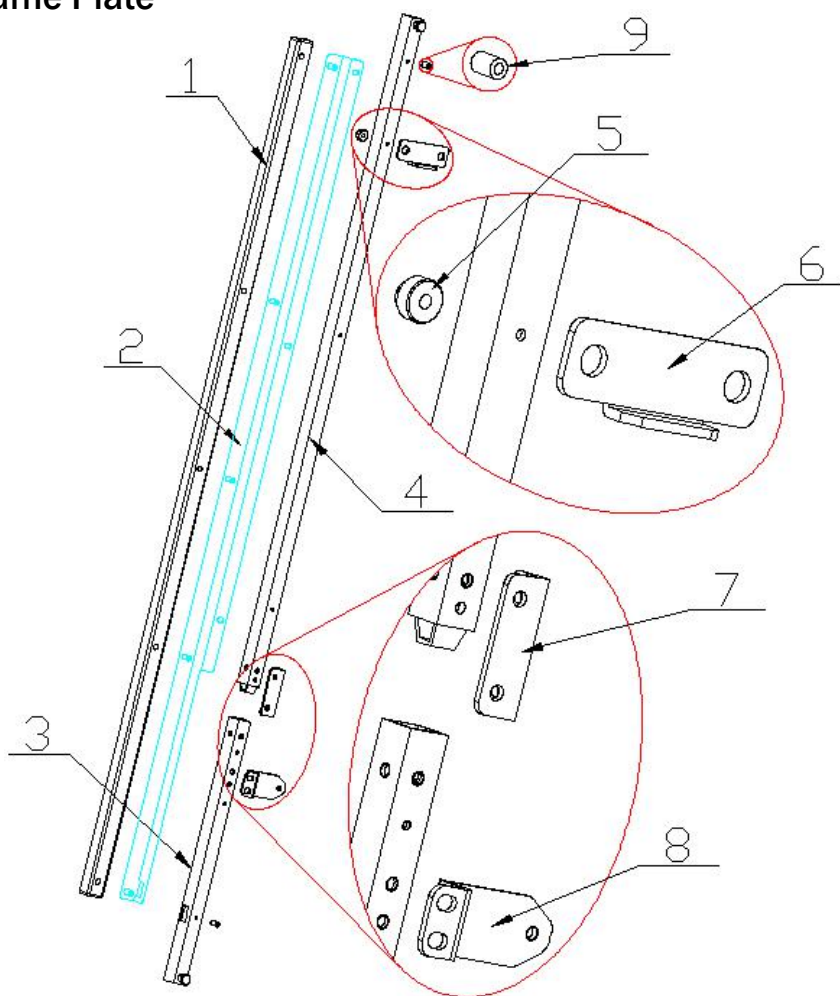
No.	Part No.	Code No.	Name	Version	Qty
1	J139-133-001	20611904A005	Sensor protect cover	1.1	18×2
2	J139-125-000	20611904034	Circle rubber	1.1	9×2
3	J139-128-000	20611904001A	Top rod	1.1	36×2
4	J139-126-000	20211904022	Sensor fixing plate	1.1	1×2
5	J139-156-001	20241925B011	Hole plate fixing plate	1.1	4×2
6	J139-129-000	20611904002	Separate plate	1.1	18×2
7	J139-127-001	20611904A004	Buffer plate	1.1	1×2
8	J139-132-000	20611904033A	U type blocking rubber	1.1	1×2
9	J139-131-001	20241925B010	U type lighting plate	1.1	1×2
10	J139-527-001	20611904A003	Ball hole board	1.1	1×2
11	J139-130-000	20611904003	Sensor plate	1.1	36×2
12	J139-240-000	20611904A006	Blocking column plate	1.1	6×2
13	J139-238-000	20211904A004	Sensor protect plate	1.1	9×2
14	J139-239-000	20241925B009	Baffle bottom plate	1.1	1×2

9.6 L Baffle Plate



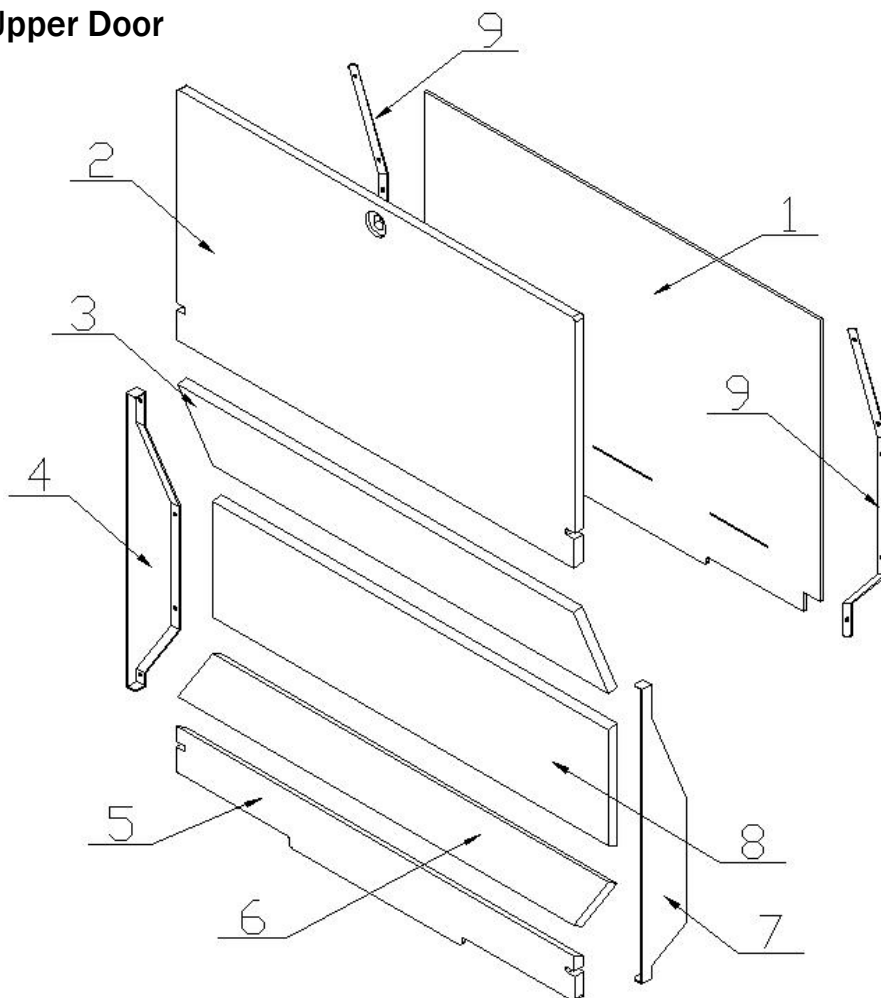
No.	Part No.	Code No.	Name	Version	Qty
1	J139-115-000	20611904009	Light strip plastic	1.1	1×2
2	J139-119-000	20211904016	Light strip pressing plate 2	1.1	1×2
3	J139-113-000	20211904012	Bottom support plate	1.1	1×2
4	J139-111-000	20211904010	Upper support plate	1.1	1×2
5	J139-118-000	20611904025	Axle sleeve	1.1	1×2
6	J139-117-000	20211904015	Axle fixing plate 2	1.1	1×2
7	J139-112-000	20211904011	Support plate connective pin	1.1	1×2
8	J139-116-000	20211904014	Axle fixing plate	1.1	1×2
9	J139-401-000	20108044001	Isolation column	1.1	1×2

9.7 R Baffle Plate



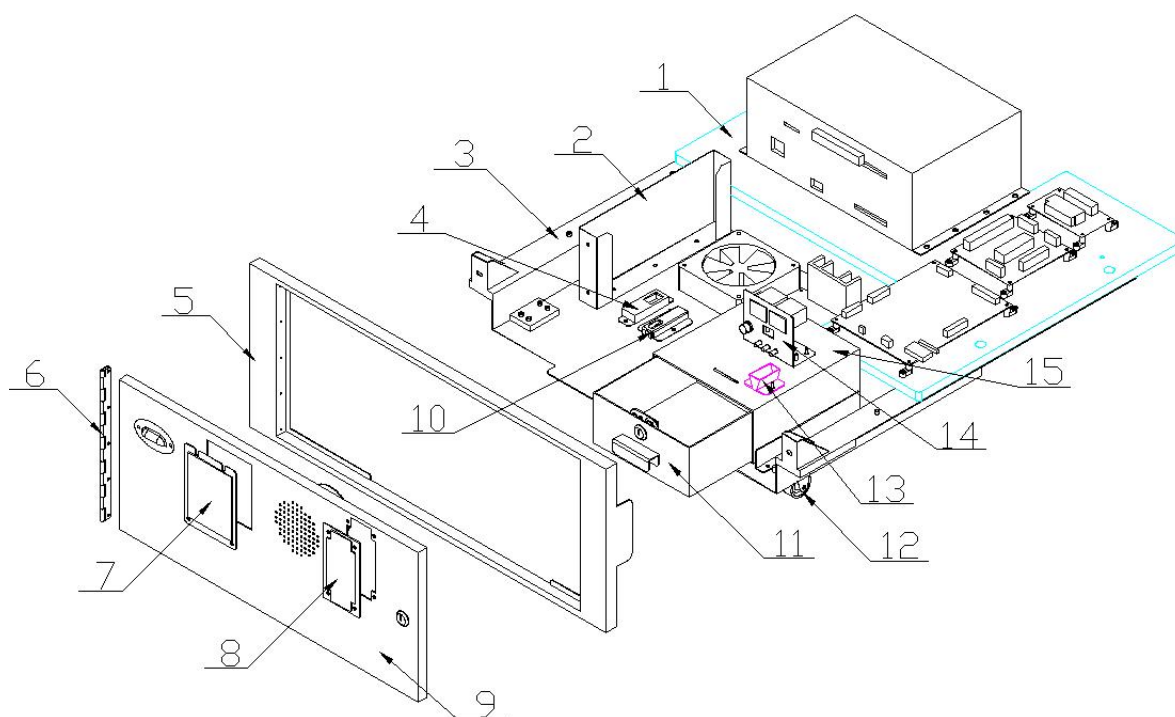
No.	Part No.	Code No.	Name	Version	Qty
1	J139-115-000	20611904009	Light strip plastic	1.1	1×2
2	J139-114-000	20211904013	Light strip pressing plate 1	1.1	1×2
3	J139-113-000	20211904012	Bottom support plate	1.1	1×2
4	J139-111-000	20211904010	Upper support plate	1.1	1×2
5	J139-118-000	20611904025	Axle sleeve	1.1	1×2
6	J139-117-000	20211904015	Axle fixing plate 2	1.1	1×2
7	J139-112-000	20211904011	Support plate connective pin	1.1	1×2
8	J139-116-000	20211904014	Axle fixing plate	1.1	1×2
9	J139-401-000	20108044001	Isolation column	1.1	1×2

9.8 Back Upper Door



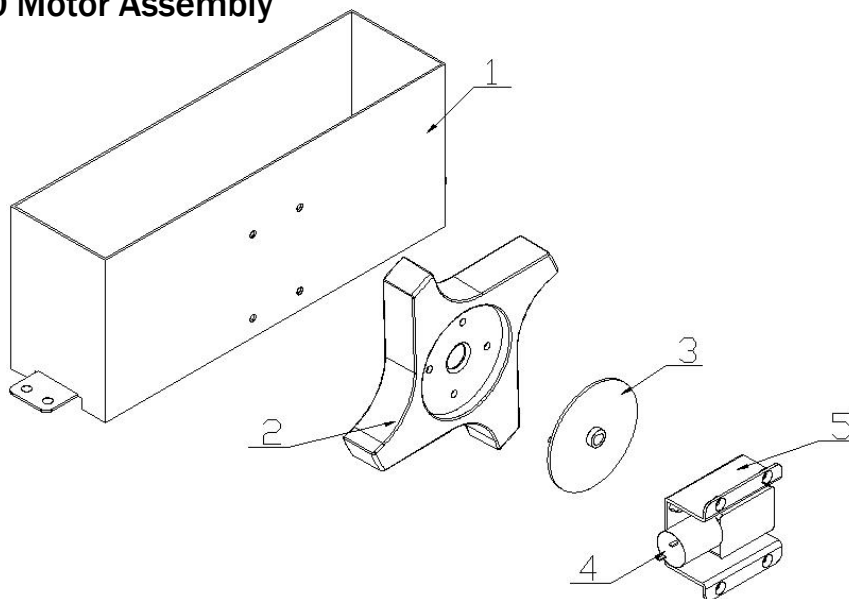
No.	Part No.	Code No.	Name	Version	Qty
1	J139-147-000	20611904016	Back upper door foam	1.1	1×2
2	J139-505-000	20311904024A	Back board 1	1.1	1×2
	J139-406-000	25300171001	171 Lock	1.1	1×2
3	J139-506-000	20311904025A	Back board 2	1.1	1×2
4	J139-123-000	20211904020	Back door side plate 1	1.1	1×2
5	J139-509-000	20311904028A	Back board 5	1.1	1×2
6	J139-508-000	20311904027A	Back board 4	1.1	1×2
7	J139-124-000	20211904021	Back door side plate 2	1.1	1×2
8	128-507-000	20311904026A	Back board 3	1.1	1×2
9	J139-148-000	20211904034	Foam pressing plate	1.1	2×2

9.9 Front Door & Electrical Plate Assembly



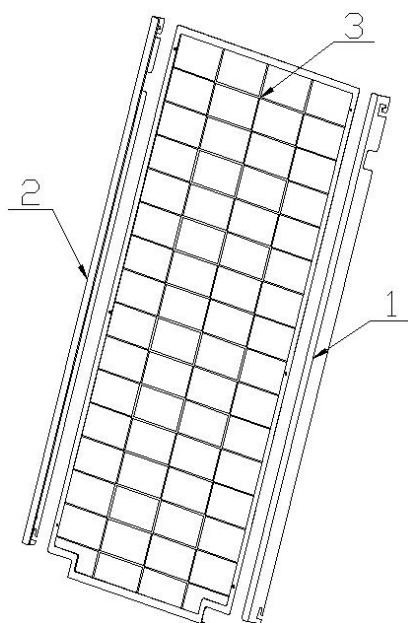
No.	Part No.	Code No.	Name	Version	Qty
1	J139-547-001	20311904047A	Mounting plate	1.1	1×2
2	J139-229-000	26000007000	Ticket box	1.1	1×2
3	J139-210-000	20211904B011	Base plate	1.1	1×2
4	J139-235-000	26000064000	Recovery stick plate	1.1	1
5	J139-168-000	20211904046	Front door frame	1.1	1×2
6	J139-167-000	20211904045	Hinge	1.1	1×2
7	J139-171-000	20211904048	DBV cover plate	1.1	1×2
8	J139-170-000	20211904047	Blanking plate	1.1	1×2
9	J139-165-000	20211904042	Front door plate	1.1	1×2
	J139-406-000	25300171001	171 Lock	1.1	1×2
10	J139-234-000	26000055000	Dongle plate	1.1	1
11	J139-163-000	20211904040	Coin box	1.1	1×2
	J139-407-000	25300172001	171B Lock	1.1	1×2
12	J139-415-000	20840910002	1.5" caster	1.1	2×2
13	J139-166-000	20211904043	Coin-in plate	1.1	1×2
14	J139-169-000	20211904077	Counter bracket	1.1	1×2
15	J139-164-000	20211904041	Coin outer box	1.1	1×2

9.10 Motor Assembly



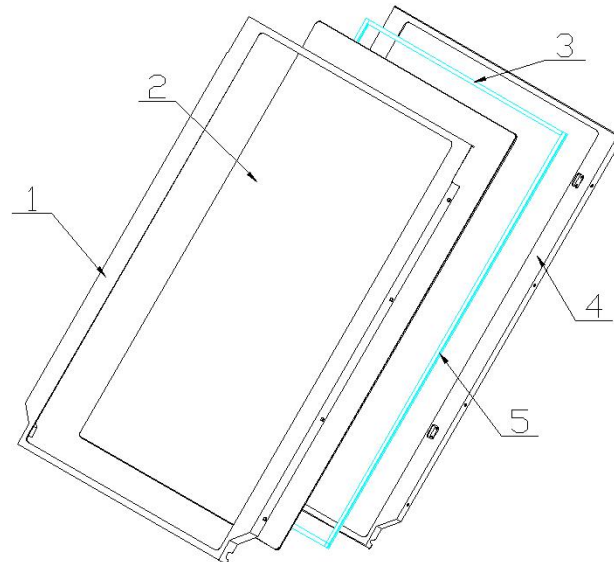
No.	Part No.	Code No.	Name	Version	Qty
1	J139-175-001	20241925B013	Motor metal plate	1.1	1×2
2	J139-242-000	20241925B012	Connective plate	1.1	1×2
3	J139-243-000	20641925B005	Turntable plate	1.1	1×2
4	J139-403-001	23404000245	Motor	1.3	1×2
5	J139-178-001	20241925B014	Motor fixing plate	1.1	1×2

9.11 Net B



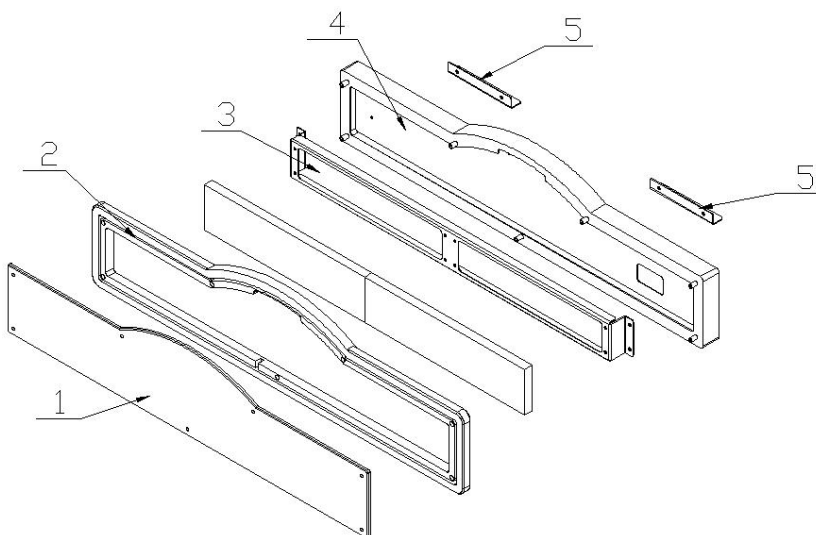
No.	Part No.	Code No.	Name	Version	Qty
1	J139-120-000	20211904017	Net B fixing plate 1	1.1	1×2
2	J139-121-000	20211904018	Net B fixing plate 2	1.1	1×2
3	J139-122-001	20211904A001	Net B	1.1	1×2

9.12 Glass



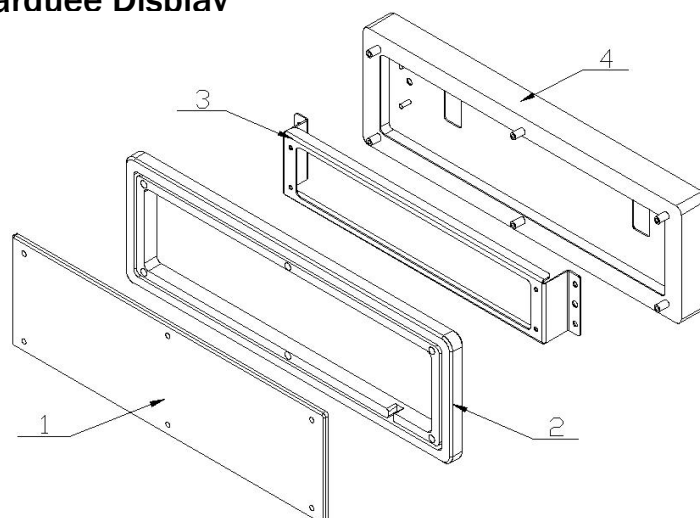
No.	Part No.	Code No.	Name	Version	Qty
1	J139-152-000	20211904036A	Pressing plate	1.1	1×2
2	J139-150-000	20611904030	Glass	1.1	1×2
3	J139-154-000	20611904024	Glass horizontal foam	1.1	4×2
4	J139-151-000	20211904035A	Support plate	1.1	1×2
5	J139-153-000	20611904023	Glass vertical foam	1.1	4×2

9.13 Display Assembly



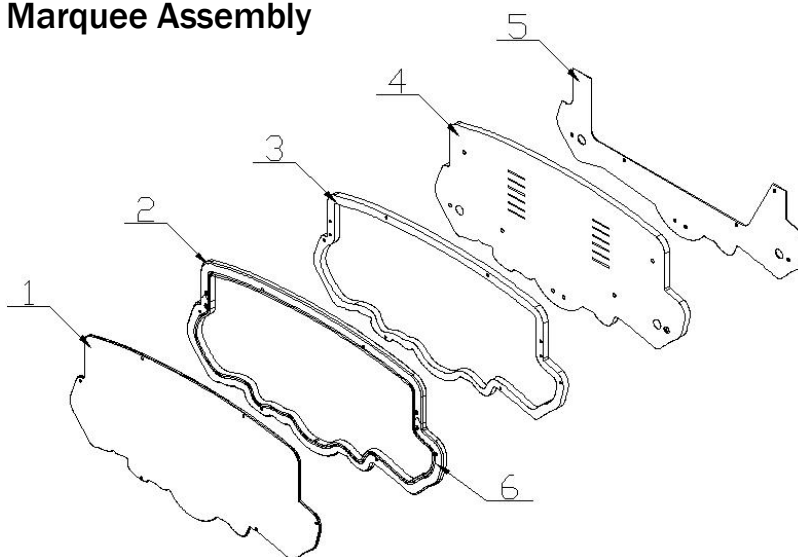
No.	Part No.	Code No.	Name	Version	Qty
1	J139-701-000	20541925A003	Display plastic	1.1	1×2
2	J139-201-000	20611904013	Display light strip plastic	1.1	1×2
3	J139-203-000	20211904066	Display fixing plate	1.1	1×2
4	J139-200-001	20241925A006	Display frame	1.1	1×2
5	J139-202-000	20211904065	Display frame fixing plate	1.1	2×2

9.14 Middle Marquee Display



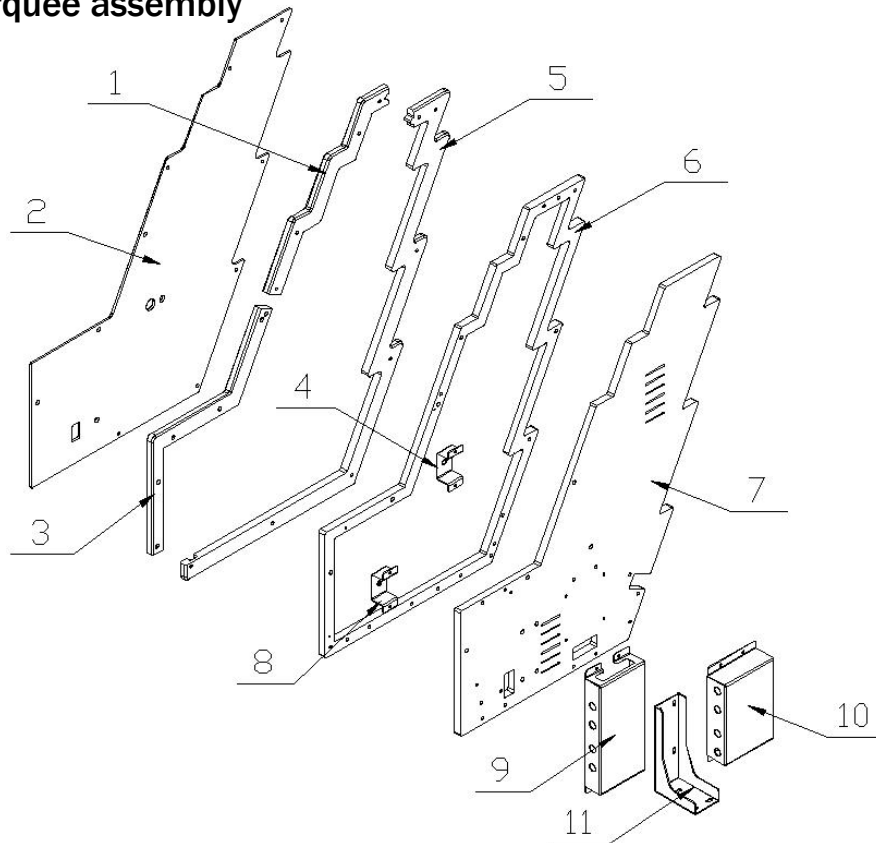
No.	Part No.	Code No.	Name	Version	Qty
1	J139-740-000	20511904B016	Marquee display decal	1.1	1
2	J139-257-000	20611904B023	Marquee display light strip	1.1	1
3	J139-258-000	20211904B018	Marquee display fixing plate	1.1	1
4	J139-262-000	20211904B016	Marquee display plate	1.1	1

9.15 Middle Marquee Assembly



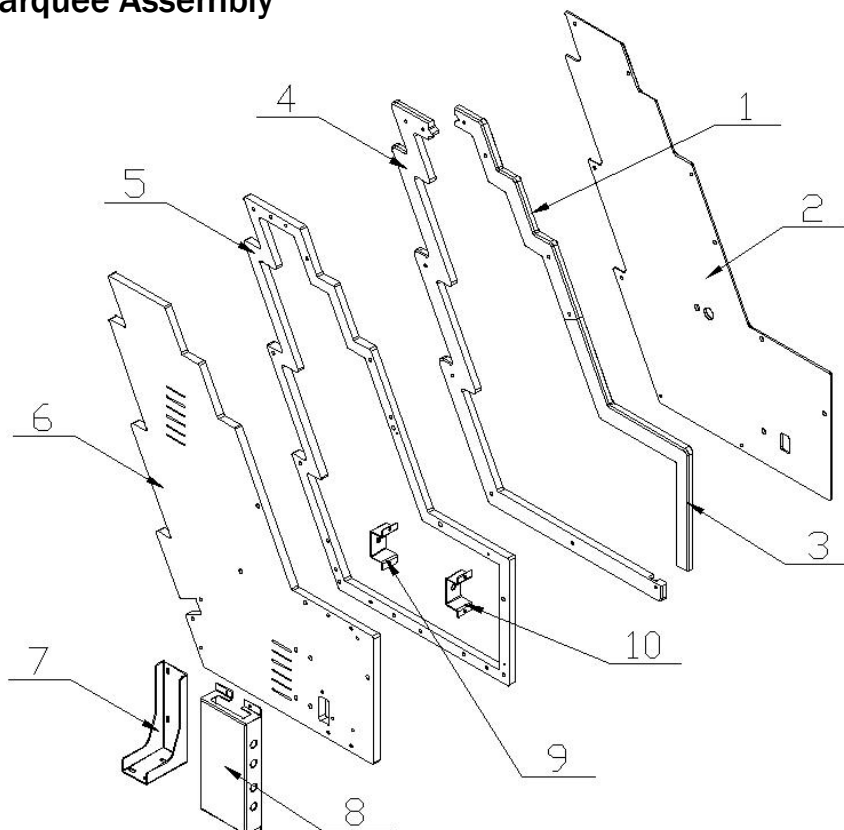
No.	Part No.	Code No.	Name	Version	Qty
1	J139-735-000	20511904B011A	LOGO decal	1.1	1
2	J139-247-000	20611904B016A	Light strip plastic 2	1.1	1
3	J139-557-000	20311904B014A	Upper marquee board	1.1	1
4	J139-556-000	20311904B013A	Upper marquee base board	1.1	1
5	J139-248-000	20611904B021	Upper marquee plate	1.1	1
6	J139-246-000	20611904B015A	Light strip plastic 1	1.1	1

9.16 L Marquee assembly



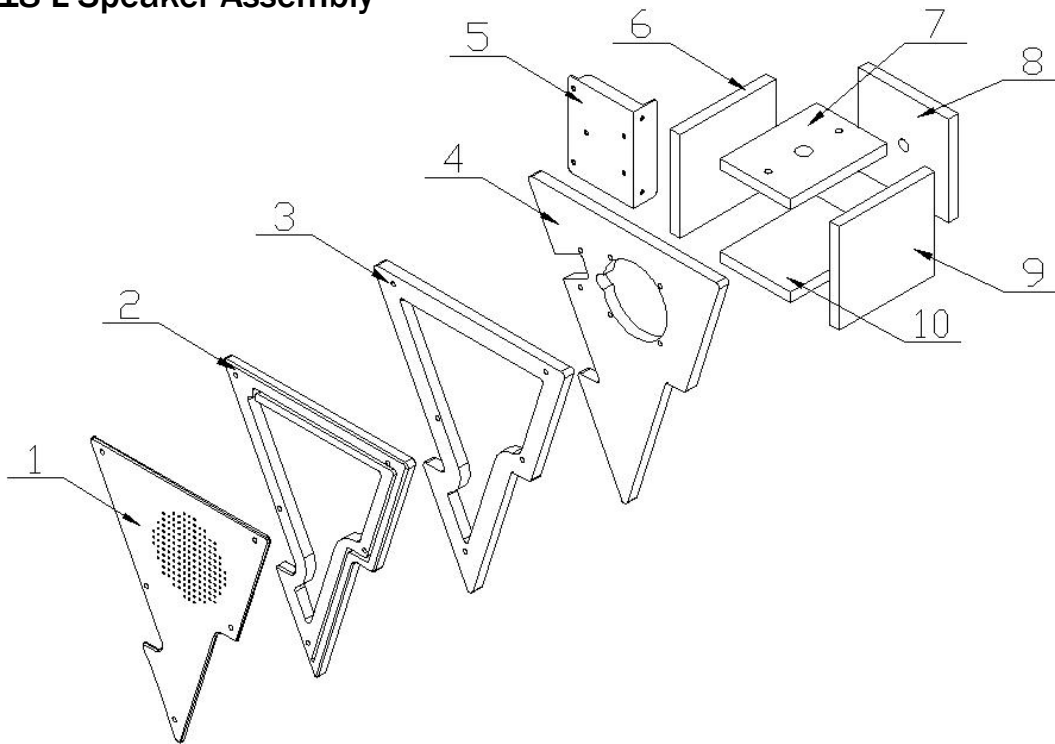
No.	Part No.	Code No.	Name	Version	Qty
1	J139-250-000	20611904B018A	Light strip plastic 4	1.1	1
2	J139-736-000	20511904B012A	L Marquee decal	1.1	1
3	J139-560-000	20311904B019	L marquee board 2	1.1	1
4	J139-252-000	20211904B014	Marquee display fixing plate 2	1.1	1
5	J139-249-000	20611904B017A	Light strip plastic 3	1.1	1
6	J139-559-000	20311904B016A	L marquee board 1	1.1	1
7	J139-558-000	20311904B015A	L marquee base board	1.1	1
8	J139-251-000	20211904B013	Marquee display fixing plate 1	1.1	1
9	J139-245-000	20211904B012A	Power supply cover 1	1.1	1
10	J139-253-000	20211904B015	Power supply cover 2	1.1	1
11	J139-244-000	20211904070	Marquee fixing plate	1.1	1

9.17 R Marquee Assembly



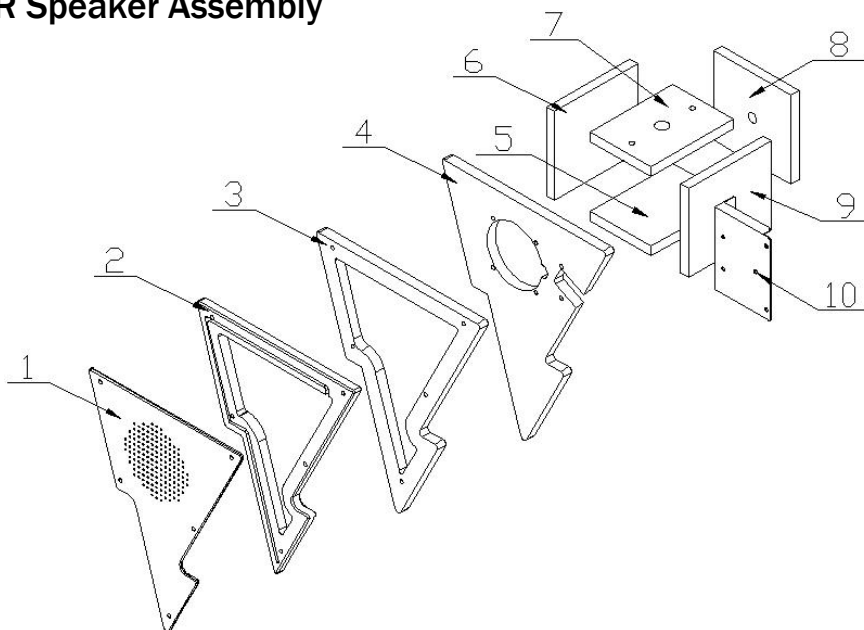
No.	Part No.	Code No.	Name	Version	Qty
1	J139-255-000	20611904B020A	Light strip plastic 6	1.1	1
2	J139-737-000	20511904B013A	R Marquee decal	1.1	1
3	J139-563-000	20311904B020	R marquee board 2	1.1	1
4	J139-254-000	20611904B019A	Light strip plastic 5	1.1	1
5	J139-562-000	20311904B018A	R marquee board 1	1.1	1
6	J139-561-000	20311904B017A	R marquee base board	1.1	1
7	J139-244-000	20211904070	Marquee fixing plate	1.1	1
8	J139-245-000	20211904B012A	Power supply cover 1	1.1	1
9	J139-251-000	20211904B013	Marquee display fixing plate 1	1.1	1
10	J139-252-000	20211904B014	Marquee display fixing plate 2	1.1	1

9.18 L Speaker Assembly



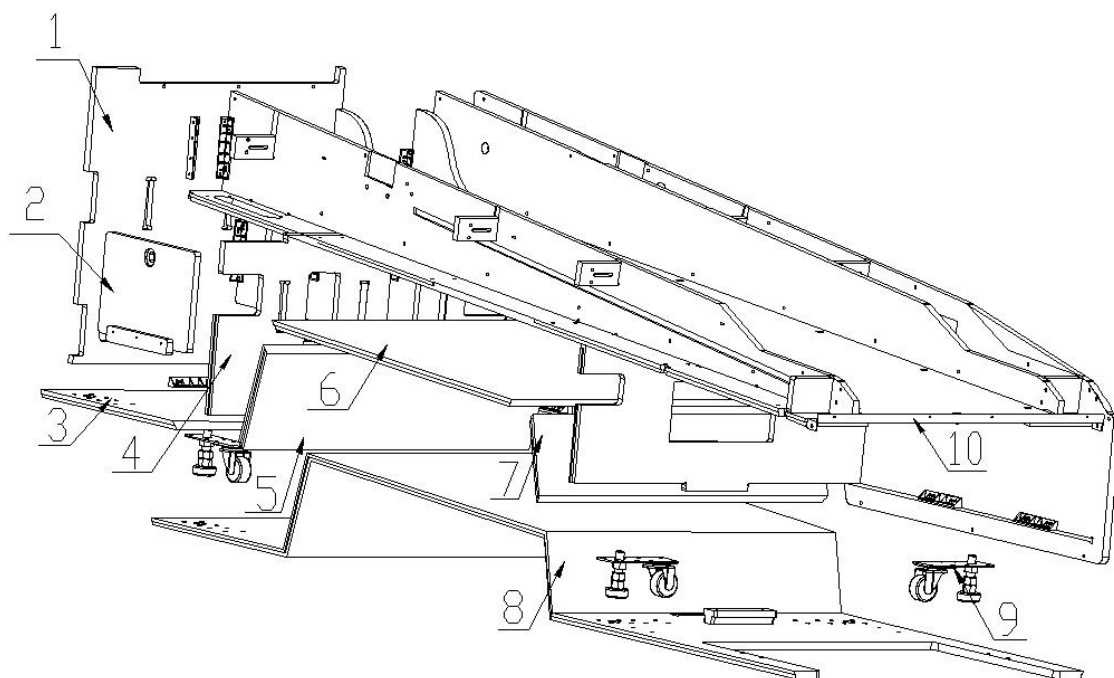
No.	Part No.	Code No.	Name	Version	Qty
1	J139-738-000	20511904B014	L speaker decal	1.1	1
2	J139-259-000	20611904B022	L speaker light plate	1.1	1
3	J139-565-000	20311904B022	L speaker board	1.1	1
4	J139-564-001	20311904B021/1	L speaker base board	1.1	1
5	J139-260-000	20211904B017	Speaker connect plate	1.1	1
6	J139-566-000	20311904B023	L speaker side board	1.1	1
7	J139-568-000	20311904B025	L speaker top board	1.1	1
8	J139-567-000	20311904B024	L speaker back board	1.1	1
9	J139-566-000	20311904B023	L speaker side board	1.1	1
10	J139-569-000	20311904B026	L speaker bottom board	1.1	1

9.19 R Speaker Assembly

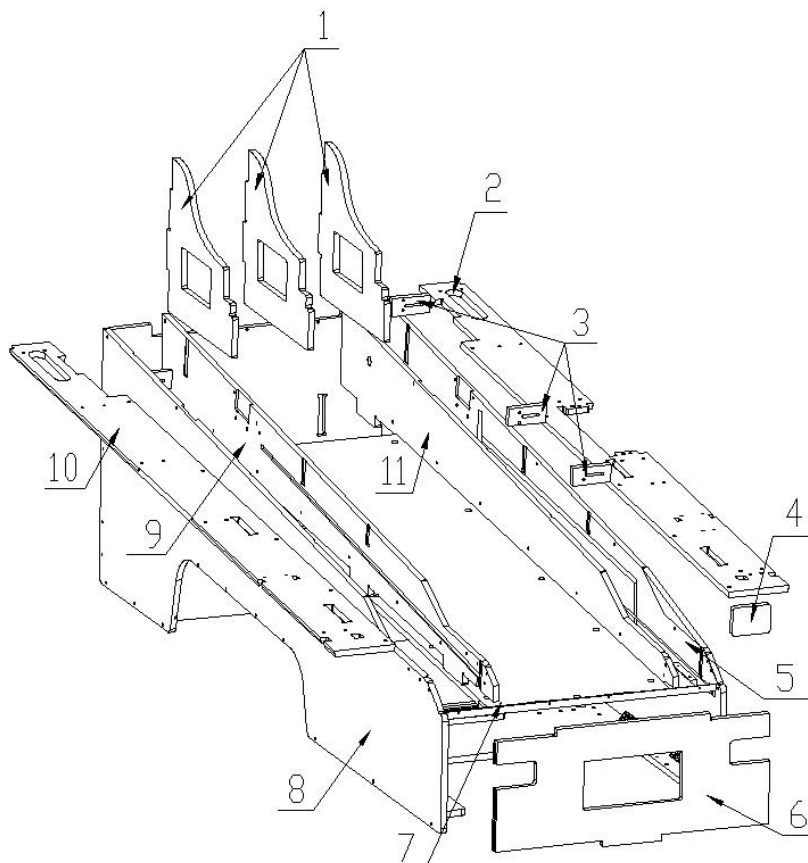


No.	Part No.	Code No.	Name	Version	Qty
1	J139-739-000	20511904B015	R speaker decal	1.1	1
2	J139-261-000	20611904B024	R speaker light plate	1.1	1
3	J139-571-000	20311904B028	R speaker board	1.1	1
4	J139-570-001	20311904B027/1	R speaker base board	1.1	1
5	J139-569-000	20311904B026	L speaker bottom board	1.1	1
6	J139-566-000	20311904B023	L speaker side board	1.1	1
7	J139-568-000	20311904B025	L speaker top board	1.1	1
8	J139-567-000	20311904B024	L speaker back board	1.1	1
9	J139-566-000	20311904B023	L speaker side board	1.1	1
10	J139-260-000	20211904B017	Speaker connect plate	1.1	1

9.20 Lane Wooden Assembly

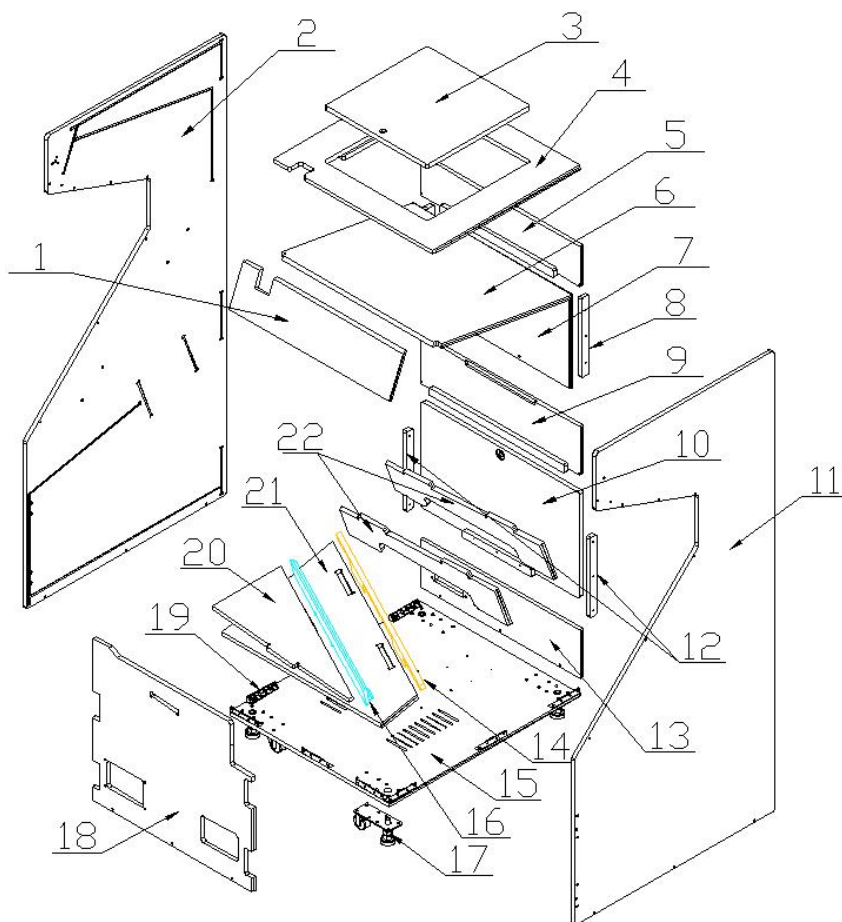


No.	Part No.	Code No.	Name	Version	Qty
1	J139-529-000	20311904009	Back blanking board	1.1	1×2
2	J139-546-000	20311904046B	Side board	1.1	1×2
3	J139-536-000	20311904012	Back base board	1.1	1×2
4	J139-535-000	20311904011	Cabinet fence(L)	1.1	1×2
5	J139-537-000	20311904042	Back bottom connected board	1.1	1×2
6	J139-538-000	20311904013	Middle base board	1.1	1×2
7	J139-539-000	20311904014	Front bottom connected board	1.1	1×2
8	J139-532-000	20311904010	Front base board	1.1	1×2
9	J139-101-000	20241708002	Caster plate	1.1	4×2
	J139-408-000	25501000003	Caster	1.1	4×2
	J139-230-000	26000009000	Caster bracket	1.1	4×2
10	J139-159-000	20211904039	Frame plate	1.1	1×2



No.	Part No.	Code No.	Name	Version	Qty
1	J139-545-000	20311904045A	Support board	1.1	3×2
2	J139-533-000	20311904018A	Connective board	1.1	1×2
3	J139-531-000	20311904041	Ball out cover board	1.1	6×2
4	J139-543-000	20311904016	Lane cover board	1.1	2×2
5	J139-528-000	20311904039B	No.2 Lane R side board	1.1	1
	J139-553-000	20311904B006A	No.1 Lane R side board(with hole)	1.1	1
6	J139-542-000	20311904015	Cabinet fence(S)	1.1	1×2
7	J139-534-000	20311904019	Lane board	1.1	1×2
8	J139-530-000	20311904040B	No1 Lane L side board	1.1	1
	J139-551-001	20311904B004B	No.2 Lane L side board(with hole)	1.1	1
9	J139-544-000	20311904044A	Bottom lane L front board	1.1	1×2
10	J139-540-000	20311904020A	Connective board 2	1.1	1×2
11	J139-541-000	20311904043A	Bottom lane R front board	1.1	1×2

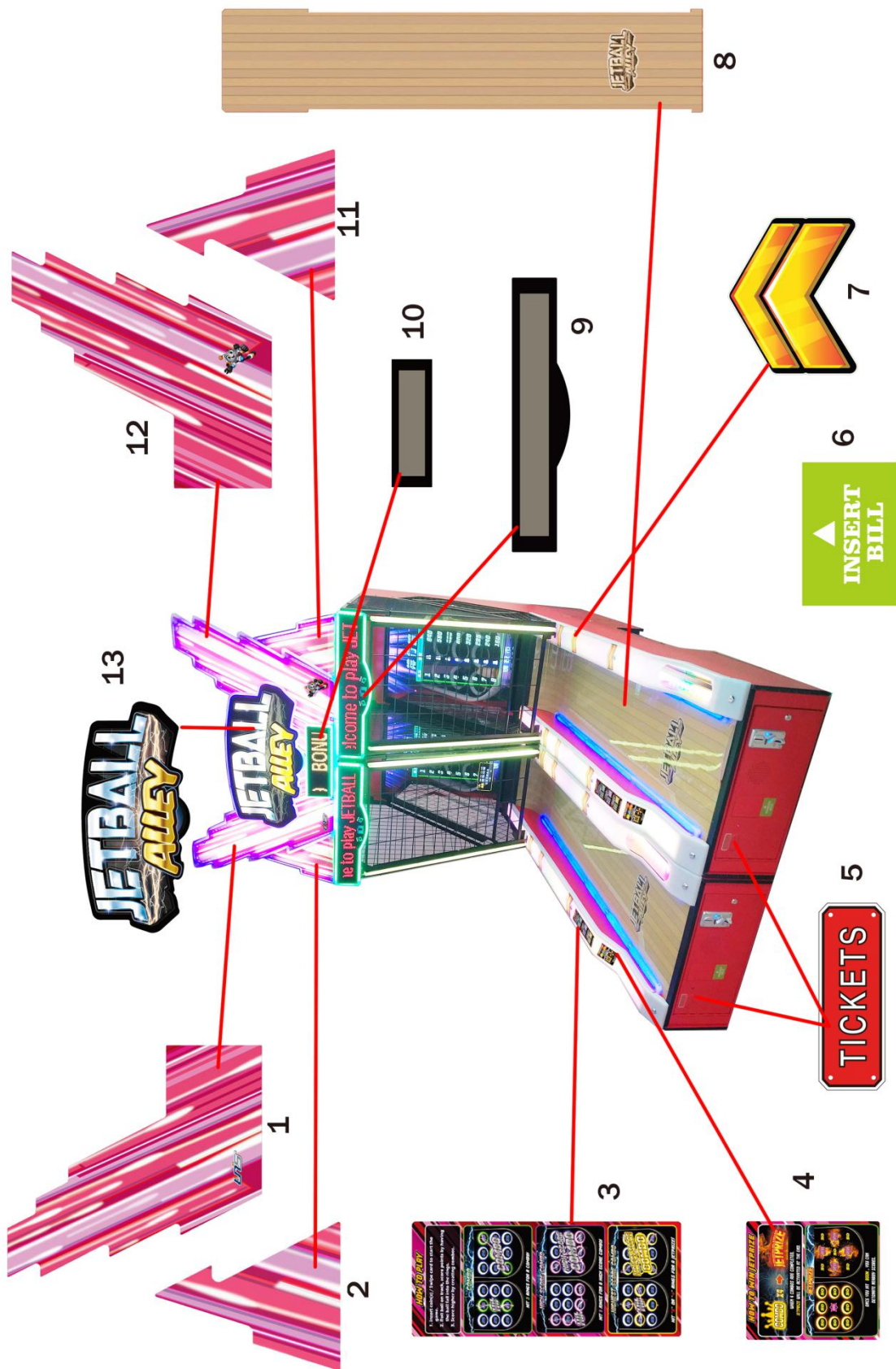
9.21 Cabinet Wooden Assembly



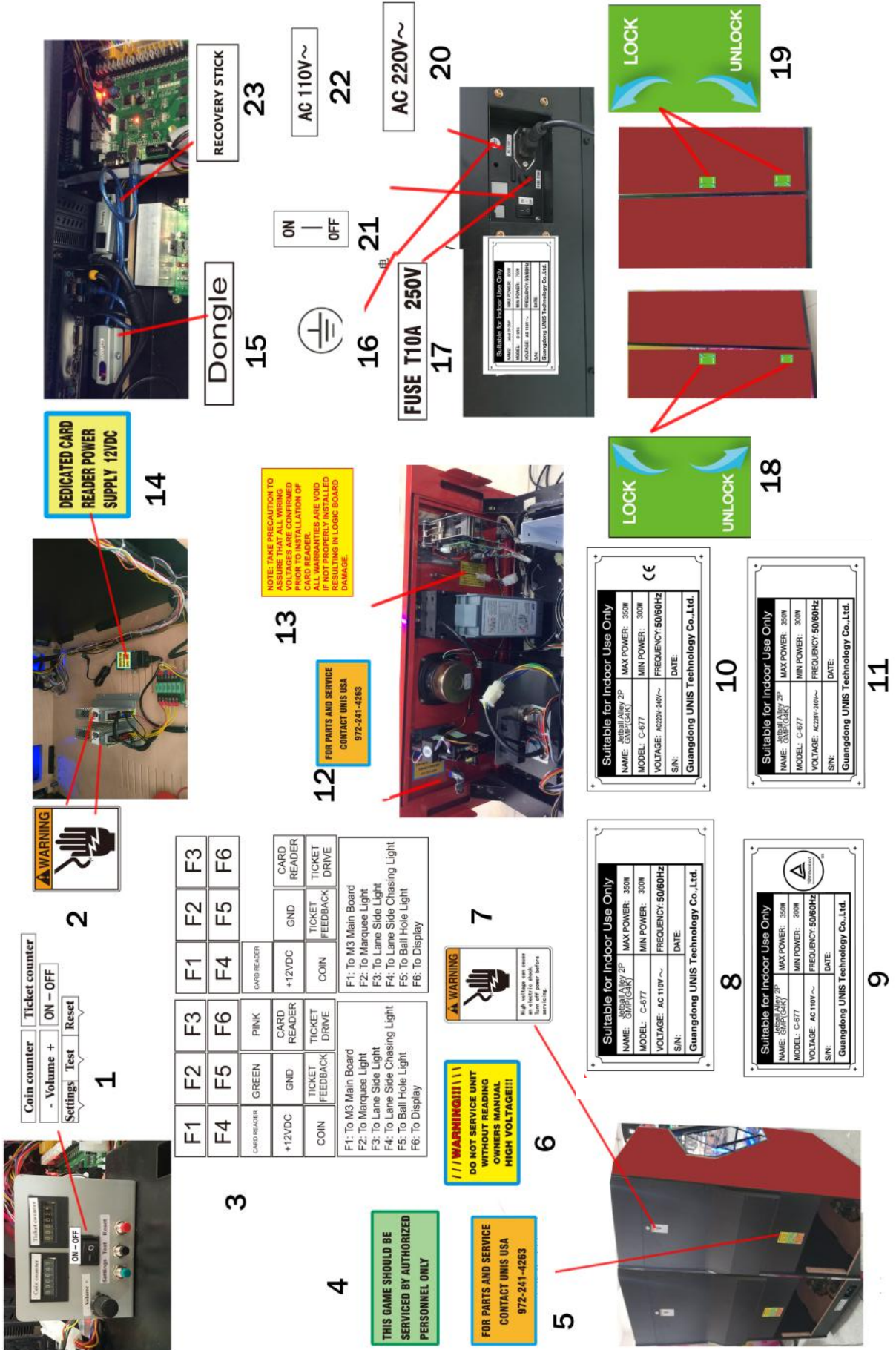
No.	Part No.	Code No.	Name	Version	Qty
1	J139-518-000	20311904034A	Front top board	1.1	1×2
2	J139-503-000	20311904022A	No.1 L side board	1.1	1
	J139-550-000	20311904B003	No.2 L side board(with hole)	1.1	1
3	J139-514-000	20311904032A	Top cover board	1.1	1×2
4	J139-515-000	20311904033A	NO.1 Top board	1.1	1
	J139-548-000	20311904B001	NO.2 Top board	1.1	1
5	J139-513-000	20311904031A	NO.1 Back top board	1.1	1
	J139-549-000	20311904B002	NO.2 Back top board	1.1	1
6	J139-524-000	20311904037	Ball hole top board	1.1	1×2
7	J139-512-000	20311904030A	Tail board	1.1	1×2
8	J139-525-000	20311904007	Back upper door fixing board	1.1	2×2
9	J139-517-000	20311904017A	Back bottom door connect board	1.1	1×2
10	J139-511-000	20311904029A	Back bottom door board	1.1	1×2
11	J139-501-000	20311904021A	No.2 R side board	1.1	1×2
	J139-552-000	20311904B005	No.1 R side board(with hole)	1.1	1×2

No.	Part No.	Code No.	Name	Version	Qty
12	J139-516-000	20311904003	Door locating board	1.1	2×2
13	J139-504-000	20311904023A	Power supply board	1.1	1×2
14	J139-526-000	20311904008	Connect board	1.1	1×2
15	J139-510-000	20311904002	Base board	1.1	1×2
16	J139-523-000	20311904036	Front blocking board	1.1	1×2
17	J139-408-000	25501000003	Caster	1.1	4×2
	J139-101-000	20241708002	Caster plate	1.1	4×2
	J139-230-000	26000009000	Caster bracket	1.1	4×2
18	J139-502-000	20311904001	Front board	1.1	1×2
19	J139-236-000	26000067000	Corner bar	1.1	36×2
20	J139-521-000	20311904035	Blocking board	1.1	1×2
21	J139-519-001	20311904004A	Ball track board	1.1	1×2
22	J139-520-000	20311904005	Strengthen board	1.1	2×2

9.22 Decals



No.	Part No.	Code No.	Name	Version	Qty
1	J139-736-000	20511904B012A	L Marquee decal	1.1	1
2	J139-738-000	20511904B014	L speaker decal	1.1	1
3	J139-734-000	20511904A008	How to play instruction decal	1.1	1×2
4	J139-733-000	20511904A007	BONUS decal	1.1	1×2
5	J139-719-000	25600000108	Ticket decal	1.1	1×2
6	J139-705-000	20511904016	DBV decal	1.1	1×2
7	J139-703-000	20511904009	Arrow decal	1.1	1×2
8	J139-702-000	20511904004A	Lane plastic	1.1	1×2
9	J139-701-001	20541925A003	Display plastic	1.1	1×2
10	J139-740-000	20511904B016	Middle display decal	1.1	1
11	J139-739-000	20511904B015	R speaker decal	1.1	1
12	J139-737-000	20511904B013A	R Marquee decal	1.1	1



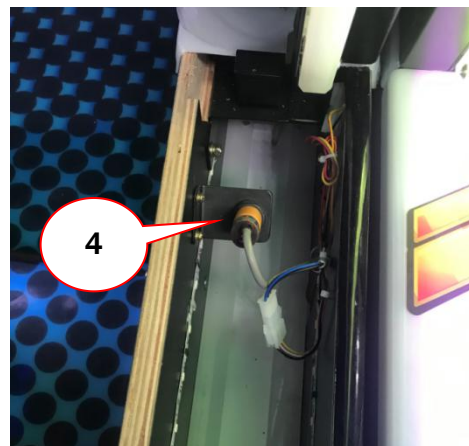
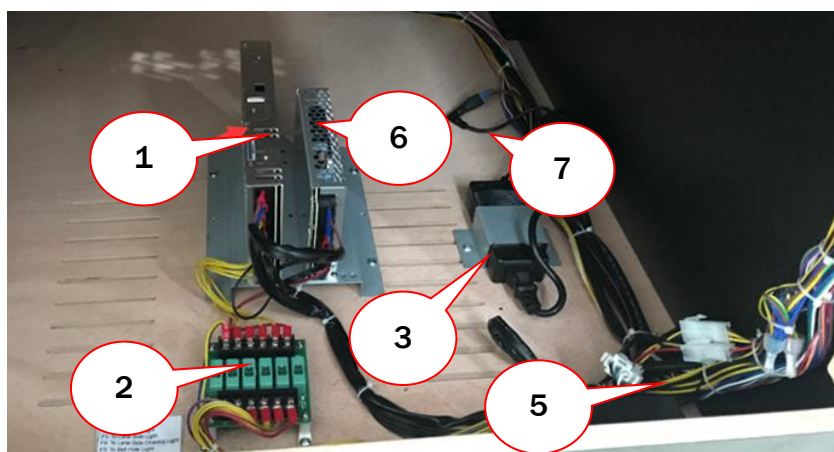
No.	Part No.	Code No.	Name	Version	Qty
1	J139-704-000	20511904015	Counter decal	1.1	2
2	J139-722-000	25600000036	High voltage label(S)	1.1	4
3	J139-718-000	20511904B009	Wiring decal	1.1	1
4	J139-724-000	25600000042A	Service label(green)	1.1	2
5	J139-731-000	25600000095A	Service label(L)	1.1	2
6	J139-725-000	25600000067A	Service label(yellow)	1.1	2
7	J139-723-000	25600000037	High voltage label(L)	1.1	2
8	J139-717-000	205.4.2125.001	110V nameplate	1.1	1
9	J139-714-000	205.4.2125.003	110V nameplate(TUV)	1.1	1
10	J139-715-000	205.4.2125.002	220V nameplate(CE)	1.1	1
11	J139-716-000	205.4.2125.004	220V nameplate	1.1	1
12	J139-732-000	25600000096A	Service label(S)	1.1	2
13	J139-707-000	20511904018	AAMA warning label	1.1	2
14	J139-706-000	20511904017	Adapter decal	1.1	2
15	J139-730-000	25600000093	Dongle label	1.1	1
16	J139-729-000	25600000091	GND decal	1.1	2
17	J139-728-000	25600000077	Fuse decal	1.1	2
18	J139-708-000	20511904019	Lock decal 1	1.1	4
19	J139-709-000	20511904020	Lock decal 2	1.1	4
20	J139-727-000	25600000072	220V decal	1.1	2
21	J139-721-000	25600000016	Power switch decal	1.1	2
22	J139-726-000	25600000071	110V decal	1.1	2
23	J139-720-000	25600000116	Recovery stick decal	1.1	1

9.23 Electrical Component

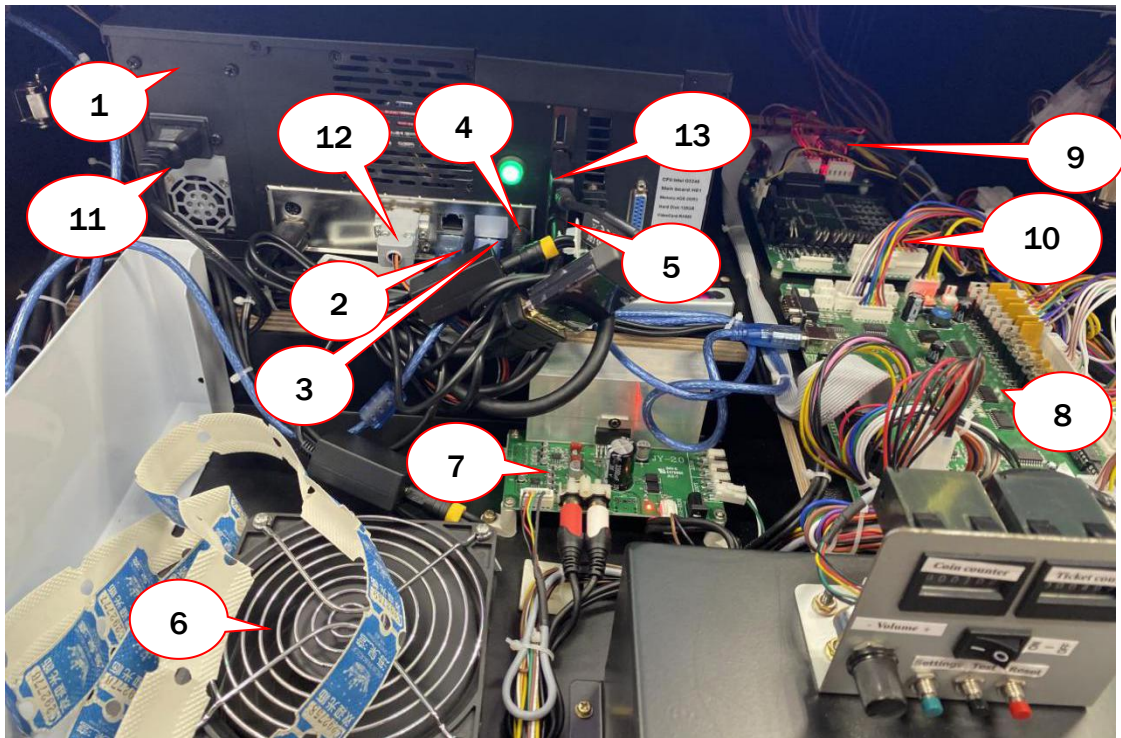


No.	Part No.	Code No.	Name	Version	Qty
1	J139-449-000	2.12.01.000014	49" monitor(Gold finger)	1.1	1×2
2	J139-453-000	22008010001	Out of ticket light	1.1	1×2
3	J139-438-000	22002015021	BG5050RGB light strip	1.1	76.77×2in(195cm×2)
4	J139-438-000	22002015021	BG5050RGB light strip	1.1	41.33×2in(105cm×2)
5	J139-438-000	22002015021	BG5050RGB light strip	1.1	41.33×2in(105cm×2)
6	J139-462-000	22002011005	BG2835B blue light strip	1.1	68.89×2in(175cm×2)
7	J139-462-000	22002011005	BG2835B blue light strip	1.1	68.89×2in(175cm×2)
8	J139-440-000	22002019001	LPD6803S light strip	1.1	204.72in×2in(520cm×2)
9	J139-440-000	22002019001	LPD6803S light strip	1.1	267.71×2in(680cm×2)
10	J139-439-000	22002011003	BG2835G green light strip	1.1	61.02×2in(155cm×2)
	J139-448-000	20751507002	Display	1.1	2×2
11	J139-435-000	29711904001	Sensor light board	1.1	9×2
12	J139-463-000	22801000085	Speaker	1.1	1
	J139-462-000	22002011005	BG2835B blue light strip	1.1	15.74 in (40cm)
	J139-441-000	22002015019	BG5050 white light strip	1.1	17.71 in (45cm)

No.	Part No.	Code No.	Name	Version	Qty
13	J139-462-000	22002011005	BG2835B blue light strip	1.1	64.96 in(165cm)
	J139-441-000	22002015019	BG5050 white light strip	1.1	90.55 in(230cm)
14	J139-462-000	22002011005	BG2835B blue light strip	1.1	72.83 in(185cm)
	J139-441-000	22002015019	BG5050 white light strip	1.1	68.89 in(175cm)
15	J139-439-000	22002011003	BG2835G green light strip	1.1	35.43 in(90cm)
	J139-493-000	50801000010	Marquee display	1.1	1
16	J139-462-000	22002011005	BG2835B blue light strip	1.1	64.96 in(165cm)
	J139-441-000	22002015019	BG5050 white light strip	1.1	90.55 in(230cm)
17	J139-463-000	22801000085	Speaker	1.1	1
	J139-462-000	22002011005	BG2835B blue light strip	1.1	15.74 in (40cm)
	J139-441-000	22002015019	BG5050 white light strip	1.1	17.71 in (45cm)



No.	Part No.	Code No.	Name	Version	Qty
1	J139-421-000	21602020006	Power supply	1.1	1×2
2	J139-437-000	21714000148D	Fuse board(UL)	1.1	1×2
3	J139-444-000	21603000027	AC adapter	1.1	1×2
	J139-417-000	23301050002	Power cord	1.1	1×2
4	J139-416-000	21501000004	Sensor	1.1	1×2
5	J139-436-000	23309000348A	Cable set	1.1	1
6	J139-427-000	21602000122	Power supply	1.1	1×2
7	J139-468-000	23303000017	Serial port	1.1	1×2

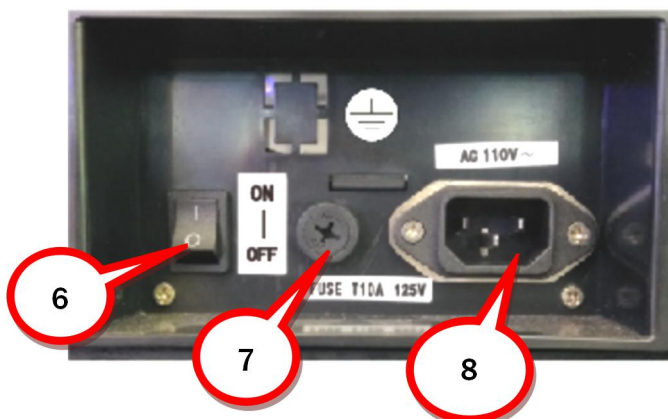
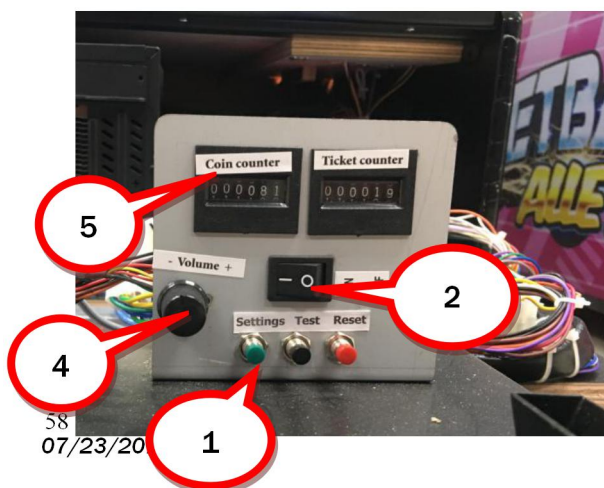
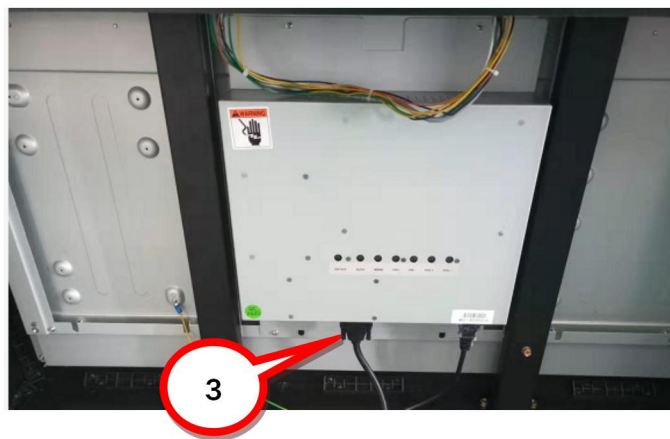


No.	Part No.	Code No.	Name	Version	Qty
1	J139-432-000	2.11.02.000139	PC	1.1	1
	J139-481-000	2.11.07.220014	Main board	1.1	1
	J139-482-000	2.11.07.010044	CPU	1.1	1
	J139-483-000	2.11.07.090031	Memory	1.1	1
	J139-484-000	2.11.07.060022	Hard disk	1.1	1
	J139-485-000	2.11.07.030098	Video card	1.1	1
	J139-486-000	2.11.07.170015	Power supply	1.1	1
	J139-489-000	2.11.07.070010	CPU fan	1.1	1
	J139-490-000	2.11.07.270037	PC case	1.1	1
2	J139-461-000	23304000019	Cable	1.1	1
3	J139-456-000	23304030004	Extension cable	1.1	1×2
4	J139-428-000	23305000010	Audio cable	1.1	1
5	J139-431-000	23307020001D	DVI cable	1.1	1
6	J139-423-000	22702000010	Fan net	1.1	2×2
	J139-422-000	22702010025	Fan	1.1	1×2
7	J139-442-000	29790300009	Amplifier	1.2	1×2
8	J139-433-000	29791300001A	M3 main board	1.1	1×2
9	J139-459-000	29711208002A	Driver board	1.1	1×2
10	J139-434-000	29711702008A	M3 expansion board	1.1	1×2

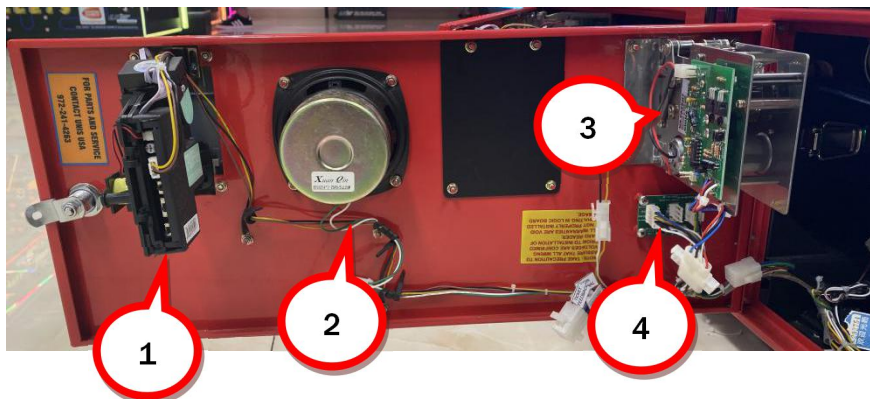
No.	Part No.	Code No.	Name	Version	Qty
11	J139-417-000	23301050002	Power cord	1.1	1
12	J139-470-000	23305000011	Audio cable	1.1	1
13	J139-430-000	23307010012	Video cable	1.1	1



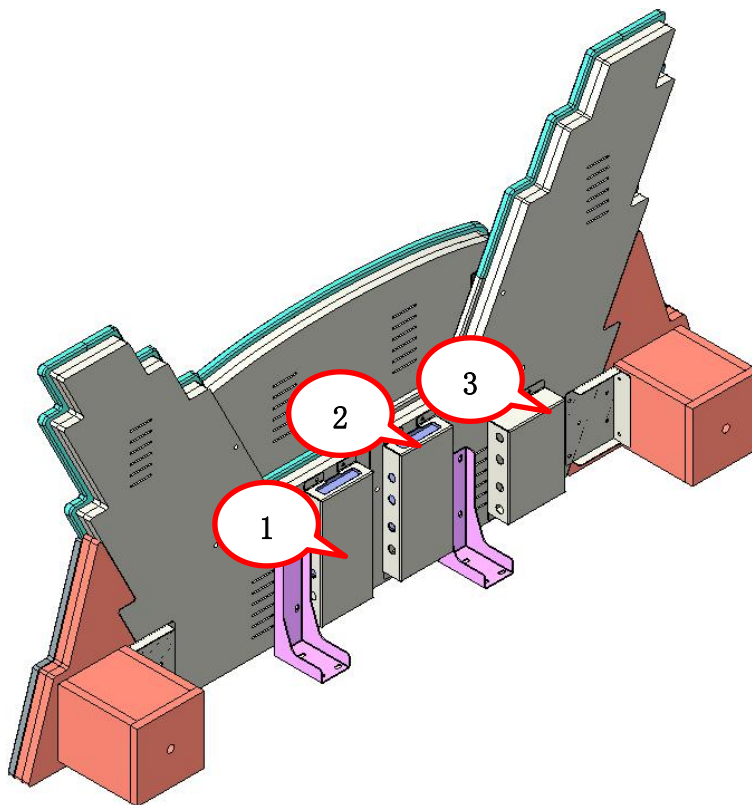
No.	Part No.	Code No.	Name	Version	Qty
1	J139-435-000	29711904001	LED light board	1.1	9×2
2	J139-416-000	21501000004	Sensor	1.1	1×2
3	J139-443-000	41300000007	Recovery stick	1.1	1
4	J139-458-000	21107020036	Dongle	1.1	1
	J139-469-000	23304000018	Cable	1.1	1



No.	Part No.	Code No.	Name	Version	Qty
1	J139-451-000	22402010002	Button(red)	1.1	1×2
	J139-450-000	22402030002	Button(green)	1.1	1×2
	J139-452-000	22402050001	Button(black)	1.1	1×2
2	J139-419-000	22601000005	Rocker SW	1.1	1×2
3	J139-429-000	23307020003B	DVI cable	1.1	1×3
4	J139-457-000	29791400001	POT board	1.1	1×2
5	J139-455-000	23000000006	Counter	1.1	2×2
6	J139-419-000	22601000005	Rocker SW	1.1	1×2
7	J139-424-000	21901000013	Fuse	1.1	1×2
	J139-418-000	21902000006	Fuse holder	1.1	1×2
8	J139-420-000	23201000001A	Filter	1.1	1×2



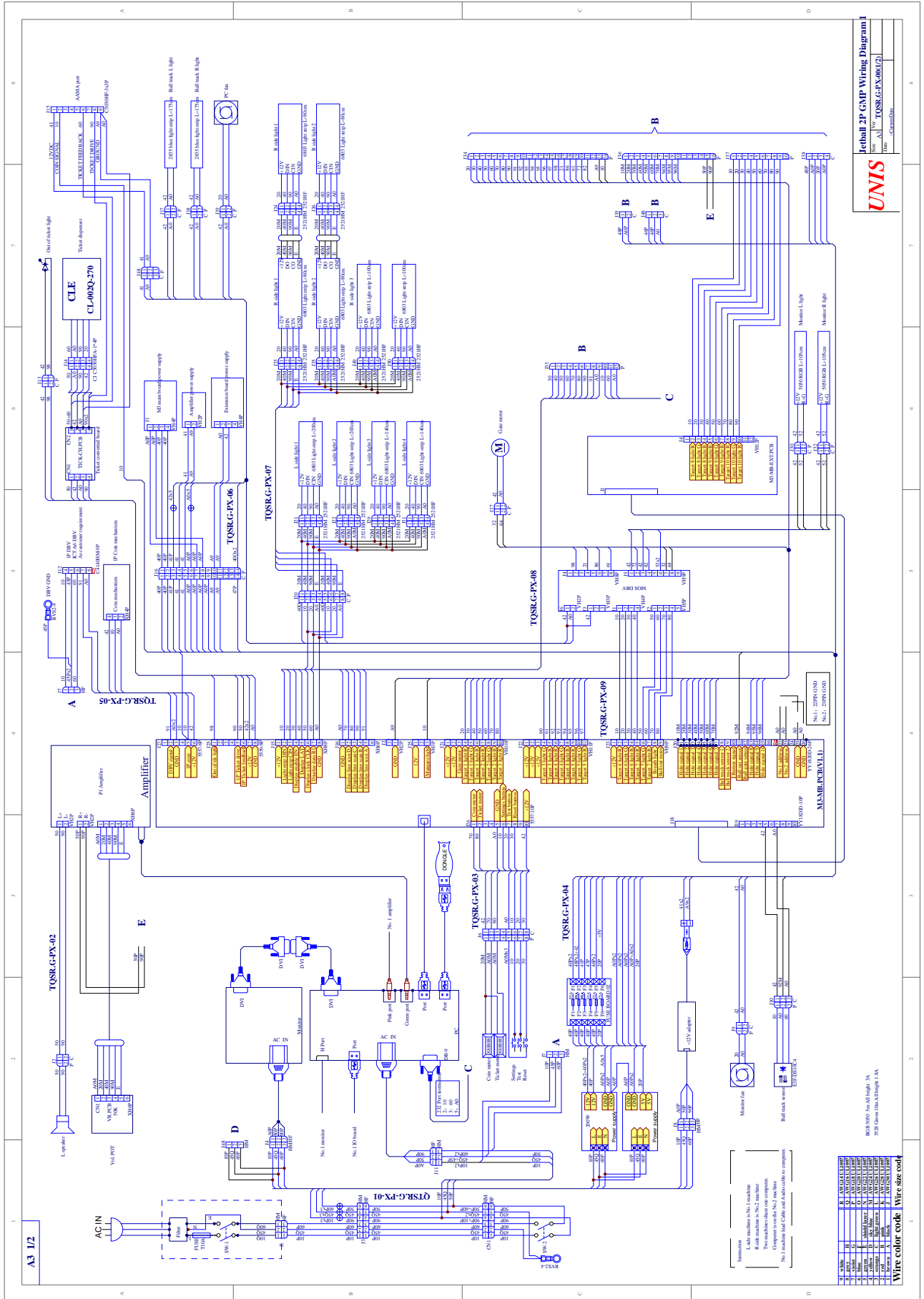
No.	Part No.	Code No.	Name	Version	Qty
1	J139-425-000	22301000002	Coin mechanism	1.1	1×2
2	J139-463-000	22801000085	Speaker	1.1	1×2
3	J139-445-000	23100000005	Ticket dispenser	1.1	1×2
4	J139-460-000	29790700002	Ticket converted board	1.1	1×2

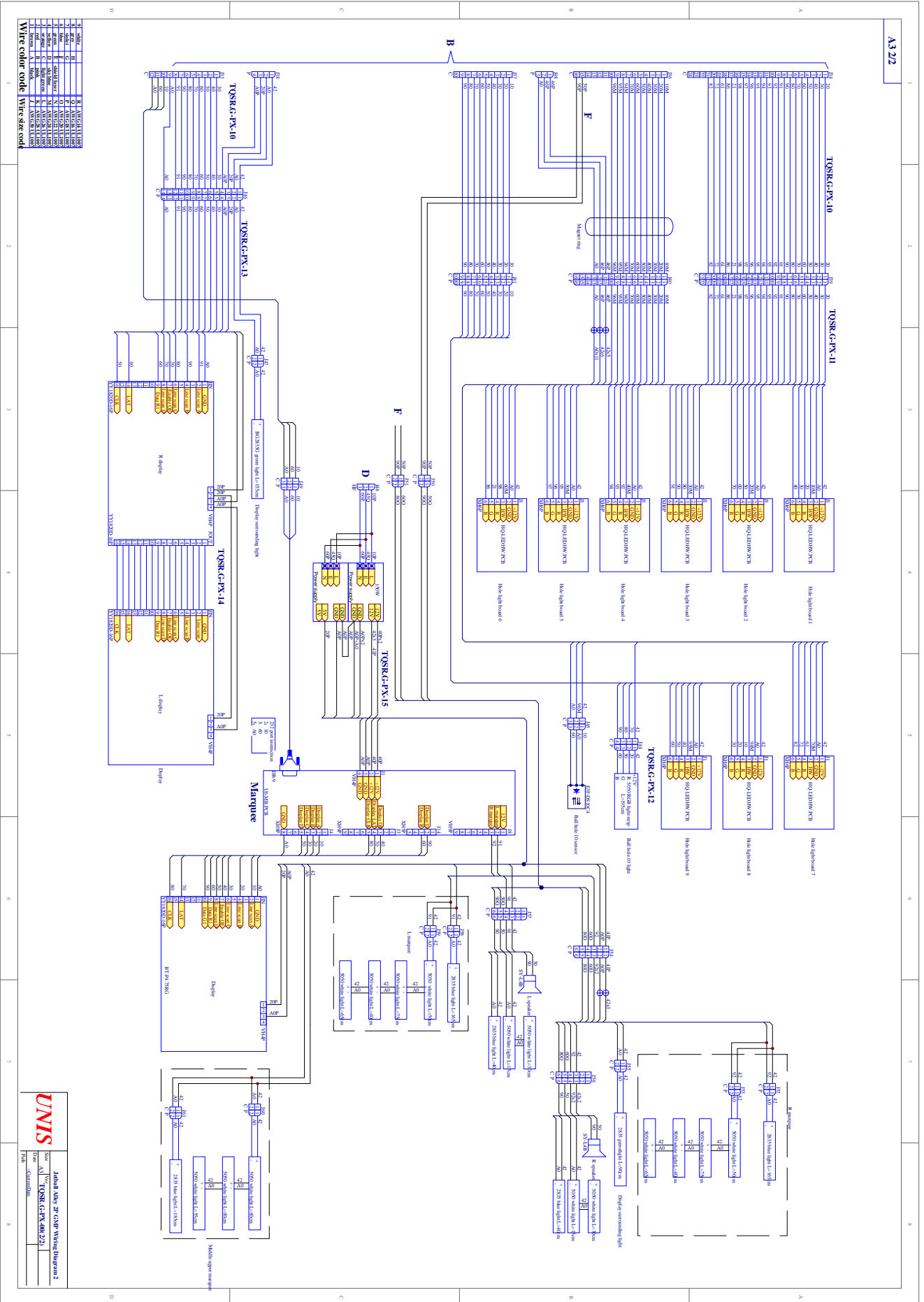


No.	Part No.	Code No.	Name	Version	Qty
1	J139-465-000	21602000114	Power supply(12V)	1.1	1
2	J139-427-000	21602000122	Power supply(5V)	1.1	1
3	J139-466-000	29790300007	Main board	1.1	1

www.universal-space.com

10. WIRING DIAGRAM





Wire color code	Wire size code
RED	1.0
ORANGE	1.0
YELLOW	1.0
GREEN	1.0
BLUE	1.0
PURPLE	1.0
BROWN	1.0
BLACK	1.0
WHITE	1.0
RED	1.5
ORANGE	1.5
YELLOW	1.5
GREEN	1.5
BLUE	1.5
PURPLE	1.5
BROWN	1.5
BLACK	1.5
WHITE	1.5
RED	2.0
ORANGE	2.0
YELLOW	2.0
GREEN	2.0
BLUE	2.0
PURPLE	2.0
BROWN	2.0
BLACK	2.0
WHITE	2.0
RED	2.5
ORANGE	2.5
YELLOW	2.5
GREEN	2.5
BLUE	2.5
PURPLE	2.5
BROWN	2.5
BLACK	2.5
WHITE	2.5
RED	3.0
ORANGE	3.0
YELLOW	3.0
GREEN	3.0
BLUE	3.0
PURPLE	3.0
BROWN	3.0
BLACK	3.0
WHITE	3.0
RED	4.0
ORANGE	4.0
YELLOW	4.0
GREEN	4.0
BLUE	4.0
PURPLE	4.0
BROWN	4.0
BLACK	4.0
WHITE	4.0
RED	5.0
ORANGE	5.0
YELLOW	5.0
GREEN	5.0
BLUE	5.0
PURPLE	5.0
BROWN	5.0
BLACK	5.0
WHITE	5.0

UNIS
 Jetball Alley 2P GMP Wiring Diagram 2
 Rev: 01 | TOSRC-G-PC-10-22
 Title: Connection