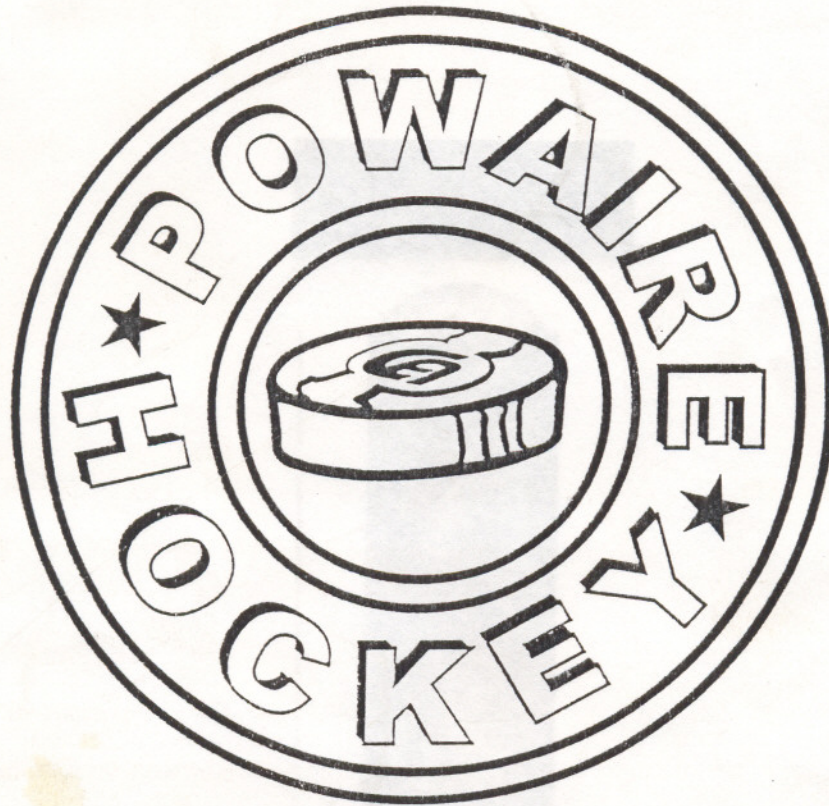


POWAIRE HOCKEY



OPERATOR'S MANUAL



**COASTAL
AMUSEMENTS INC.**

601 PROSPECT STREET
LAKEWOOD, NEW JERSEY 08701
908-905-6662 FAX 908-905-6815



Parts List

The following parts should be included with the Power Hockey Table:

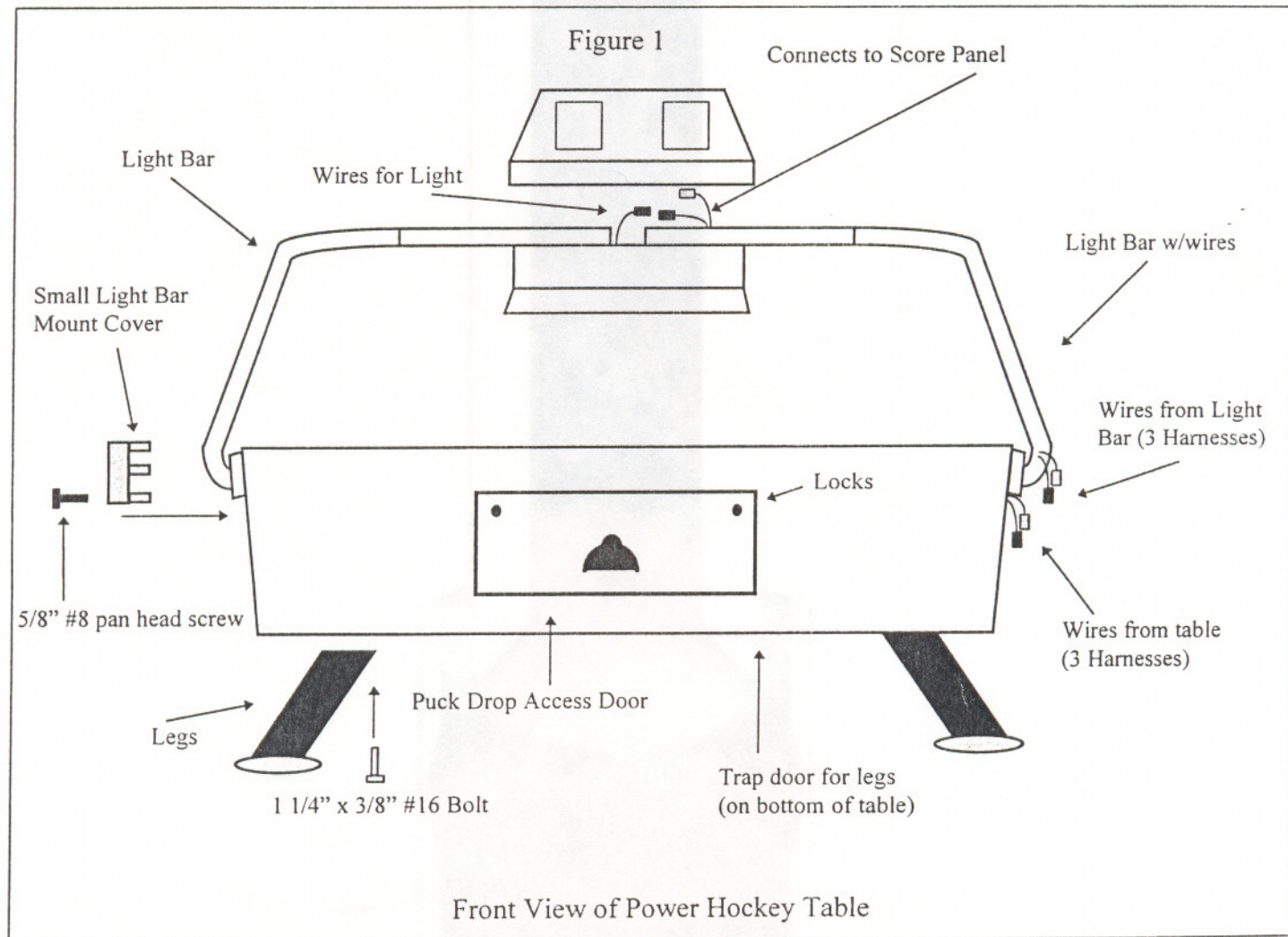
- 4 Legs with attached levelers (located inside trap door in base)
- 16 1 1/2" x 3/8" #16 bolts (attached to inside of trap door)
- 10 keys (8 taped to outside of coin mechanism and 2 inside)
- 2 mallets
- 1 puck

The following parts should be included with the Light Bar:

- 1 Light Bar with wires
- 1 Light Bar
- 1 Score Panel
- 1 Light Fixture
- 1 Large Light Bar mount cover
- 1 Small Light Bar mount cover
- 12 1 1/2" x 1/4" #20 bolts
- 4 1/2" x 1/4" #20 bolts
- 4 1/4" nuts
- 16 1/4" locking washers
- 4 1/4" washers
- 8 5/8" #8 pan head screws

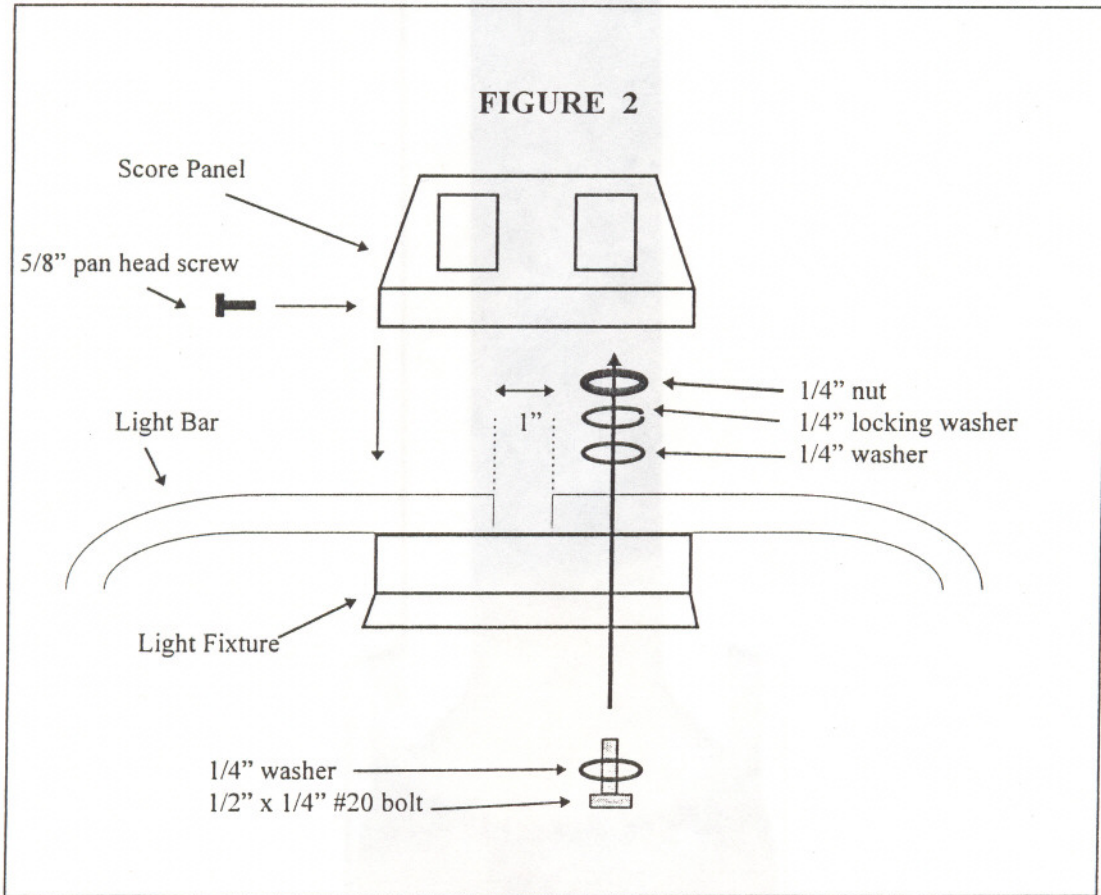
Setup Instructions

1. Locate keys taped to coin mechanism.
2. Open trap door on the bottom of the Power Hockey table.
3. Remove 4 legs with levelers, and a bag of (16) bolts attached to the inside of the trap door.
4. Attach legs to bottom of table using (16) 1 1/4" x 3/8" #16 bolts. (See figure 1)
5. Stand table upright.
6. Attach Light Bar as instructed in the next section.



Light Bar Assembly

1. Locate string taped to the side of the Power Hockey table.
2. Remove tape and pull out wire harnesses attached to the string.
3. Attach Light Bar with wire to the side on the table with exposed wire harnesses, using (6) 1 1/2" x 1/4" #20 bolts and 6 locking washers.
4. Attach remaining Light Bar to the other side of the table in the same way.
5. Attach Light Fixture to the Light Bars using: (4) 1/4" x 1/4" #20 bolts, (8) 1/4" washers, (4) 1/4" locking washers, and (4) 1/4" nuts. (See figure 2)



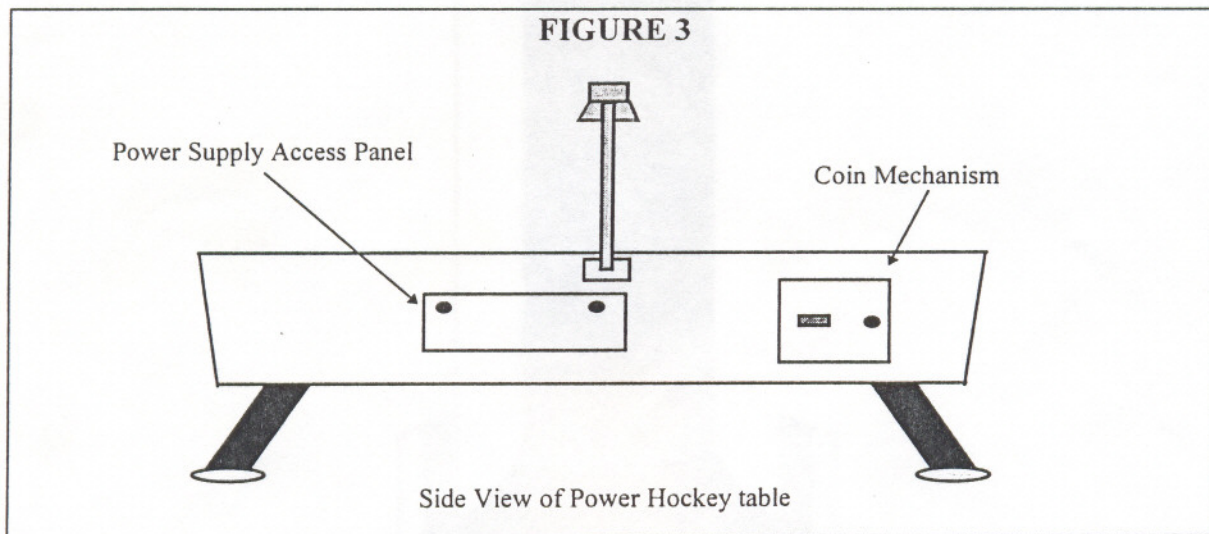
6. Connect wires from Light Fixture (2 pin connector) to matching connector in Light Bar.
7. Attach 25 pin harness from light bar to the Score Panel at connector marked "INTERFACE". NOTE: Make sure the notches on the harness face center of the circuit board when you attach it to the board.
8. Screw score panel to the light assembly with (4) 5/8" #8 pan head screws.
9. Connect three wire harnesses to their mates at the base of the light bar.
10. Attach Large Light Bar Mount Cover at the base of the Light Bar with the wires using (2) 5/8" #8 pan head screws.

Setting up the game options

The Power Hockey game has the following factory set defaults:

1 coin mechanism throw allows 1 game with a maximum game time of 5 minutes.

To change these settings, refer the DIP switch setting sheet attached to the inside of the power supply access door (see figure 3). In order to change the coins required per game play, please refer to the enclosed instructions for the coin mechanism.



11. Attach the Small Light Bar Mount Cover on the opposite side.

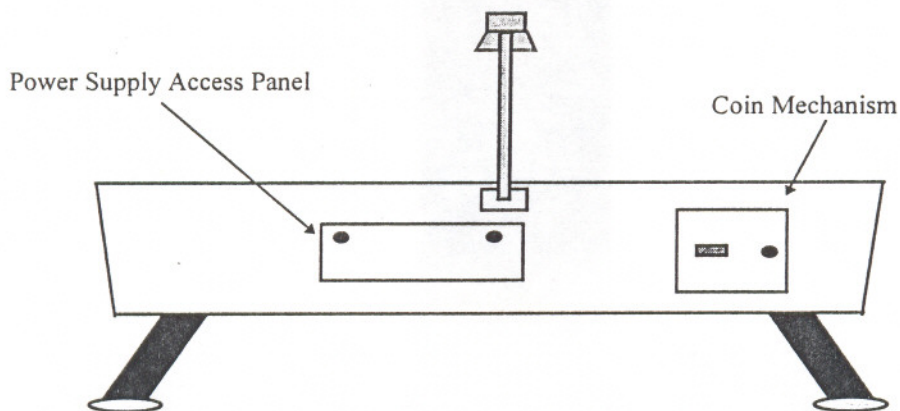
Setting up the game options

The Power Hockey game has the following factory set defaults:

1 coin mechanism throw allows 1 game with a maximum game ti

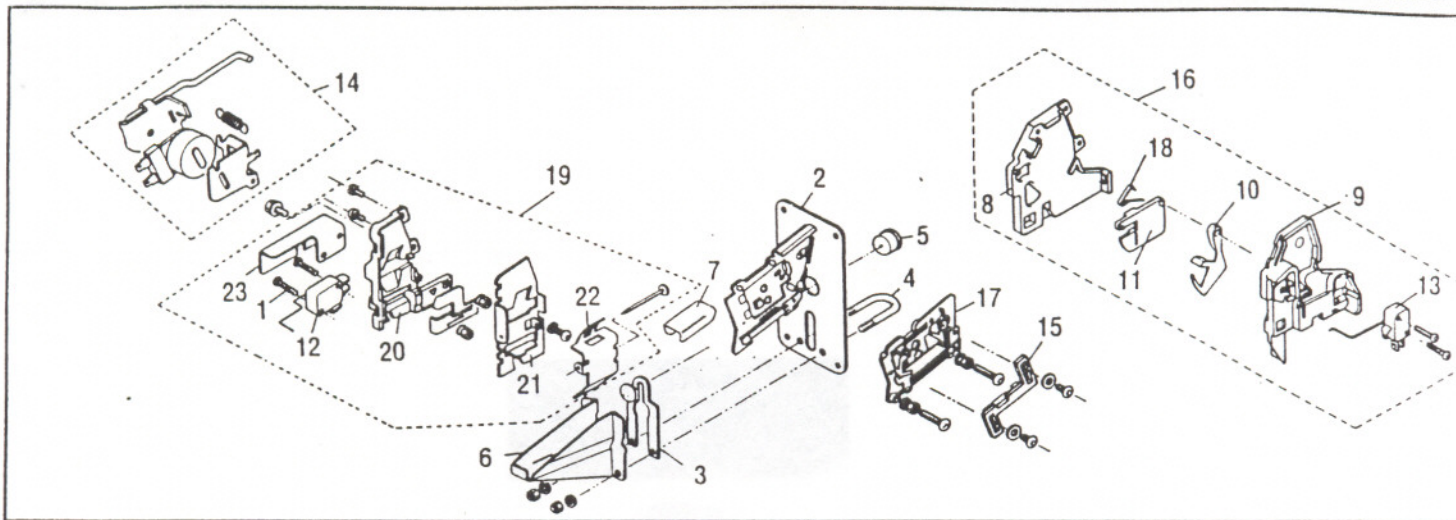
To change these settings, refer the DIP switch setting sheet attached to the power supply access door (see figure 3). In order to change the coin mechanism settings for game play, please refer to the enclosed instructions for the coin mechanism.

FIGURE 3



Side View of Power Hockey table

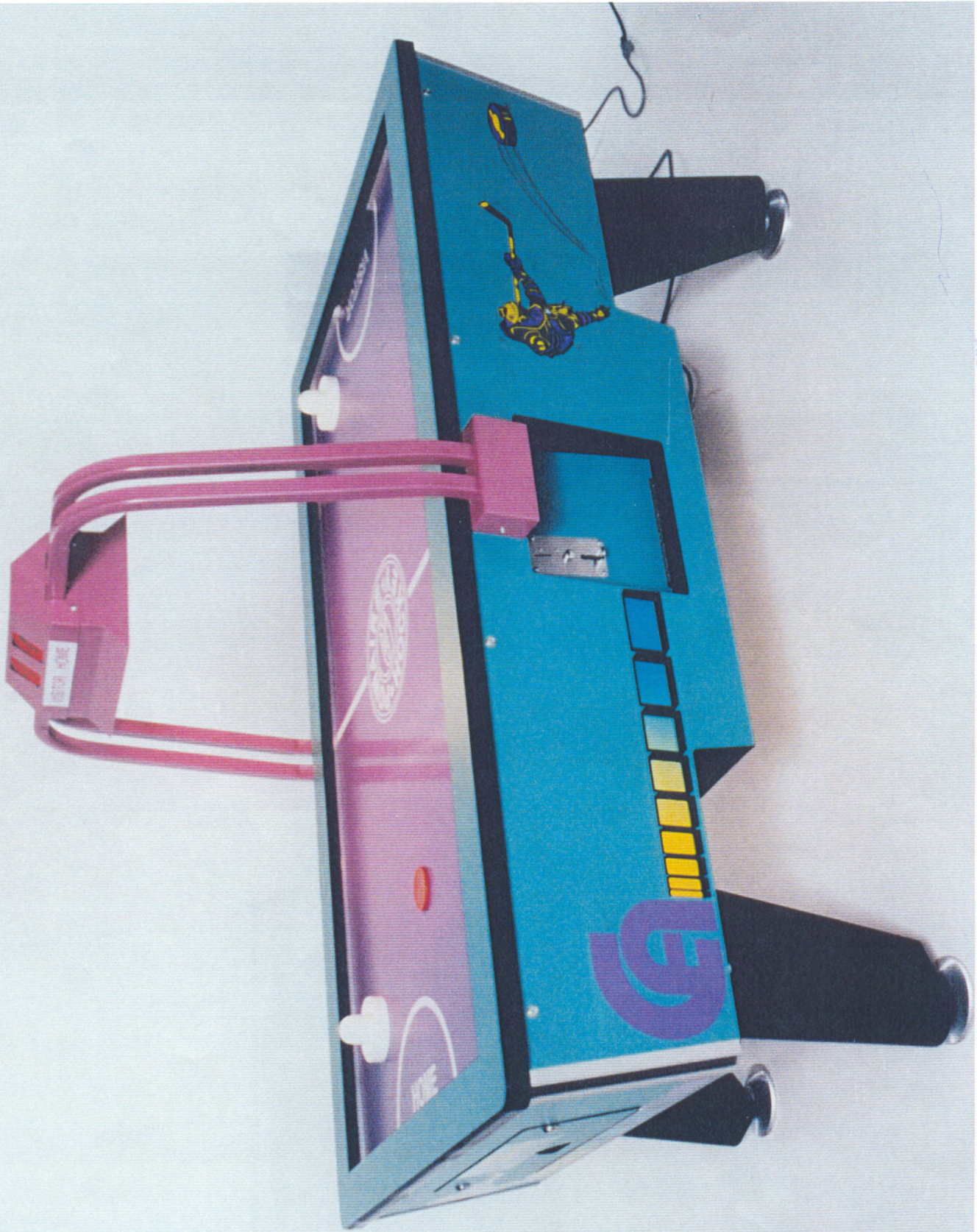
S-1 Roll Down Acceptor



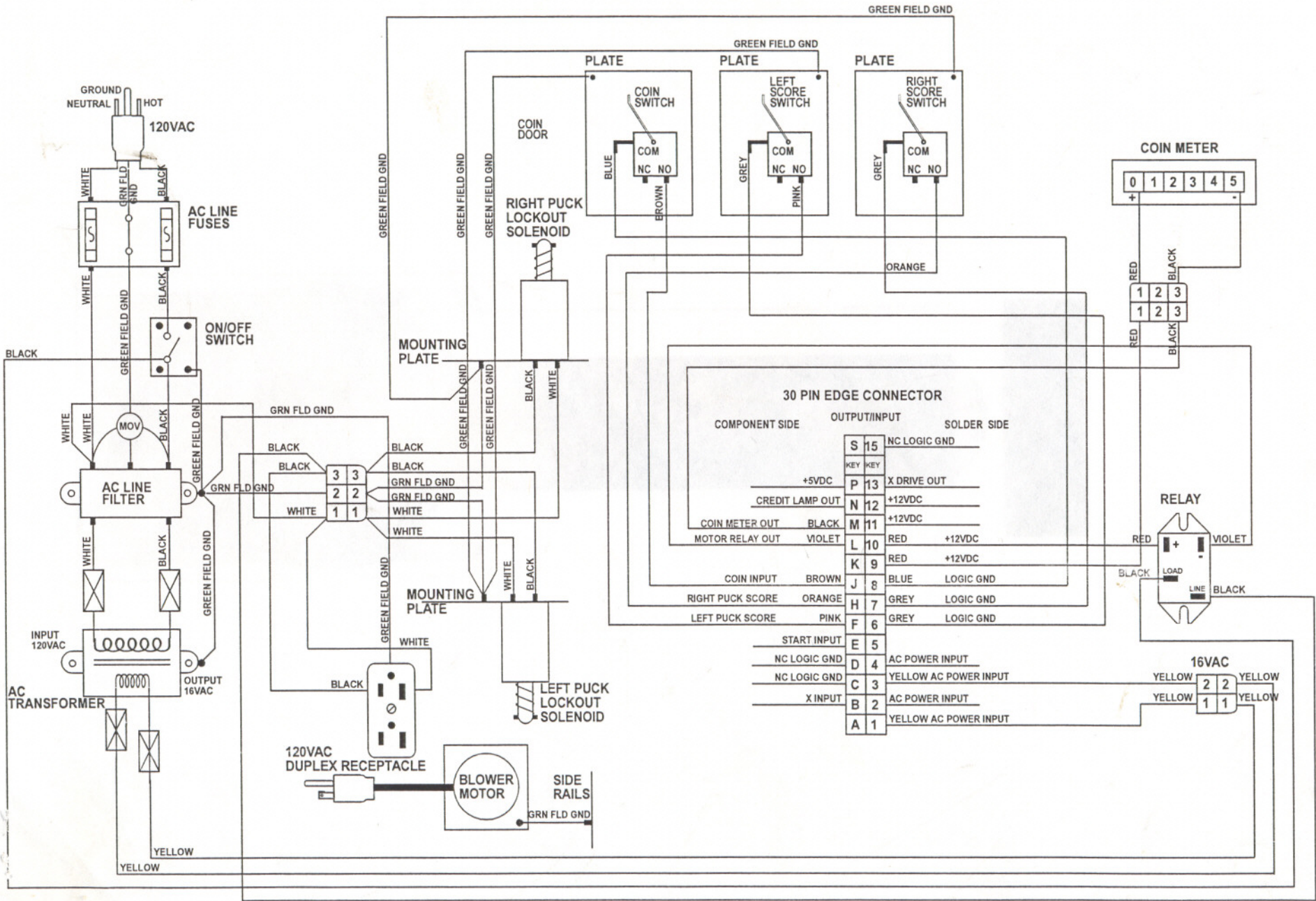
Part #	Description
1)	90-1008-00 Microswitch Screw
2)	93-0101-00 S-1 Front Plate
3)	93-0102-00 Button Spring
4)	93-0103-00 U-Bolt, Nuts & Washer
5)	93-0104-00 Reject Button
6)	93-0105-00 Return Chute
7)	93-0108-00 Bulldog Spring
8)	93-0113-00 Fixed Side, Plastic
9)	93-0114-00 Removable Side, Plastic
10)	93-0115-00 Interlock, Plastic
11)	93-0116-00 Coin Guide
12)	93-0118-10 Microswitch Red, Metal
	93-0118-11 Microswitch White, Metal

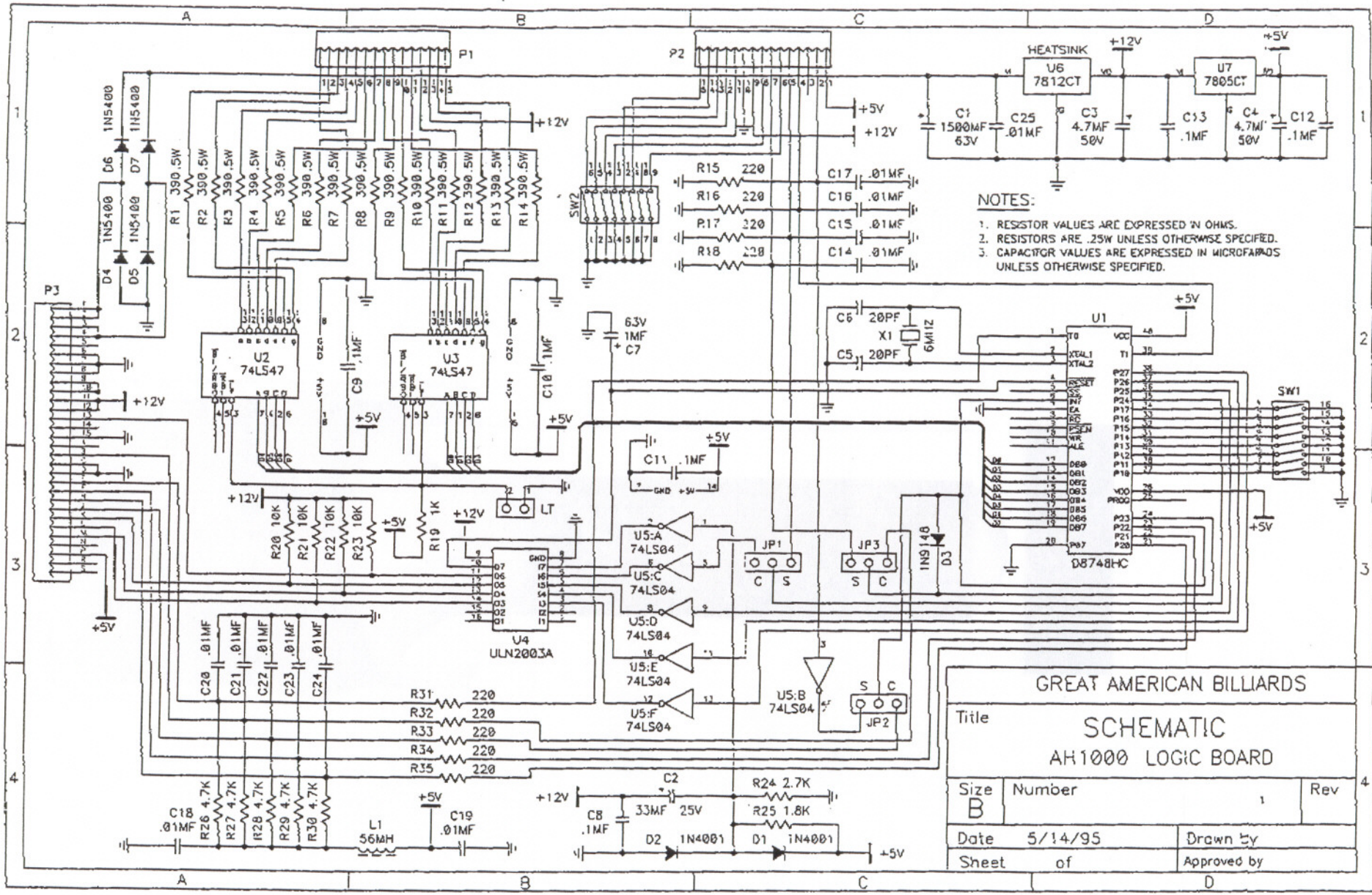
Part #	Description
	93-0118-16 Microswitch Black, Metal
13)	93-0120-10 Microswitch Red, Plastic
	93-0120-11 Microswitch White, Plastic
	93-0120-16 Microswitch Black, Plastic
14)	93-0122-00 12V DC Lockout Assembly
15)	93-0126-00 Milled Slider Bar
16)	93-0129-10 Microswitch Assembly Red, Plastic
	93-0129-11 Microswitch Assembly White, Plastic
	93-0129-16 Microswitch Assembly Black, Plastic

Part #	Description
17)	93-0133-00 Gate Assembly
18)	93-0139-00 Rail Clip
19)	93-0140-10 Microswitch Assembly Red, Metal
	93-0140-11 Microswitch Assembly White, Metal
	93-0140-16 Microswitch Assembly Black, Metal
20)	93-0213-00 Fixed Side, Metal
21)	93-0214-00 Removable Side, Metal
22)	93-0215-00 Interlock, Metal
23)	93-0218-00 Microswitch Cover



GREAT AMERICAN BILLIARDS POWER HOCKEY WIRING DIAGRAM





- NOTES:**
1. RESISTOR VALUES ARE EXPRESSED IN OHMS.
 2. RESISTORS ARE .25W UNLESS OTHERWISE SPECIFIED.
 3. CAPACITOR VALUES ARE EXPRESSED IN MICROFARADS UNLESS OTHERWISE SPECIFIED.

GREAT AMERICAN BILLIARDS

Title
SCHEMATIC
AH1000 LOGIC BOARD

Size	Number	Rev
B	1	4
Date	5/14/95	Drawn by
Sheet	of	Approved by