



GMP VERSION



Operation Manual



www.universal-space.com

CONTENT

IMPORTANT SAFETY INSTRUCTIONS.....	2
1. SPECIFICATIONS.....	4
2. PACKAGE CONTENTS.....	5
3. PART NAME.....	6
4. SET UP & INSTALLATION.....	7
5. HOW TO PLAY.....	10
6. GAME OPTION.....	12
7. ERROR MESSAGE AND RECOVERY.....	13
8. MAINTENANCE & INSPECTION.....	14
9. OVERALL CONSTRUCTION.....	16
10. DECALS.....	28

Non-technical personnel who do not have technical knowledge and Expertise should refrain from performing such work that this manual require or perform tasks which are not explained in this manual. Failing to comply can cause severe accidents such as electric shock or other serious injuries. All repairs must be performed to original manufacturer specifications.

WARNING: To reduce the risk of fire, electric shock or personal injury, unplug or disconnect the machine from the power supply before servicing.

Thank you for purchasing **AFTER DARK STD**. We hope you enjoy the product.

This manual contains valuable information about how to operate and maintain your game machine properly and safely. It is intended for the owner and/or personnel in charge of product operation. Carefully read and understand the instructions.

If you need any help during installation and setup please utilize this manual and troubleshooting guide. If the product fails to function properly, *non-technical personnel should under no circumstance attempt to service the machine*. Contact your distributor or manufacturer for help.

Before use, please read **IMPORTANT SAFETY INSTRUCTIONS**.

IMPORTANT SAFETY INSTRUCTIONS

To ensure the safe usage of this product, carefully read and understand these instructions before operating your game.

Save these instructions for future reference.

Use this product only as described in this manual. Other uses not recommended may cause fire, electric shock or personal injury. Unplug the game from the outlet when not in use, when moving from one location to another, and before cleaning/servicing.

Explanations which require special attention are indicated by signs of warning.

Depending on the potential hazardous degree, the terms: **NOTE**, **NOTICE**, and **WARNING** are used.

NOTE: A NOTE indicates useful hints or information about product usage.

NOTICE: A NOTICE indicates potential damage to product and how to avoid the problem.

WARNING: A WARNING indicates a potential for product damage or serious personal injury.

It is important to understand the meaning of the following HAZARD SIGNS before continuing:

High Voltage and Shock Hazard:

High voltage can cause electric shock.
Turn off/unplug power before servicing.



High Temperature Hazard:

This part may cause scalding.
Do not touch. Surface may be hot.



No Touching Hazard:

This part may be hot or can cause electric shock.
Do not touch.



Use the following safety guidelines to help ensure your own personal safety and to help protect your equipment and surrounding environment from potential damage.

 **This product is an indoor game machine. Do not install outdoors.**

Avoid installing in the following places to prevent fire, electric shock, injury and/or machine malfunctioning:

- Places subject to rain/moisture, or places subject to high humidity.
- Places subject to direct sunlight, or places subject to extremely hot or cold temperatures to ensure that it is used within the specified operating range.
- Places where inflammable gas may be present or in the vicinity of highly inflammable/volatile chemicals or items that can easily catch fire
- On unstable or sloped surfaces. The machine may topple or cause unforeseen accidents.
- Vicinity of fire exits, fire extinguishers etc that may block/prevent safety measures

IMPORTANT NOTE:

ALL REPAIRS MUST BE DONE TO ORIGINAL MANUFACTURER SPECIFICATIONS. FAILURE TO DO SO VOID ALL WARRANTIES AND OPERATOR ASSUMES ALL RISKS.

Note: The contents of this manual may be updated without notice.

1. SPECIFICATIONS

Rated power supply: AC110V 50/60Hz

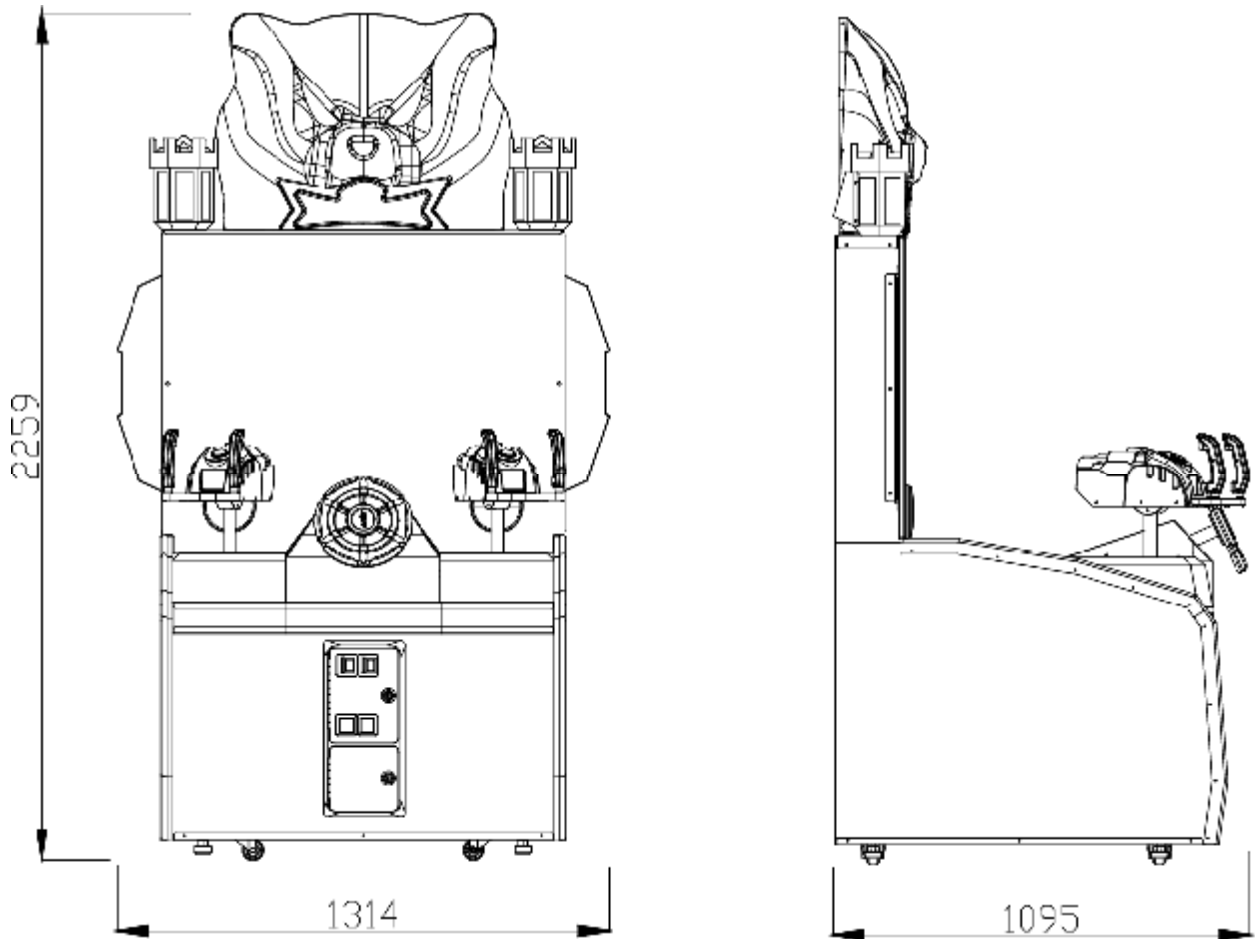
Min. Power consumption: 340W

Max. Power consumption: 365W

Dimensions: W1314×D1095×H2259 (mm)

Weight: Approximately 150kg

! **NOTICE:** After turning off the game, please wait at least 1 minute before restarting again.







Note: Game parameters are subject to change without notice.

! **NOTICE:** After turning off the game, please wait at least 1 minute before restarting again.

2. PACKAGE CONTENTS

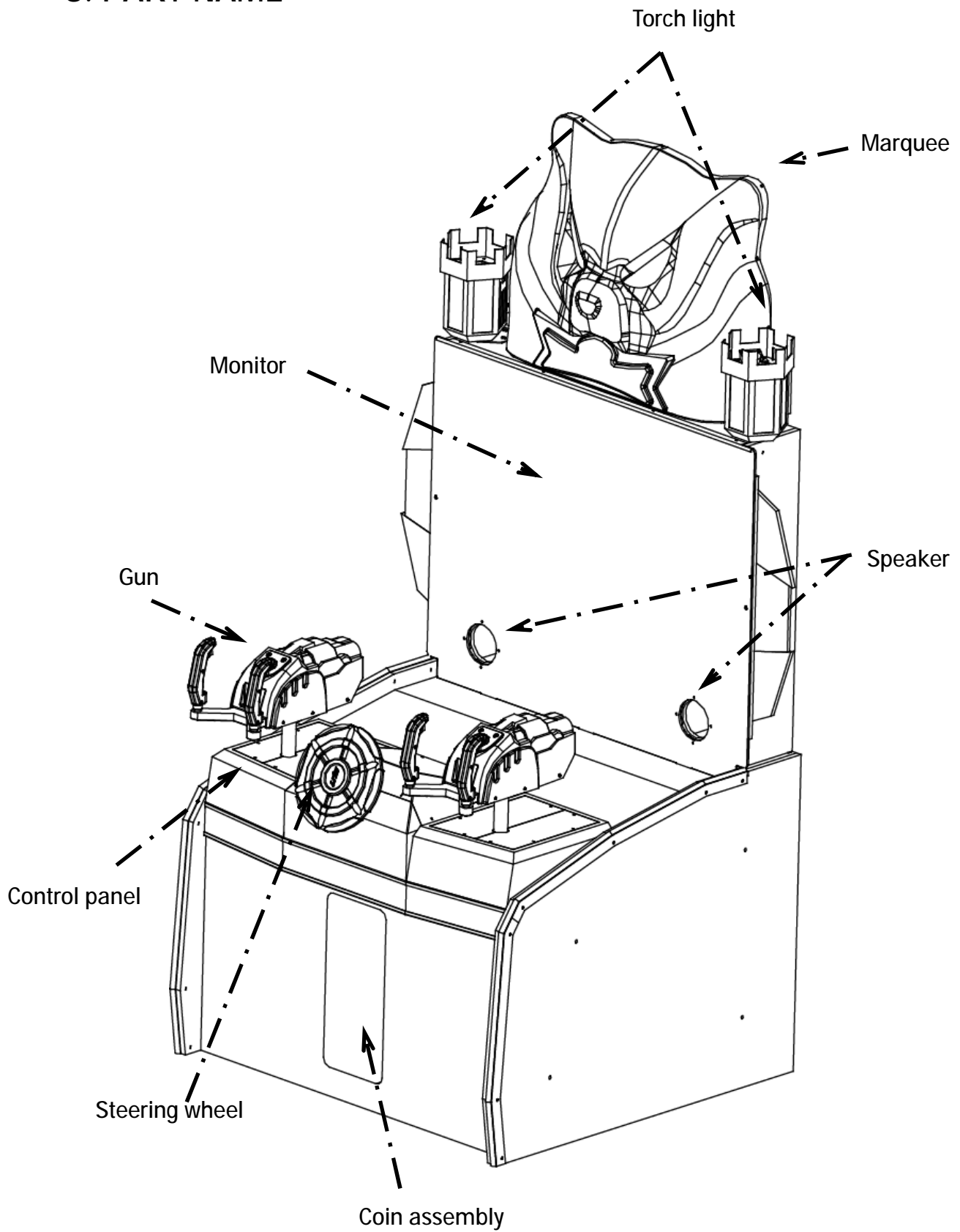
Open the package and make sure all the items are included:

1. 1 x Body Assembly
2. Following accessories

No.	Part No.	Code	Name	Spec.	Qty	Picture
1	A107-726-000	21901000012	Fuse	5A/250V Φ 5X20mm	1	
2	A107-727-000	21901000030		10A/125V Φ 5X20mm		
3	A107-728-000	41441216A	Manual	ENGLISH	1	
4	A107-729-000	25300171002	Key	171	3	
5	A107-730-000	25302222002		2222	2	

NOTE: Part models are subject to change without notice.

3. PART NAME



4. SET UP & INSTALLATION

! This product is an indoor game machine. Do not install outdoors.

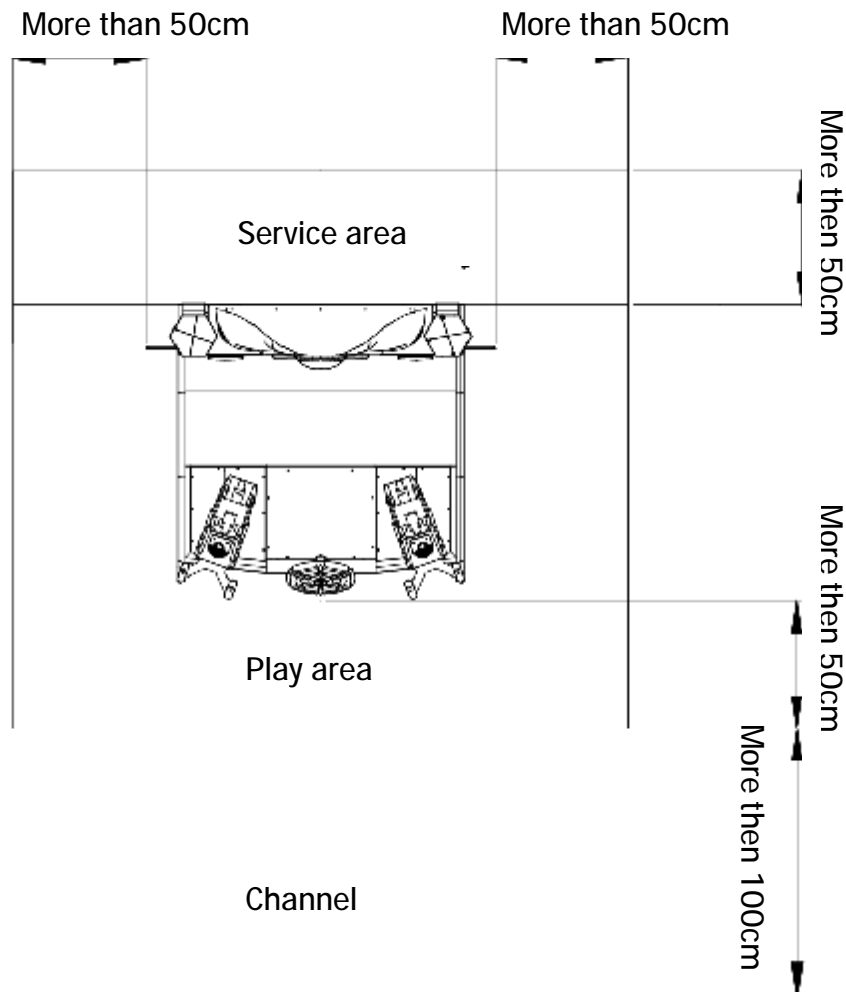
- I Refer to IMPORTANT SAFETY INSTRUCTIONS (Pg. 2) for places to avoid
- I Place the unit on a dry level surface
- I Ventilation openings in the back of the unit must not be obstructed by objects or by wall.

4.1 Play Zone

This machine requires space for playing and for maintenance as shown below.
Leave space around the game upon installation:

Service area: 500mm

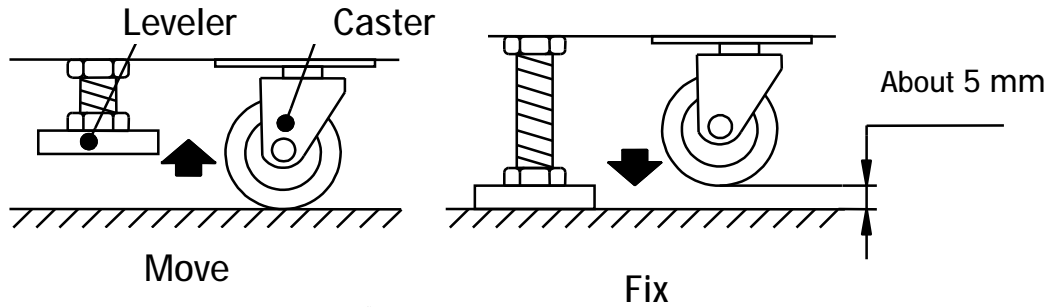
Play area: 500mm



4.2 Level Adjustment

Install this machine on a flat surface. Adjust levers to lift casters off the ground to level the game. If the game is installed on an unsuitable floor, it could cause game malfunction.

To secure the game, adjust the Leveler down until it touches the floor, lifting the casters off the ground by 5mm. Repeat the same for all levelers.

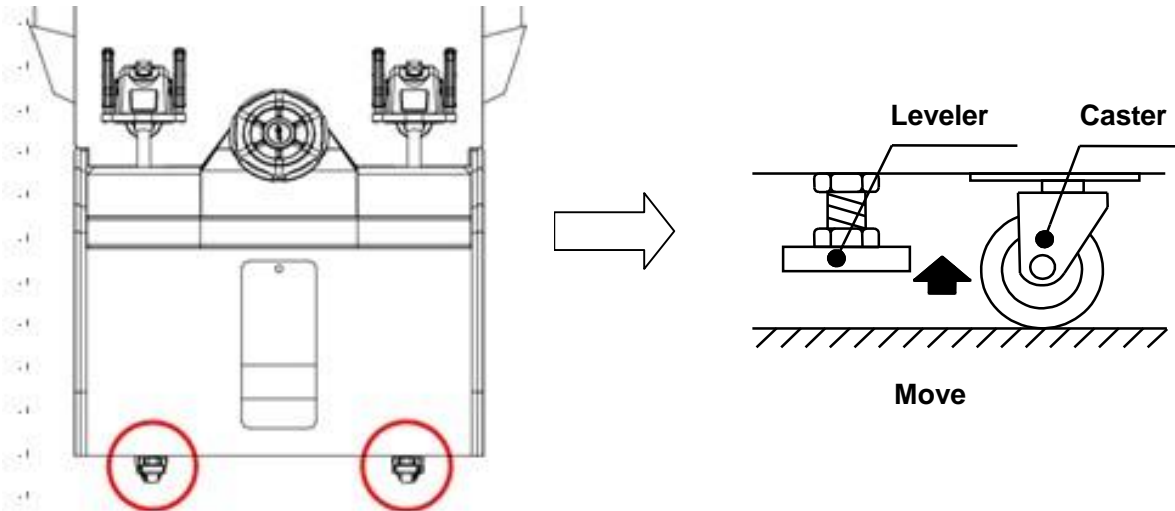


NOTICE

Make sure the machine is level with the ground and all the adjustable legs should stick to the floor closely.

4.3 Transporting the Game

If you need to move the game, adjust the levelers back to an “up” position so the casters touch the ground.



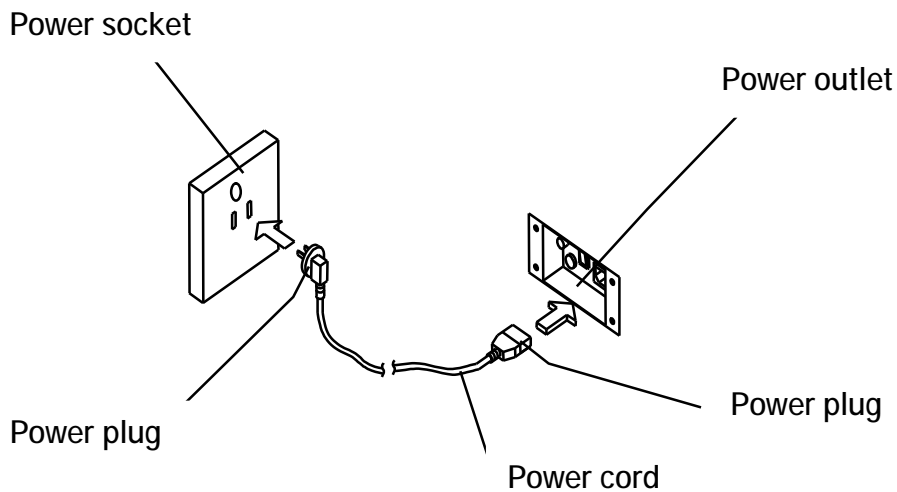
NOTICE

- Be careful not to damage the machine during transport.
- The machine should be handled with care when bringing it down from a higher level.
- Always unplug the game before moving.
- Keep the machine in upright position during transport.
- For longer distance transport, package the game properly to prevent damages.

4.4 Connecting Power

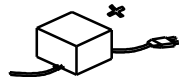
! **WARNING:** Check the voltage rating before you connect the equipment to an electrical outlet to ensure that the required voltage and frequency match the available power source. Please refer the label of the machine.

- Do not plug the equipment power cables into an electrical outlet if the power cable is damaged.
- Avoid putting many loads on one electrical outlet as it could generate heat and fire resulting from overload.
- Connect the grounding conductor to the earth terminal (GND):

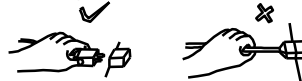


! **WARNING**

Ensure no heavy objects rest on the power cord. Check to make sure the game cabinet does not sit on the power cord as this could damage the cord and become hazardous.



To disconnect the game, grip the plug and pull it from the wall outlet. Never pull by the cord.



To prevent electric shock, do not touch the power plug when hand is wet.

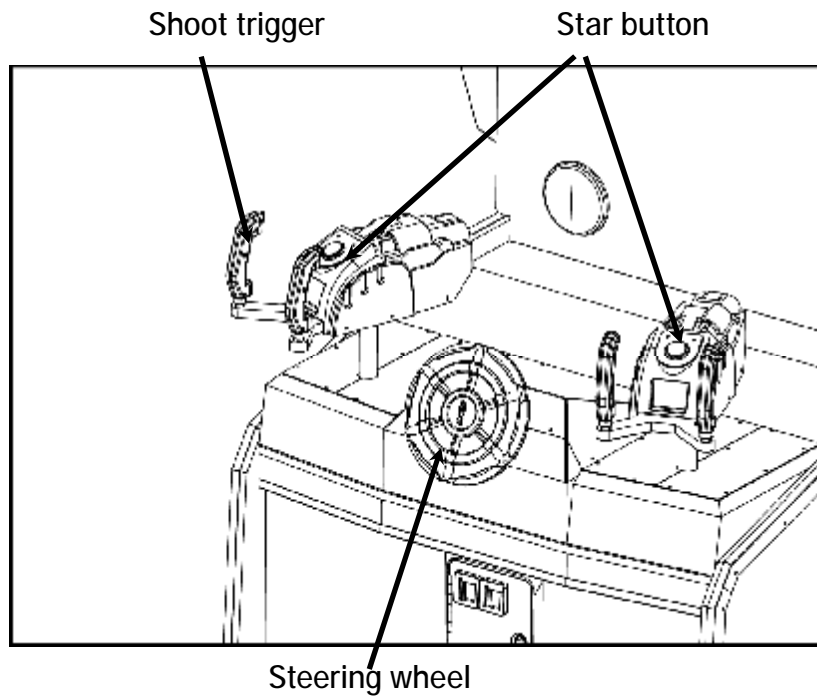


Ensure that nothing rests on the power cord and that it is not located where it can be stepped on or tripped over.



5. HOW TO PLAY

5.1 Control panel assembly instruction:



5.2 How To Play

5.2.1 Basic rules

1. Shoot enemies, monsters and obstacles.



2. Reduce HP if you are injured and fail to follow the instructions turn the steering wheel. Game over when HP reduces to 0.
3. If appear circular target sign, please shoot it.



4. Circular target sign have normal sign and gold sign. Gold sign is difficult to destroy, please double punch.



5. Shoot wooden cask random covered with glowing restored HP or increase scores, increase the total score.

6. When 2 people play the game, will be evaluation match rate in the report. If skillfully joint shooting, knock down the enemies, in steering wheel scenes can skillfully out of danger, will be highly evaluation.

5.2.2 Operational method

1. Choose stage

Appear stage selected decal when start the game. Move gun to move cursor in 20s and pull the trigger can choose stage.



2. Firing bullets

Pull the trigger or firing button to fire bullets. Press trigger poured bullets.

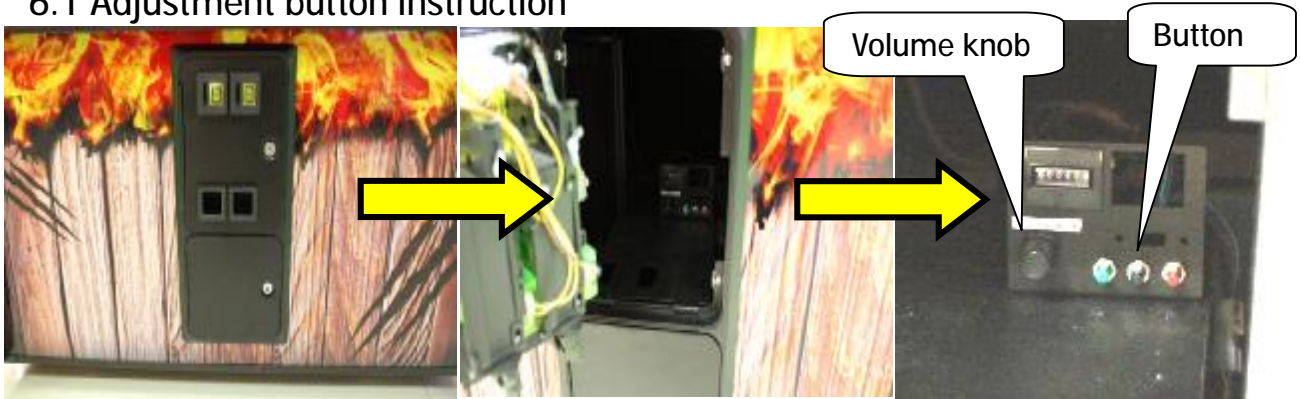
3. Control steering wheel

In the game, will appear scene that operating space ship or car and avoiding enemies attack. Screen will appear turn steering wheel decal right now. Please accord to the tip and out of danger.



6. GAME OPTION

6.1 Adjustment button instruction



You can see adjustment button after open console coin door, control button in order from left to right are confirmed button, upward button and downward button. Press the control button, then enter into setting menu.



6.2 Gun calibration instructions

According to 6.1 enter setting menu, select "gun calibration" option, enter gun calibration.

1. Enter calibration move gun to the top left corner, when gun can't move as a proper place, pull the trigger to confirm.
2. Then move the gun to lower right corner, when gun can't move, pull the trigger to confirm.
3. Press the confirm button to save& exit.

Note: The gun calibration must be in accordance with the step order, if upset sequence can make gun reverse.

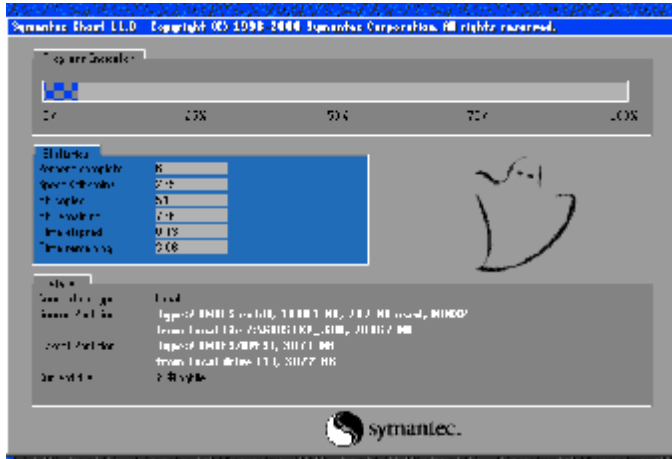
7. ERROR MESSAGE AND RECOVERY

7.1 Trouble Shootings

I Please confirm whether every connector connected tightly.

Troubles	Cause	Methods
Cannot start	Frame assembly connector fall off	Please plug in connector tightly
	Frame assembly fault	Please contact with dealer
Power cutting	Circuit protector make power SW in cutting state	Please turn on power SW again. If appeared again and again, machine has anomaly. Please contact with dealer
Coin mech. no reaction	Coin mech. fault	Change coin mech.
	Coin mech. signal cable loosen	Check coin mech. signal line loosen or not
	IO control board fault	Change IO board
Speaker no sound	Volume set too low	Please raise the volume
	Connector falls off	Please plug in connector tightly
	PCB fault	Please change PCB
	Speaker fault	Please change speaker
Monitor black screen	Connector falls off	Please plug in connector tightly
	Monitor fault	Please change monitor
Monitor blue screen	PC power cord is loose	Check PC power cord whether is loose.
	VGA signal cable is loose.	Check VGA signal whether is loose.
	PC video card is loose.	Plug video card again.
	PC into protection	Open front cover, if power on light flash all the time. Press power button 30s, then restart. If no work, please call Lenovo: 8008108888
Playing normal, but appear system halted	Video card is loose or poor contact	Plug video card again
	PC crash	Restart or system recovery
Gun no reaction	POT no initialize	Please initialize it
	Connector falls off	Please plug in connector tightly
	POT install error	Please install POT correctly
	POT fault	Please change POT
Trigger no reaction	Connector falls off	Please plug in connector tightly
	Micro SW fault	Please change micro SW
Start button no reaction	Connector falls off	Please plug in connector tightly
	Button breakdown	Please change star button
Gun doesn't shock	PCB fault	Please change PCB
	Shock assembly fault	Please change shock assembly
Steering wheel not work	Connector falls off	Please plug in connector tightly
	Sensor fault	Please change sensor
Gun thumb error	Thumb position error	Please calibrate gun assembly
	Thumb reverse	Gun calibrate reverse

7.2 System Recovery Operation



1. Turn off the game. Insert the memory stick into the USB port at the back of the computer.

2. Restart PC to enter the system recovery screen as shown.

3. The game will automatically start recovery which will last about 5 minutes.

Please wait until process is complete.
Please wait until process is complete.



4. Once system recovery is finished (as shown on the left), remove the USB flash drive from the computer and turn off the PC. Wait at least 30 seconds before restarting the PC.



WARNING: the USB flash drive should only be used to fix software errors. Using it for other purposes may cause unexpected results and damages.

8. MAINTENANCE & INSPECTION

8.1 Safety Check

Check the points listed before operating the machine. These checks are necessary for safe machine operation:

1. Try to run the game before operation each day.
2. Conduct monthly routine checks of game components ensure good working condition
3. Check the machine regularly for dust and clean when necessary.

Note: Parts and components require preventative maintenance to be kept running smoothly

8.2 Handling Precautions

When installing or inspecting the machine, be very careful of the following points and pay attention to ensure that the player can enjoy the game safely.

Non-compliance with the following points or inappropriate handling running counter to the cautionary matters herein stated can cause personal injury or damage to the machine



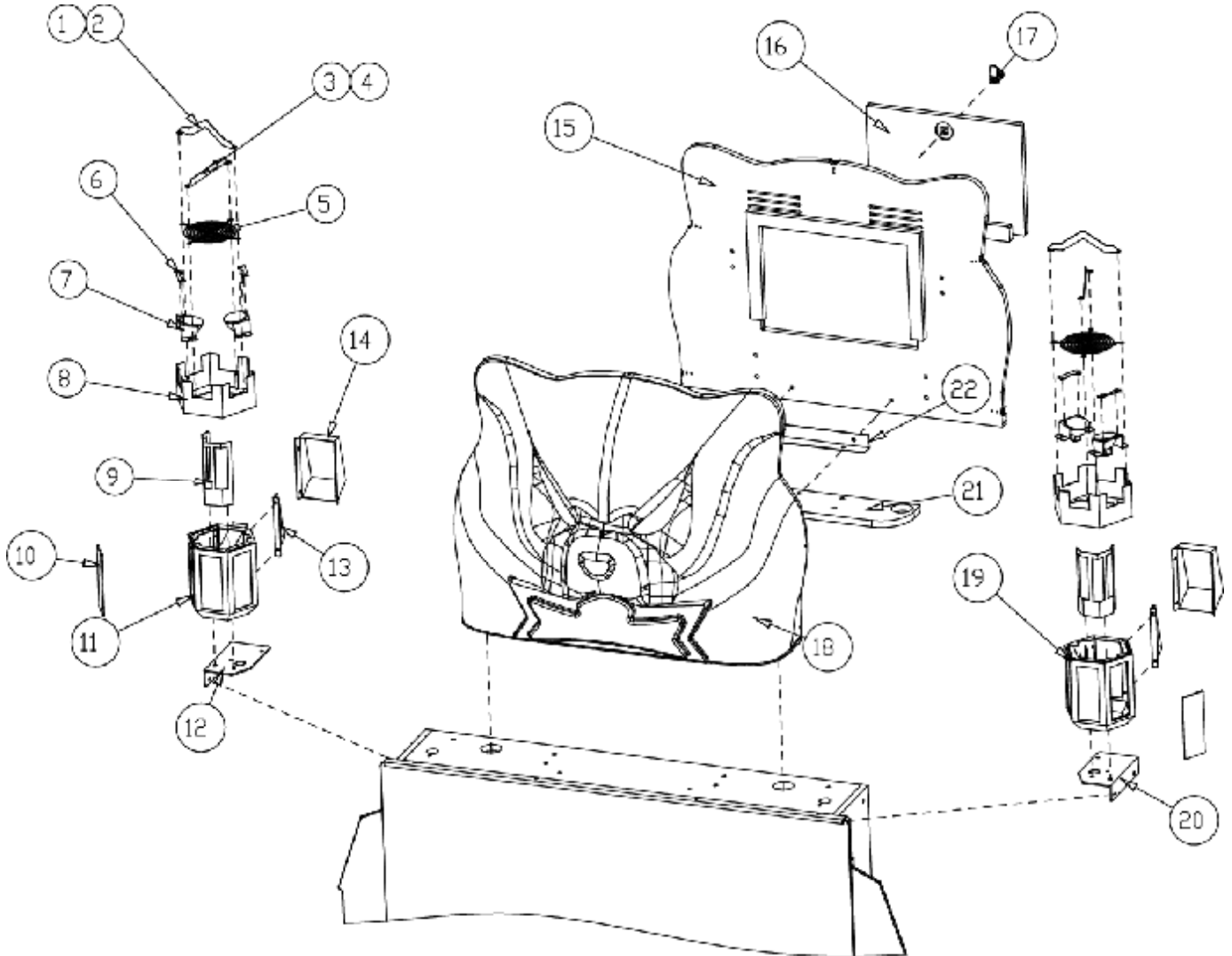
WARNING

- Before servicing the machine, be sure to turn power off. Servicing without turning the power off can cause electric shock or short circuit.
- To avoid electric shock or short circuit, do not plug then unplug the power quickly
- Do not expose power cords and earth wires, these are susceptible to damage.
- Damaged cords and wires can cause electric shock or short circuit and should be replaced immediately.
- When or after installing the product, avoid pulling the power cord to prevent unnecessary wear and tear. Use the power button to disconnect power.
- In case the power cord is damaged, ask for replacement through where the product was purchased from or replace locally. Continued usage of damaged cord can cause fire, electric shock or leakage.
- Perform grounding appropriately. Inappropriate grounding can cause electric shock.
- Use fuses that meet specified rating. Fuses exceeding can cause an electric shock.
- Should a problem occur, turn off the power immediately and stop operating the machine. Unplug the power cord of the service outlet. Operating the machine without correcting the problem may cause a fire or injuries.
- Insert the power plug securely into the outlet. Poor contact may cause overheating, resulting in fire or burns.
- To ensure the warning labels attached on the machine are visible and legible, install the machine in a well-lit location, and keep the labels clean at all times. Make sure the labels are not hidden behind other game machines.

9. OVERALL CONSTRUCTION

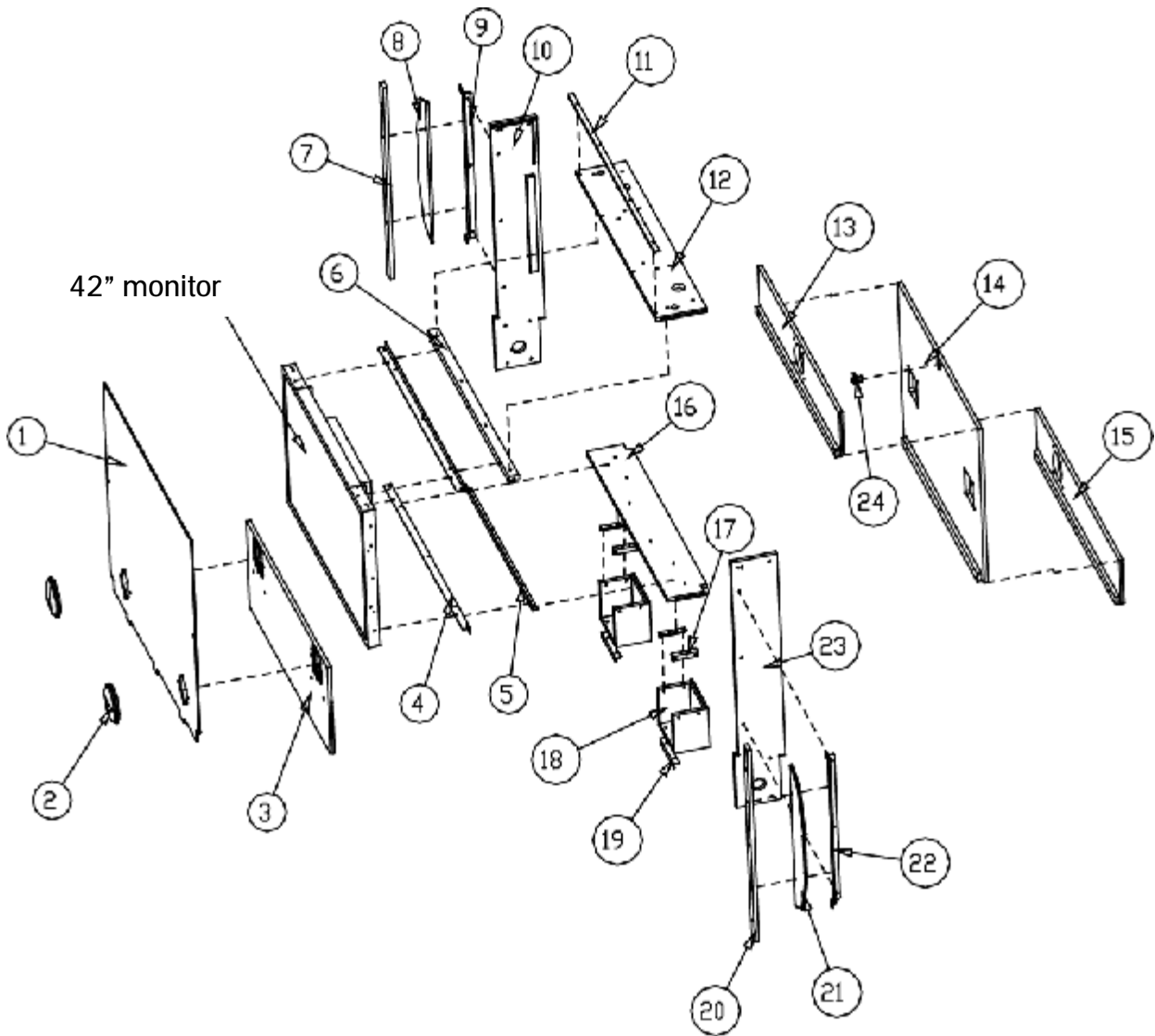
9.1 Mechanical Part

9.1.1 Storm Lantern:



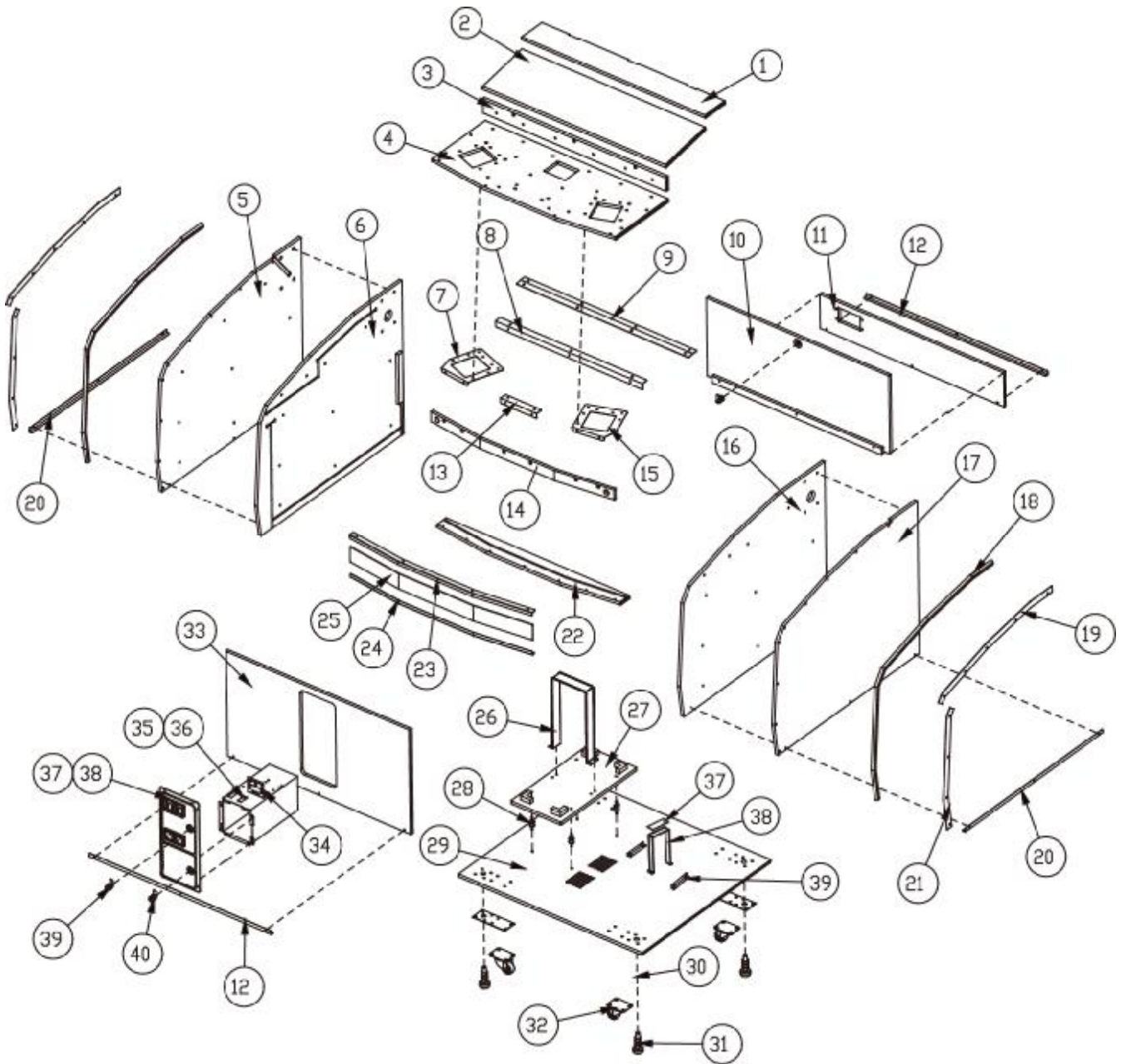
No.	Part No.	Draw No.	Name	Material	Qty
1	A107-101-000	20241216040	Storm lantern banner fixed board 1	Q235	2
2	A107-601-000	20641216003	Storm lantern banner 1	Silk	3
3	A107-102-000	20241216035	Storm lantern banner fixed board 2	Q235	2
4	A107-602-000	20641216002	Storm lantern banner 2	Silk	3
5	A107-103-000	22702000010	Exhaust fan net	4 inch	2
6	A107-104-000	20241216036	Spotlight stiffener board	Q235	4
7	A107-105-000	20241216037	Spotlight fixed base	Q235	4
8	A107-106-000	20241216043	Storm lantern fixed base	Q235	2
9	A107-107-000	20241216041	Lampstand light board fixed bracket	Q235	2
10	A107-603-000	20641216004	Lampstand transmittance plate	Acrylic	8
11	A107-108-000	20241216046	R-side lampstand base	Q235	1
12	A107-109-000	20241216045	R-side lampstand fixed board	Q235	1
13	A107-110-000	20241216044	Fan fixed base	Q235	1
14	A107-111-000	20241216038	Fan shell	Halftone	2
15	A107-501-000	20341216031	Marquee back board	MDF	1
16	A107-502-000	20341216030	Marquee back door board	MDF	1
17	A107-401-000	25300171001	Lock	171	1
18	A107-701-000	20541216A002	Marquee vacuum form	Acrylic	1
19	A107-112-000	20241216042	L-side lampstand base	Q235	1
20	A107-113-000	20241216039	L-side lampstand fixed board	Q235	1
21	A107-503-000	20341216033	Marquee platen	MDF	1
22	A107-114-000	20241216071	Marquee stiffener board	Metal	1

9.1.2 Monitor



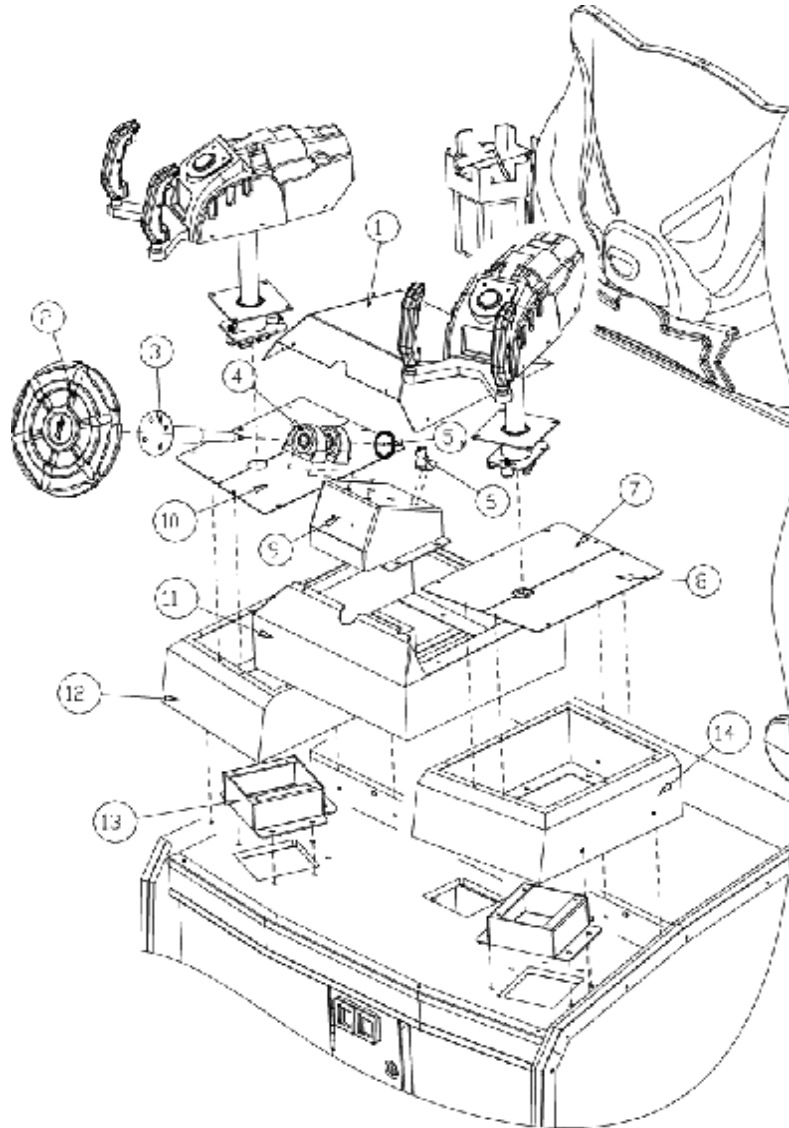
No.	Part No.	Draw No.	Name	Material	Qty
1	A107-702-000	20541216001	Monitor decal plate	Acrylic	1
2	A107-115-000	25900016000	4" speaker cover	PU1440 speaker cover(4 inch)	2
3	A107-504-000	20341216011	Speaker fixed board	MDF	1
4	A107-116-000	20241216011	Monitor connection board	Metal	2
5	A107-117-000	20241216013	Monitor fixed down board	Metal	1
6	A107-118-000	20241216012	Monitor fixed up board	Metal	1
7	A107-505-000	20341216027	R-side light fixed board	MDF	1
8	A107-703-000	20541216004	R-side light board	Acrylic	1
9	A107-119-000	20241216008	Side light fixed board	Q235	2
10	A107-506-000	20341216028	Monitor R-side board	MDF	1
11	A107-120-000	20241216003	Front decal platen	Q235	1
12	A107-506-000	20341216008	Wooden box top board	MDF	1
13	A107-507-000	20341216020	Monitor cooling fan fixed board	MDF	1
14	A107-508-000	20341216021	Monitor box door board	MDF	1
15	A107-509-000	20341216022	Wooden box middle board	MDF	1
16	A107-510-000	20341216010	Monitor fixed down board	MDF	1
17	A107-121-000	20241216058	Speaker connection board 1	Q235	4
18	A107-511-000	20341216035	Speaker	MDF	1
19	A107-122-000	20241216059	Speaker connection board 2	Q235	1
20	A107-512-000	20341216026	L-side light fixed board	MDF	1
21	A107-704-000	20541216003	L-side light board	Acrylic	1
22	A107-123-000	20241216008	Side light fixed board	Q235	2
23	A107-513-000	20341216009	Monitor L-side board	MDF	1
24	A107-401-000	25300171001	Lock	171	1

9.1.3 Down box:



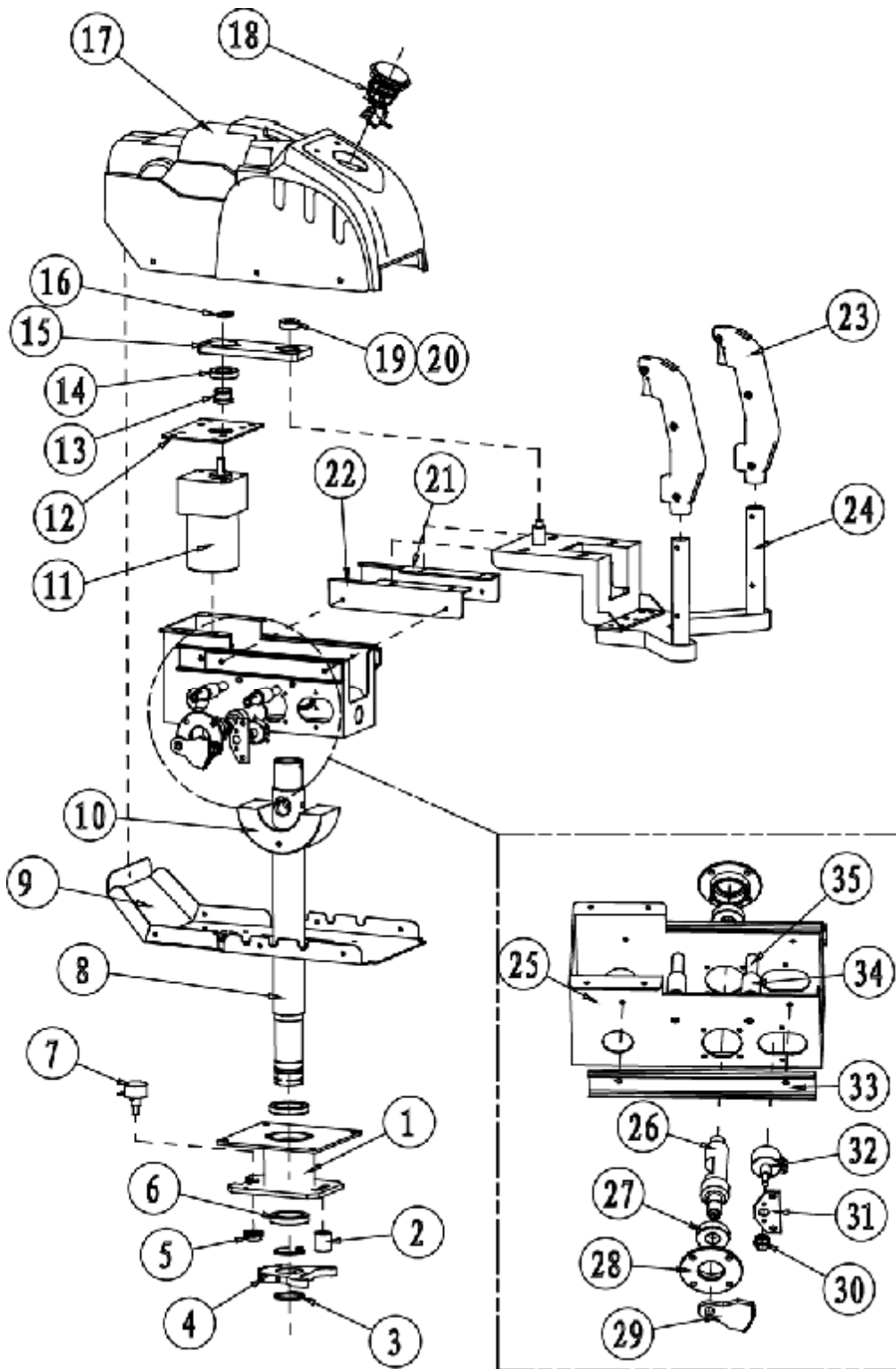
No.	Part No.	Draw No.	Name	Material	Qty
1	A107-514-000	20341216012	Operation rung	MDF	1
2	A107-515-000	20341216013	Operation cantboard	MDF	1
3	A107-516-000	20341216014	Operation cantboard support board	MDF	1
4	A107-517-000	20341216015	Operation install board	MDF	1
5	A107-518-000	20341216007	Wooden box R outer side board	MDF	1
6	A107-519-000	20341216006	Wooden box R inner side board	MDF	1
7	A107-124-000	20241216014	R gun fixed board	Metal	1
8	A107-125-000	20241216068	Operation cantboard stiffener plate	Q235	1
9	A107-126-000	20341216005	Control panel connection board	Metal	1
10	A107-520-000	20341216023	PC box door board	MDF	1
11	A107-521-000	20341216024	Power box fixed board	MDF	1
12	A107-127-000	20241216009	Front&back down T-molding	Q235	2
13	A107-128-000	20241216070	Control panel front reinforce board	Metal	1
14	A107-522-000	20341216017	Front light strip fixed board	MDF	1
15	A107-129-000	20241216067	L-gun fixed board	Metal	1
16	A107-523-000	20341216002	Wooden box L inner side board	MDF	1
17	A107-524-000	20341216001	Wooden box L outer side board	MDF	1
18	A107-604-000	20641216001	Light strip	Silica gel	2
19	A107-130-000	20241216002	Side light bar up platen	Q235	2
20	A107-131-000	20241216010	L&R down T-molding	Q235	2
21	A107-132-000	20241216001	Side light bar down platen	Q235	2
22	A107-525-000	20341216018	Operation down board	MDF	1
23	A107-133-000	20241216004	Front light strip up press board	Q235	1
24	A107-134-000	20241216005	Front light stand down platen	Q235	1
25	A107-605-000	20541216005	Operation bottom light strip	Acrylic	1
26	A107-135-000	20241216A001	DELL PC fixed bracket	Metal	1
27	A107-526-000	20341216A001	DELL PC fixed board	MDF	1
28	A107-136-000	26000012000	Shockproof screw A	Assembly	4
29	A107-527-000	20341216025	Wooden box bottom board	Plywood	1
30	A107-137-000	26000010000	2.5" caster bracket	Q235	4
31	A107-138-000	26000008000	2.5" leveler	Q235	4
32	A107-402-000	25501000056	2.5" caster		4
33	A107-528-000	20341216019	Coin door board	MDF	1
34	A107-139-000	26000016000	Double vertical coin door	Assembly	1
35	A107-140-000	26000025000	Coin inner box	Q235	1
36	A107-141-000	26000026000	Coin outer box	Q235	1
37	A107-611-000	20641216B001	UPS foam	δ3	1
38	A107-176-000	20241216B001	UPS fixed bracket	δ1.5	1
39	A107-177-000	20241216B002	UPS limited board	δ1.2	2

9.1.4 Control Panel



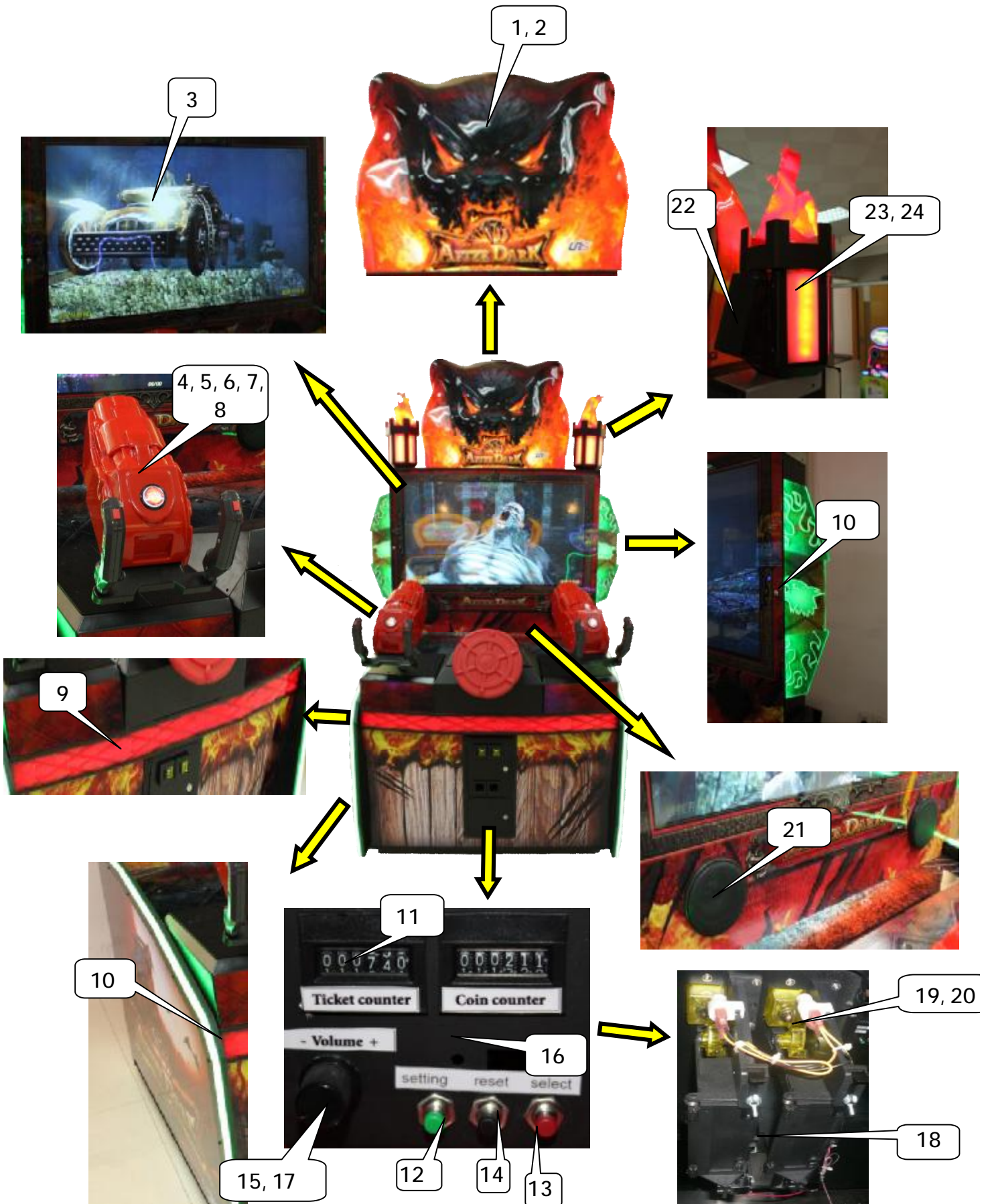
No.	Part No.	Draw No.	Name	Material	Qty
1	A107-142-000	20241216052	Steering wheel shell up cover	Q235	1
2	A107-606-000	20641216005	Rudder	PU	1
3	A107-143-000	20241216056	Steering column	Q235	1
4	A107-403-000	20106130015	Insert bearing		2
5	A107-144-000	20241216054	Rotary table	Metal	1
6	A107-145-000	20241216055	Sensor install base	Metal	1
7	A107-146-000	20241216050	L-side gun panel R cover board	Q235	1
8	A107-147-000	20241216049	Gun panel cover board	Q235	2
9	A107-148-000	20241216057	Steering wheel base	Q235	1
10	A107-149-000	20241216047	R-side gun panel L cover board	Q235	1
11	A107-150-000	20241216053	Steering wheel shell base	Q235	1
12	A107-151-000	20241216048	R-side gun panel base	Q235	1
13	A107-152-000	20241216006	Gun fixed base	Q235	2
14	A107-153-000	20241216051	L-side gun panel base	Q235	1

9.1.5 Gun

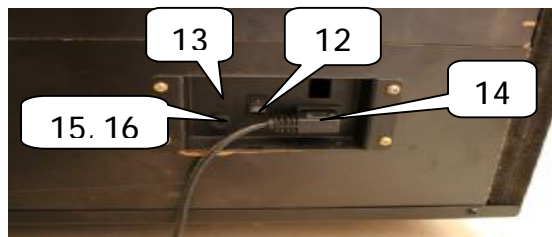
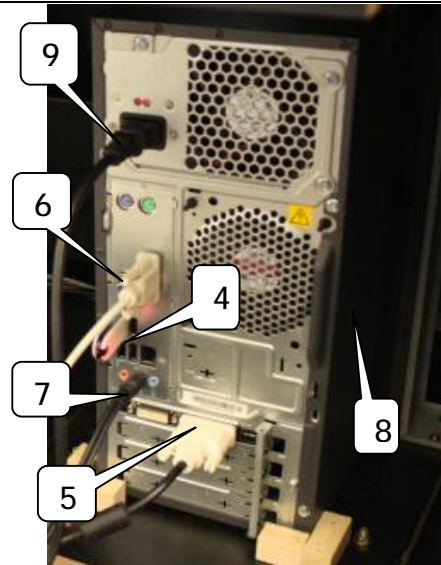
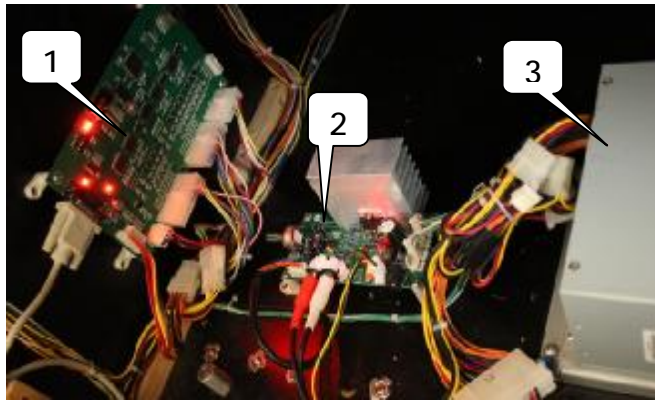


No.	Part No.	Draw No.	Name	Material	Qty
1	A107-154-000	20241123011	Engine base	Q235	1
2	A107-607-000	20641123001	Shock absorbing bush 1	Glue	1
3	A107-155-000	20105000024	A type washer	Q235	2
4	A107-156-000	20241123018	Gear 1	Q235	1
5	A107-157-000	20241123019	Gear 2	45	1
6	A107-404-000	20106000196	Deep groove ball bearing	61806-2Z	2
7	A107-405-000	22501000029	POT	5K POT	2
8	A107-158-000	20241123012	Horizontal bearing	Seamless tube Φ34x5.0	1
9	A107-159-000	20241216062	Gun base board	Q235	1
10	A107-608-000	20241123022	Guide pad	Nylon	1
11	A107-406-000	23404000073	DC motor	55ZY12-15-03	1
12	A107-161-000	20241123002	Motor board	Q235	1
13	A107-162-000	20241123016	Eccentric shaft	45	1
14	A107-407-000	20106000066	Deep groove ball bearing	61903ZZ	1
15	A107-163-000	20241123017	Connection board	Steel flat 8x45	1
16	A107-164-000	20105000035	A type washer	Q235	1
17	A107-609-000	20241216065	Gun shell	ABS	1
18	A107-408-000	22401030006	Button	Micro SW	1
19	A107-409-000	20106000013	Deep groove ball bearing	608	1
20	A107-165-000	20113000033	C level flat washer	Q235	1
21	A107-166-000	20241123004	R slide	Q235	1
22	A107-167-000	20241123003	L slide	Q235	1
23	A107-410-000	20841123001	Joystick	Gray	2
24	A107-168-000	20241216075	Gun joystick base	Q235	
25	A107-169-000	20241216064	Gun bracket	Q235	1
26	A107-170-000	20241123013	Vertical bearing	45	1
27	A107-411-000	20106000083	Deep groove ball bearing	6001ZZ	2
28	A107-171-000	20241123014	Bearing base	45	2
29	A107-172-000	20241123020	Gear 3	Q235	1
30	A107-173-000	20241123021	Gear 4	45	1
31	A107-174-000	20241123008	POT board	Q235	1
32	A107-412-000	22501000029	POT	5K POT	
33	A107-413-000	25105000007	Guide rail	Purchased part	2
34	A107-175-000	20241123015	Limit shaft	45	2
35	A107-610-000	20641123002	Shock absorbing bush 2	Glue	2

9.2 Electrical Parts



No.	Part No.	Code	Name	Spec.	Qty
1	A107-414-000	22006000018	T5 tube	120V	2
2	A107-415-000	23301000009	T5 tube connection line	L=30CM	2
3	A107-416-000	21201042002	42" monitor	LT42BN88	2
4	A107-417-000	22604000006	Monitor	BLM-S 3A-125/250VAC	2
5	A107-418-000	22401030006	Middle light button	White	
6	A107-419-000	22501000029	5K POT	RV24YN 20F B502	4
7	A107-420-000	21903000004	Fuse	GF300	2
8	A107-421-000	22604000011	Micro SW	5A 125-250VAC	4
9	A107-422-000	22002013006	LED light strip	DC12V 3528LED red	1
10	A107-423-000	22002013009	LED light strip	DC12V 3528LED green	4.2
11	A107-424-000	23000000006	Meter	C-012 12VDC 18CPS	1
12	A107-425-000	22402030001	Button	DS-316 green	1
13	A107-426-000	22402010001	Button	DS-316 red	1
14	A107-427-000	22402050001	Button	PB:11C02R black	1
15	A107-428-000	22403000001	POT knob	Black	1
16	A107-429-000	21709000002	POT connection board	VR.PCB	1
17	A107-430-000	22501000006	POT	10K	1
18	A107-431-000	22301000007	Coin mech	TW-800	2
19	A107-432-000	22003000006	LED bulb	LED(12V) bulb	4
20	A107-433-000	22201000042	Coin door light bracket	2808 white	2
21	A107-434-000	22801000005	Speaker	4" 15W	2
22	A107-435-000	23401000022	DC12V blower	XW1232H12B 1.0A	2
23	A107-436-000	29741216001	LED light board	LED48NC.PCB (red)	8
24	A107-437-000	22004010003	MR16 LED light cup	MR16-DC12V 3×1W red	4



No.	Part No.	Code	Name	Spec.	Qty
1	A107-438-000	20741216002	I/O board	After Dark STD	1
2	A107-439-000	22803000031	2.0 amplifier	GOODCORE-25WD	1
3	A107-440-000	21602000001	Power box	BTX-3039(110V/220V)	1
4	A107-441-000	20741216001	USB	After Dark STD	1
5	A107-442-000	23307000015	DVI-DVI Audio cable	DVI-DVI(2m)	1
6	A107-443-000	23303000002	Serial cable	DB9F-DB9F(1.5)	1
7	A107-444-000	23305000003	Stereo audio cable	3.5 1.8M	1
8	A107-445-000	21101000016A	Dell PC	M4369	1
9	A107-446-000	23301050001	Power cord	3×0.75mm 1m	3
10	A107-447-000	22702000010	Exhaust fan net	4"	4
11	A107-448-000	22702000020	Exhaust fan	4"220V	2
12	A107-449-000	22601000005	Small rocker SW	T125/55	1
13	A107-450-000	21412000001	Terminal	10A/15A/250V Black	1
14	A107-451-000	23200000001	Filter	10SS1-PB 115/250V10A	1
15	A107-452-000	21902000006	Fuse base	R3-11 110V/250V/10A	1
16	A107-453-000	21901000012	Fuse	Φ5×20mm T5A 250VAC	1
17	A107-454-000	21603000043	UPS power supply	BNT-600AP I/O	1

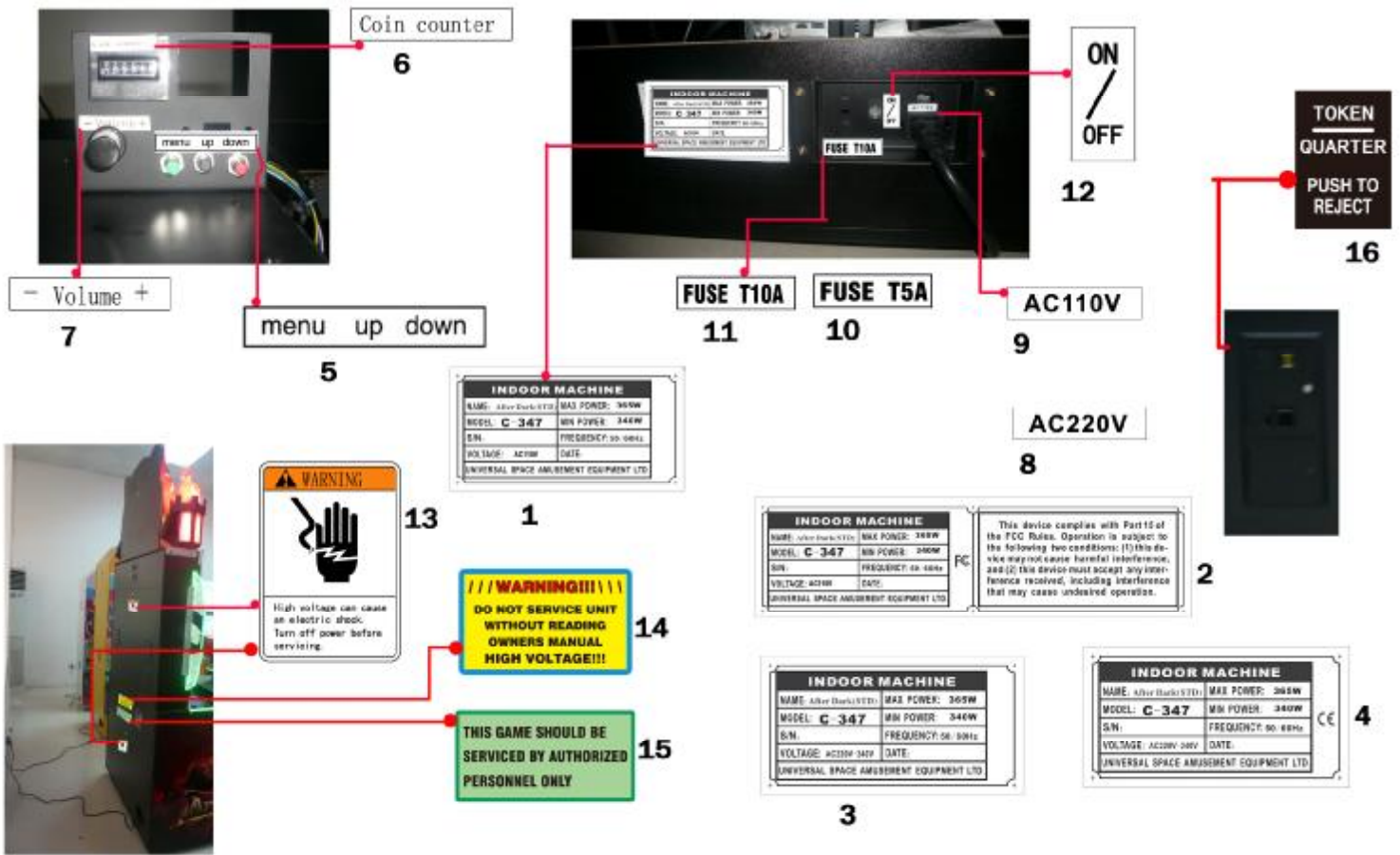
10. DECALS

Front:

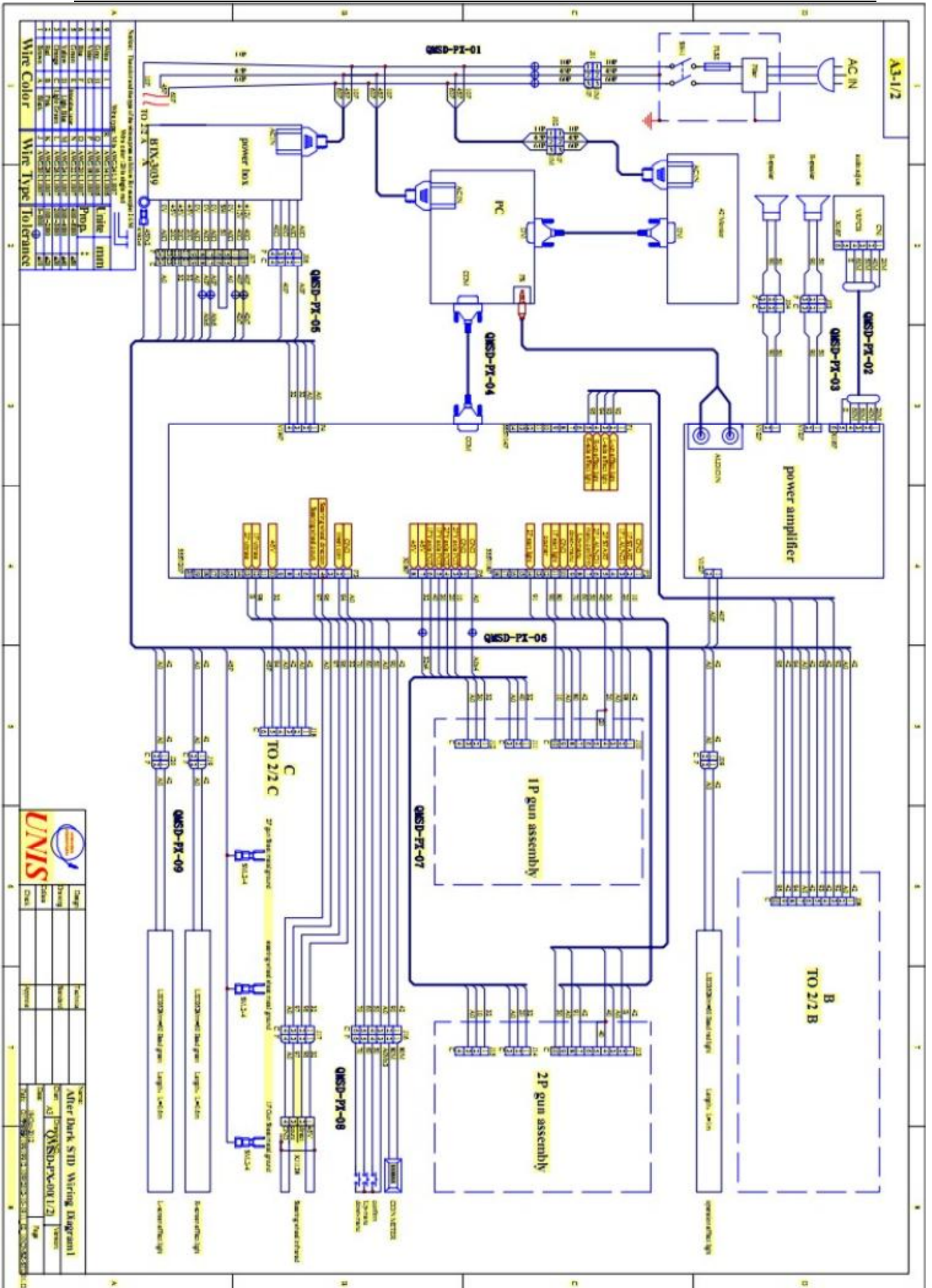


No.	Part No.	Code	Name	Material	Qty
1	A107-701-000	20541216A001	Monitor decal	δ5 plexi	1
2	A107-702-000	20541216A002	Marquee vacuum form	δ3 plexi	1
3	A107-703-000	20541216003	L-side light board	δ10 plexi	1
4	A107-704-000	20541216004	R-side light board	δ10 plexi	1
5	A107-705-000	20541216005	Control panel light strip	δ3 plexi	1
6	A107-706-000	20541216A003	Star button	PVC100u	2
7	A107-707-000	20541216007	Gun panel front L decal	PVC100u	1
8	A107-708-000	20541216008	Gun panel front R decal	PVC100u	1
9	A107-709-000	20541216009	Coin door board	PVC100u	1
10	A107-710-000	20541216010	Control panel middle decal	PVC100u	1
11	A107-711-000	20541216A004	Wooden box L-side decal	PVC100u	1
12	A107-712-000	20541216A005	Wooden box R-side decal	PVC100u	1

Back:



No.	Part No.	Code	Name	Spec.	Qty
1	A107-713-000	20541216B007	Non-certification 110V nameplate	PVC	1
2	A107-713-000	20541216B008	Certification 110V nameplate	PVC	1
3	A107-714-000	20541216B009	Non-certification 220V nameplate	PVC	1
4	A107-715-000	20541216B010	Certification 220V nameplate	PVC	1
5	A107-716-000	20541216A010	Menu label	PVC100u	1
6	A107-717-000	25601000001	Coin meter	PVC100u	1
7	A107-718-000	25601000003	Volume label	PVC100u	1
8	A107-719-000	25600000041	Label 220V	PVC100u	1
9	A107-720-000	25600000040	Label 110V	PVC100u	1
10	A107-721-000	25601000011	Fuse T5A	PVC100u	1
11	A107-722-000	25601000014	Fuse T10A	PVC100u	1
12	A107-723-000	25601000016	Power SW label A	PVC100u	1
13	A107-724-000	25601000037	High voltage warning(large)	PVC100u	2
14	A107-725-000	25600000067	Maintenance notice label	PVC100u	1
15	A107-726-000	25600000042	Maintenance information label 1	PVC100u	1
16	A107-727-000	25600000023	Coin mech. identify B	ø 0.2 label	2



After Dark STD Wiring Diagram
 QMSD-PX-001/2
 Rev. 1.0

